

E500RM9

5" ARM A73 + A53 Rugged Handheld Computer



KEY FEATURES

- 5" 1280 x 720 Resolution
- ARM A73 x 4 (2.0 GHz) + A53 x 4 (2.0 GHz)
- IP65 waterproof and dustproof
- Optional 1D/2D Barcode Reader and Fingerprint Reader for data collection
- Rated for extreme temperature use
- Optional NFC function

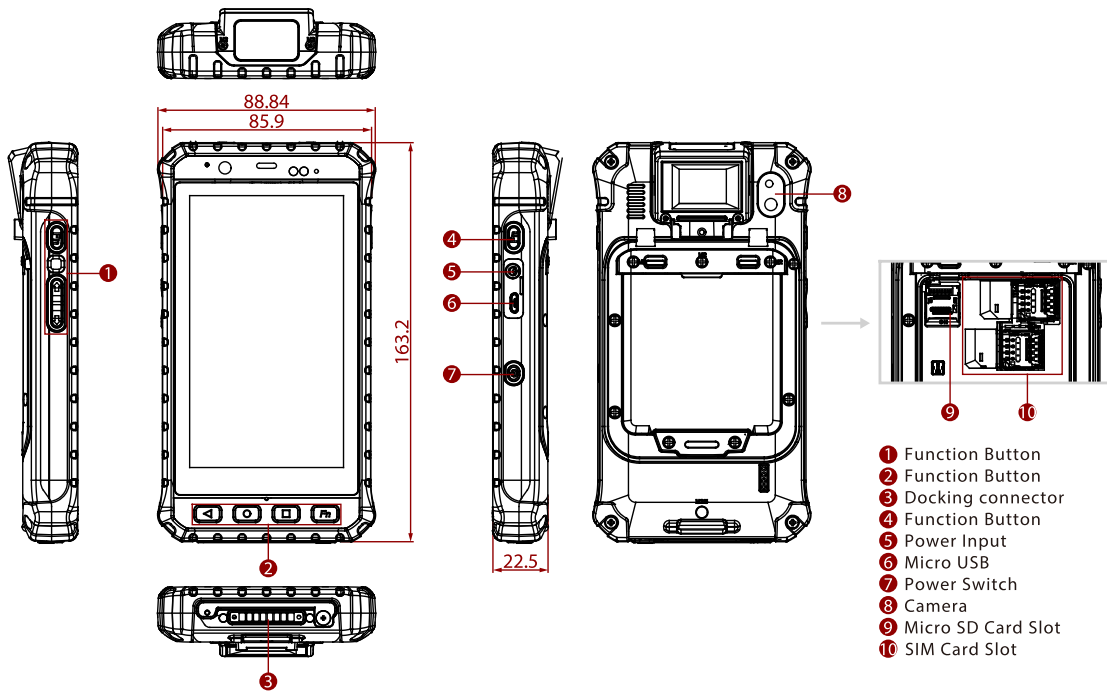


SPECIFICATIONS

Display			
Resolution	1280x720	Size	5 inches
Contrast Ratio	800:1	Panel Brightness	500 nits
View Angles	80,80,80,80	Type	Projected Capacitive Multi Touch
Touch Mode	Support Hand / Gloves and Rain Mode	Bonding	Optical Bonding for Sunlight Viewability
System Specification			
Processor	ARM A73 x 4 (2.0 GHz) + A53 x 4 (2.0 GHz)	Memory	4GB
Storage	64GB	Operating System	Android 11.0
WLAN	Support	BT	Support
WWAN	4G/LTE (Optional)	GNSS	GPS/AGPS
RFID	NFC (Read / Write, Peer to Peer mode) (Optional)	Sensors	Ambient Light Sensor, E-Compass, Gyro, Acceleration Sensors
Smart Card Reader	ISO7816 Part 1.2.3 Smart Card Reader (Optional)	Fingerprint Scanner	Fingerprint Reader (Optional)
Camera			
Front Camera	8MP Camera	Rear Camera	13MP Camera with LED Auxiliary Light (Auto Focus)
Mechanical			
Dimension	85.9 x 163.2 x 22.5 mm	Weight	315g
IO Ports			
USB Port	1 x Micro USB OTG	SD Card Slot	1 x Micro SD Card Slot
SIM Card Slot	2 x SIM Card Slot	Audio	1 x Audio Combo connector (Mic in or Line Out) 2 x Built-in Mic 1 x Speaker 1 x Receiver
Indicator	1 x LED Indicators (Power, Battery)	Docking Connector	1 x Docking Connector
Environment			
Operating Humidity	10% to 95% RH, NonCondensing	Operating Temperature	-10°C to 50°C (Battery mode)
Storage Temperature	-30°C to 70°C	Shock	MIL-STD-810H Method 516.6 Procedure I
Vibration	MIL-STD-810H Method 514.8 Procedure I	IP rating	IP65

Drop	MIL-STD-810H Method 516.6, 4 ft		
Certification			
Certification	CE, FCC		
Control			
Button	1 x Volume +/-, 1 x Power Button, 3 x Function Button, 1 x Home, 1 x Menu, 1 x Esc		
Power			
Battery	3.7V 3900mAh Hotswappable Function (Optional)	Battery Operating Time	20Hr
Power Rating	5V	Adapter	5V 2A Adapter
Security Function			
SOTI MobiControl	SOTI MobiControl Compliance		
Accessory			
Accessory	Power Plug (Based on Customer's Country) Hand Strap Battery	Optional Accessory	Micro SD Card Charging Dock 2 bay Charging Dock 6 bay Battery Charging Dock 2 bay Battery Charging Dock 6 bay Micro USB Cable
Barcode Scanner			
Barcode Scanner	1D/2D Barcode Reader (Optional)		

DIMENSIONS UNIT:MM



NOTE

1. Total usable memory will be less dependent upon actual system configuration.
2. The barcode reader and front camera are mutually exclusive options.
3. Computrace theft protection is available upon request.
4. Length measurements do not include protrusions. Weight varies with options and a digitizer pen.
5. Measured at dimming LCD brightness. Varies depending on the usage conditions, or when an external device is attached.
6. Accessories and integrated options may vary depending on your configuration.
7. This is a simplified drawing, and some components are not marked in detail.
8. The product shown in this datasheet is a standard model. For diagrams that contain customized or optional I/O, please contact the Winmate Sales Team for more information.

Assured Systems

Assured Systems is a leading technology company with over 1,500 regular clients in 80 countries, deploying over 85,000 systems to a diverse customer base in 12 years of business. We offer high-quality and innovative rugged computing, display, networking and data collection solutions to the embedded, industrial, and digital-out-of-home market sectors.

US

sales@assured-systems.com

Sales: +1 347 719 4508
Support: +1 347 719 4508

1309 Coffeen Ave
Ste 1200
Sheridan
WY 82801
USA

EMEA

sales@assured-systems.com

Sales: +44 (0)1785 879 050
Support: +44 (0)1785 879 050

Unit A5 Douglas Park
Stone Business Park
Stone
ST15 0YJ
United Kingdom

VAT Number: 120 9546 28
Business Registration Number: 07699660