

NIFE 105

Intel® Atom™x5-E3930 Dual Core Factory Automation Fanless System
with Palm Size form Factor



Product Overview

NEXCOM's NIFE product line comes in a range of form factors and processor configurations including Intel® Atom™ and Intel Core processors to suit different application requirements. For NIFE 105, it positions itself at the entry level of fieldbus controller, and suitable for M2M communication gateway and data server applications. Boosted by Intel® latest Atom™ x5-E3930 Processor and the palm size form-factor, NIFE 105 is the most suitable entry level automation system which satisfying the needs of steady system performance and installation in gateway field or a small controller cabinet.

NIFE 105 meets PLCopen® specifications and allows easy control programming via Softlogic Tool Kit. Using libraries of reusable logic and motion functionality, control schemes can be developed with reduced programming efforts for fast deployment of SoftPLC controller and M2M gateway.

Specifications

CPU Support

- Onboard Intel® Atom™ x5-E3930 processor Dual Core 1.8GHz

Main Memory

- On-board type 4GB DDR3L RAM
 - Un-buffered and non-ECC

Display Output

- 1 x HDMI display

I/O Interface-Front

- 2 x Intel® I210IT GbE LAN ports; support WoL, teaming and PXE
- 4 x USB 3.0 (900mA)
- 1 x External SD card slot (data storage only)
- 1 x Power/1x HDD access LEDs
- 1 x Battery low/1x GPIO programming LED
- 2 x Tx/Rx LEDs
- 1 x ATX power on/off switch

I/O Interface-Top

- 1 x Remote switch/1 x S3
- 1 x SIM card slot
- 1 x RTC battery socket

I/O Interface-Bottom

- 2 x DB9, support RS232/422/485 with Auto Flow Control
- 1 x Optional DB9, support 4 x GPI and 4 x GPO

Storage Device

- Onboard 16GB eMMC
- Optional mSATA module

Power Requirement

- Power input: typical +24VDC ±20%
- 1 x Optional 24V, 60W power adapter

Dimensions

- 46.2mm (W) x 100mm (D) x 120mm (H)

Construction

- Aluminum and Metal Chassis with front access design

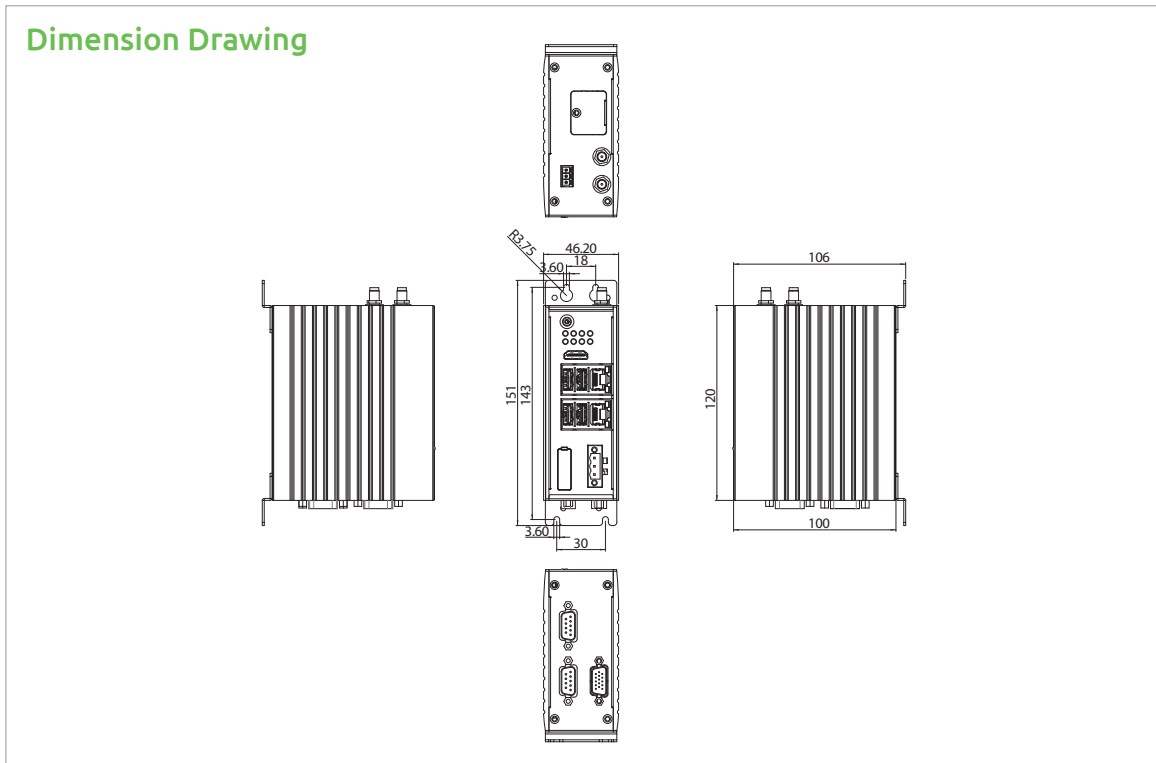
Environment

- Operating temperature:
 - Ambient with air flow: -5°C to 55°C
 - (according to IEC60068-2-1, IEC60068-2-2, IEC60068-2-14)
- Storage temperature: -20°C to 75°C
- Relative humidity: 10% to 93% (non-condensing)
- Shock protection:
 - mSATA/eMMC: 50G, half sine, 11ms, IEC60068-27
- Vibration protection w/ mSATA or eMMC condition:
 - Random: 2Grms @ 5~500 Hz, IEC60068-2-64
 - Sinusoidal: 2Grms @ 5~500 Hz, IEC60068-2-6

www.nexcom.com



Dimension Drawing



Certifications

- CE approval
 - EN61000-6-2
 - EN61000-6-4
- FCC Class A

Support OS

- Windows* 10 Enterprise (64-bit)

Ordering Information

- NIFE 105 system (P/N: 10J70010500X0)
- 24V, 60W AC/DC power adapter w/o power cord (P/N: 7400060033X00)

Assured Systems

Assured Systems is a leading technology company with over 1,500 regular clients in 80 countries, deploying over 85,000 systems to a diverse customer base in 12 years of business. We offer high-quality and innovative rugged computing, display, networking and data collection solutions to the embedded, industrial, and digital-out-of-home market sectors.

US

sales@assured-systems.com

Sales: +1 347 719 4508
Support: +1 347 719 4508

1309 Coffeen Ave
Ste 1200
Sheridan
WY 82801
USA

EMEA

sales@assured-systems.com

Sales: +44 (0)1785 879 050
Support: +44 (0)1785 879 050

Unit A5 Douglas Park
Stone Business Park
Stone
ST15 0YJ
United Kingdom

VAT Number: 120 9546 28
Business Registration Number: 07699660