



Industrial Solutions Partner!

**SSF/SSH6740-I V1**

**67.4" Resizing LCD, 2000 nits LED backlight, 3840 x 1076 ultra-wide aspect ratio 16:4.4**

The **SSF/SSH6740-I** is a 67.4 inch color TFT-LCD display with special aspect ratio 16:4.4 and wide resolution 3840 x 1076. It is Litemax's Spanpixel series product which designed for high brightness 2000 nits with power efficiency LED backlight. It provides LCD panel with specific aspect ratios and sunlight readable for digital signage, public transportation, exhibition hall, department store, and vending machine.

**Key Features**

- Resizing LCD
- Ultra-Wide Screen (16 : 4.4)
- High Brightness 2000 nits
- Sunlight Readable
- LED Backlight
- BL MTBF: 100,000 hours



**Specifications**

<b>Model Name</b>	<b>SSF/SSH6740-I V1</b>
<b>Description</b>	67.4" Resizing LCD, 2000 nits LED backlight, 3840x1076
<b>Screen Size</b>	67.4"
<b>Display Area (mm)</b>	1650.240(H) x 462.680(V)
<b>Brightness</b>	2000 cd/m <sup>2</sup>
<b>Resolution</b>	3840x1076
<b>Aspect Ratio</b>	16 : 4.4
<b>Contrast Ratio</b>	5600 : 1
<b>Pixel Pitch (mm)</b>	0.430(H) x 0.430(V)
<b>Pixel Per Inch (PPI)</b>	59
<b>Viewing Angle</b>	178°(H), 178°(V)
<b>Color Saturation (NTSC)</b>	84%
<b>Display Colors</b>	1.07G
<b>Response Time (Typical)</b>	9.5ms
<b>Panel Interface</b>	V-by-One
<b>Input Interface</b>	DVI-D, HDMI, DP
<b>Input Power</b>	AC100~240V
<b>Power Consumption</b>	262W, 271W (with AD board)
<b>OSD Key</b>	5 Keys (Power Switch, Menu, +, -, Exit)
<b>OSD Control</b>	Brightness, Color, Contrast, Auto Turing, H/V Position...etc
<b>Dimensions (mm)</b>	1696.3 x 497 x 28.2
<b>Bezel Size(U/B/L/R)</b>	17.16/17.16/23.03/23.03 mm
<b>Weight (Net)</b>	19.3 kg
<b>Operating Temperature</b>	0 °C ~ 50 °C
<b>Storage Temperature</b>	-20 °C ~ 60 °C

**SSF**= Panel + LED Driving Board

**SSH**= Panel + LED Driving Board + AD Control Board

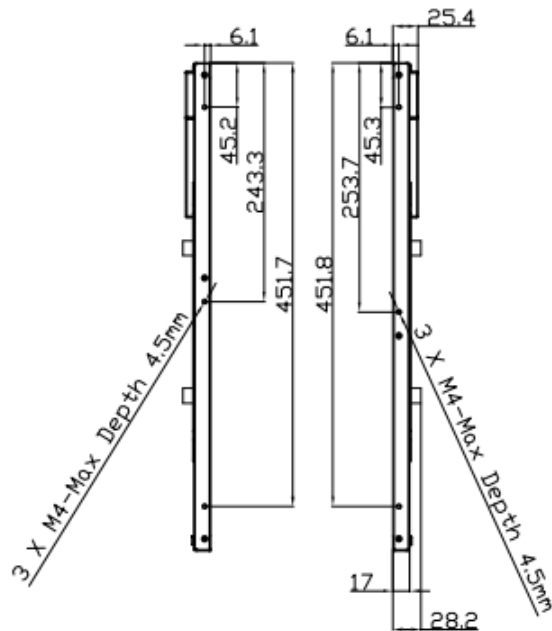
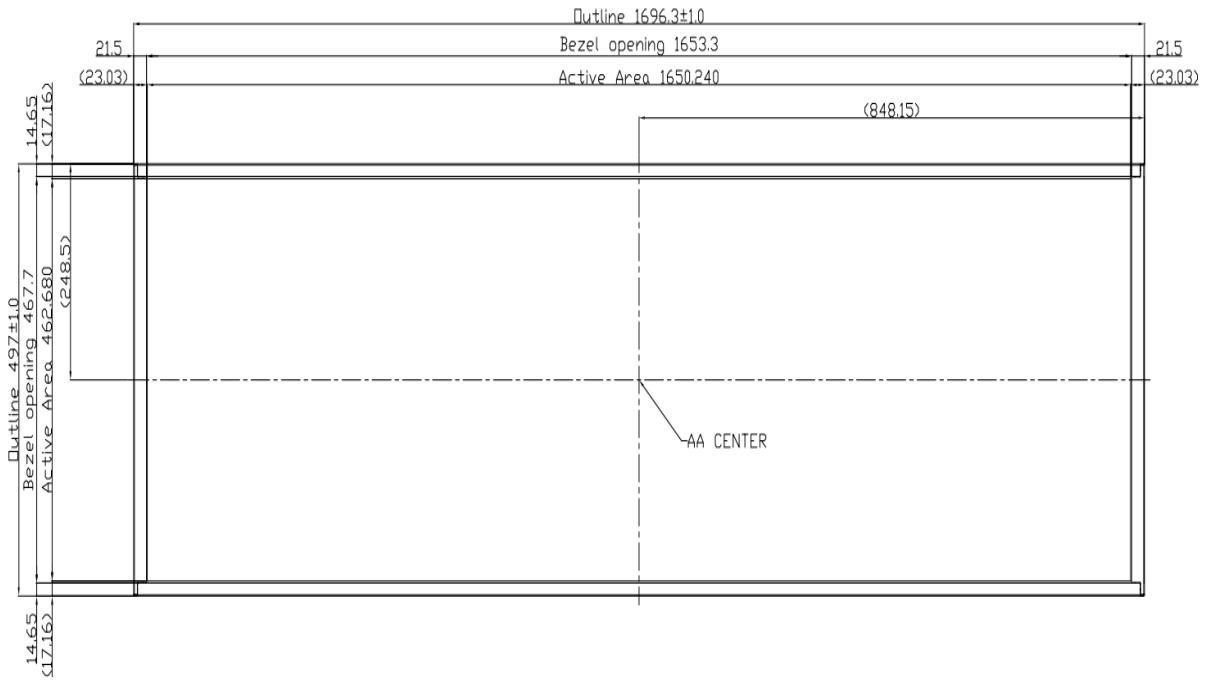
Specifications are subject to change without notice.  
All brands or product names are trademarks or registered trademarks of their respective companies.

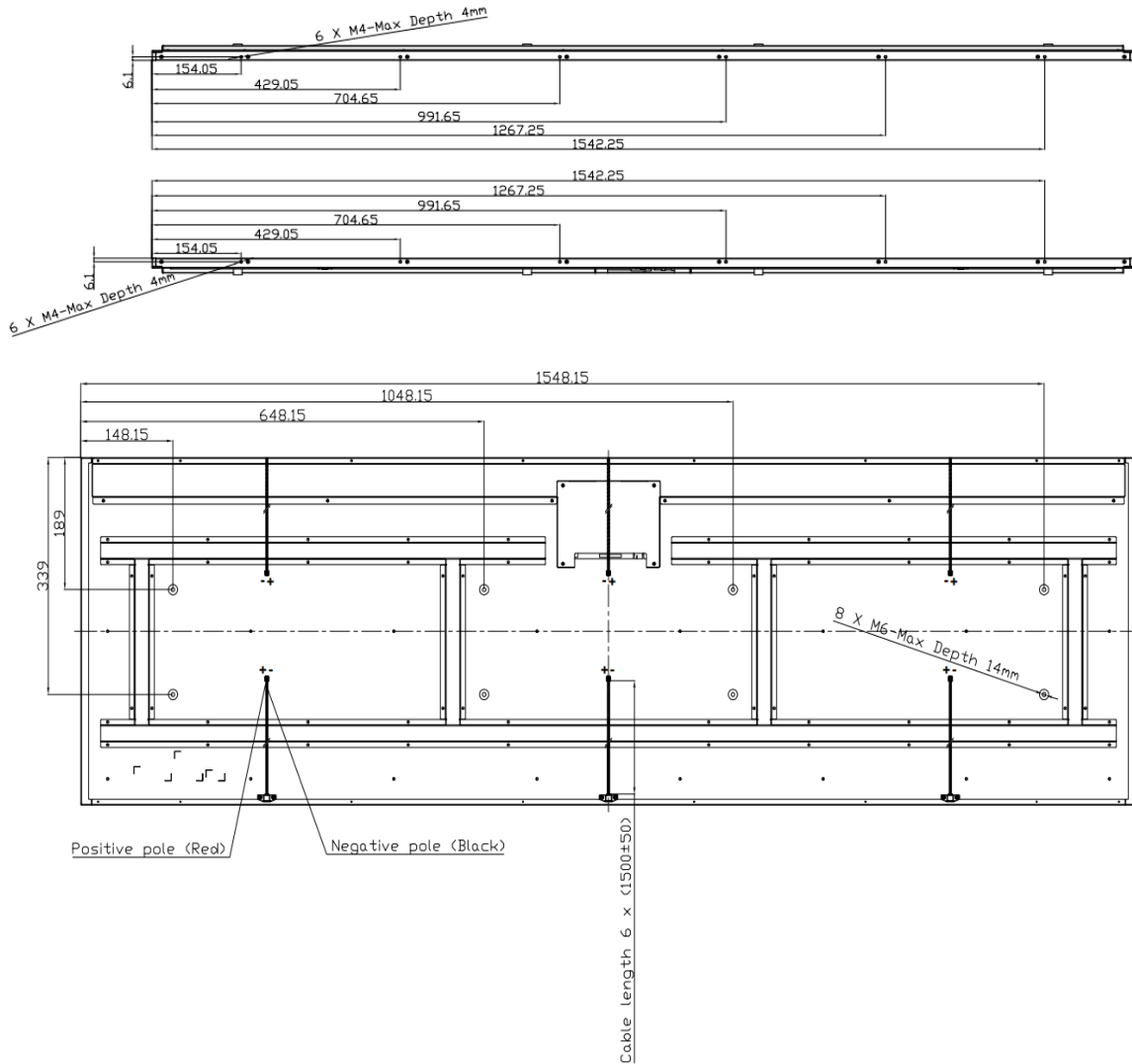


**Mechanical Drawing**

Outline Dimensions

Unit: mm





**Note :**

1. Tolerance is  $\pm 0.5\text{mm}$  unless noted.
2. "(     )" marks the reference dimension.



Industrial Solutions Partner!

**Ordering Information**

Part Number	Description
SSF6740-INU-A01	67.4",2000nits,3840X1076,LID67C,V1
SSH6740-INU-N01	67.4",2000nits,3840X1076,LID67C,AD2796DHP,AC100~240V,V1

**Optional Accessories**

Part Number	Description
810618301010	CABLE,POWER,AC,1830mm USA type
810618301090	CABLE,POWER,AC,1830mm Europe type
810618301050	CABLE,POWER,AC,1830mm UK type
810618301170	CABLE,POWER,AC,1830mm Australia type
810618301031	CABLE,POWER,AC,1830mm Japan type

**By Customer Request**

Glass	Tempered glass, AR coating.....
-------	---------------------------------



## Assured Systems

Assured Systems is a leading technology company with over 1,500 regular clients in 80 countries, deploying over 85,000 systems to a diverse customer base in 12 years of business. We offer high-quality and innovative rugged computing, display, networking and data collection solutions to the embedded, industrial, and digital-out-of-home market sectors.

### US

[sales@assured-systems.com](mailto:sales@assured-systems.com)

Sales: +1 347 719 4508  
Support: +1 347 719 4508

1309 Coffeen Ave  
Ste 1200  
Sheridan  
WY 82801  
USA

### EMEA

[sales@assured-systems.com](mailto:sales@assured-systems.com)

Sales: +44 (0)1785 879 050  
Support: +44 (0)1785 879 050

Unit A5 Douglas Park  
Stone Business Park  
Stone  
ST15 0YJ  
United Kingdom

VAT Number: 120 9546 28  
Business Registration Number: 07699660