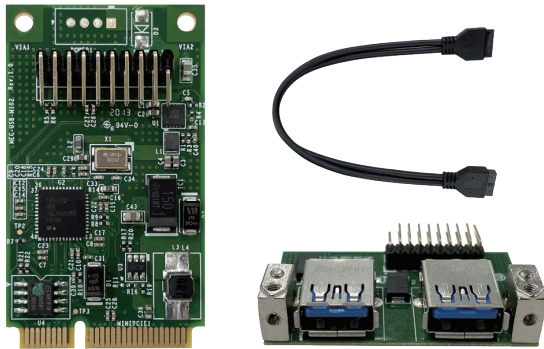


MEC-USB-M102

Mini-PCle Module with 2x USB3.2 Gen1 Ports



- MEC (Mini PCIe Expansion Card) Technology
- 2x Super-speed USB Ports Expansion
- Support Hot-Swapping function

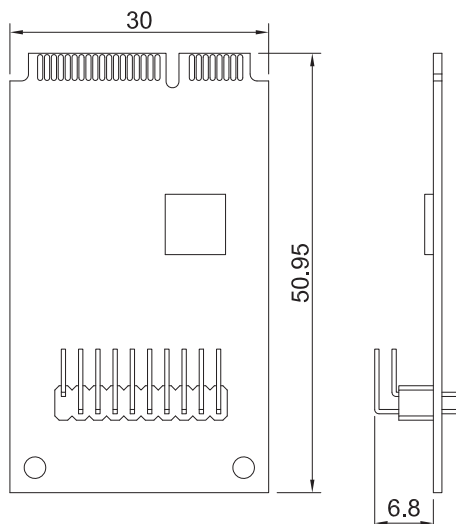


Specifications

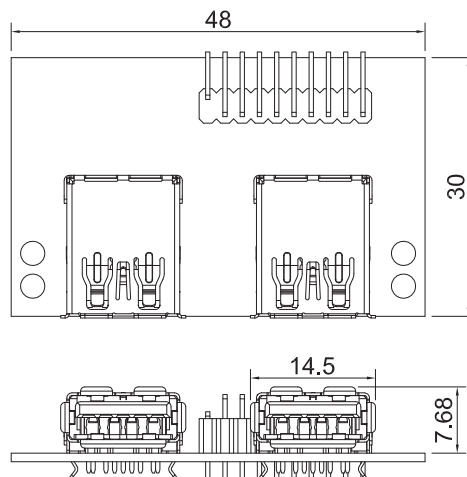
USB Port	2x USB3.2 Gen1 Ports
Connector Type	Standard A Type
Data Transfer Rate	1.5 / 12 / 480 / 5000Mbps
Power Consumption	Maximum 5V @ 900 mA Per Port
Dimension (W x D x H)	30.00 x 50.95 mm
Operating System	Windows® 10, Windows® 8, Windows® 7
Certification	CE, FCC Class A

Dimensions

Mini PCIe Card



USB I/O Card



Unit: mm

Ordering Information

Available Models

Model No.	Description
MEC-USB-M102 -30	Mini-PCIe Module with 2x USB 3.0 Ports, 2x 30cm cable

Package Checklist

• Mini PCIe Card x1	• USB Signal Cable x1
• USB I/O Card x1	• Quick Installation Guide x1
• Standard Full Height Bracket with 2x USB Cutout x1	• Screw Pack x1

Compatible List

Model No.	MEC-USB-M102-30
DE-1001	V
DE-1002	V
DS-1400 Series	V
DS-1300 Series	V
DS-1200 Series	V
DS-1100 Series	V
DV-1000	V
GM-1000	V
GP-3000	V
P1001E	V
P2000 Series	V
P2102E	V
P2202	V

Updated: Aug. 31, 2023.

© Cincoze Co., Ltd. All Rights Reserved. Specifications subject to change without notice. All product names, logos, and brands are the property of their respective owners. All company, product and service names used in this document are for identification purposes only. The use of these names, logos, and brands does not imply endorsement.

Assured Systems

Assured Systems is a leading technology company with over 1,500 regular clients in 80 countries, deploying over 85,000 systems to a diverse customer base in 12 years of business. We offer high-quality and innovative rugged computing, display, networking and data collection solutions to the embedded, industrial, and digital-out-of-home market sectors.

US

sales@assured-systems.com

Sales: +1 347 719 4508
Support: +1 347 719 4508

1309 Coffeen Ave
Ste 1200
Sheridan
WY 82801
USA

EMEA

sales@assured-systems.com

Sales: +44 (0)1785 879 050
Support: +44 (0)1785 879 050

Unit A5 Douglas Park
Stone Business Park
Stone
ST15 0YJ
United Kingdom

VAT Number: 120 9546 28
Business Registration Number: 07699660