

STM-602C Series

Industrial Modbus TCP (Two Ethernet Ports) to Two Serial (232,422,485) RTU/ASCII Gateway



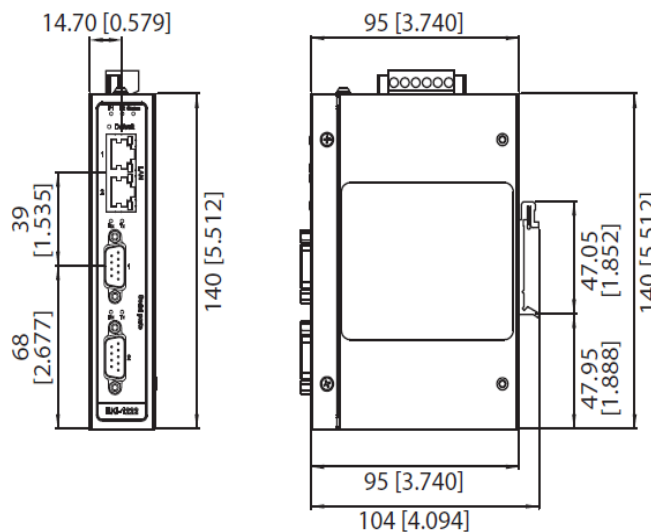
Features

- ▶ 2*10/100 Mbps Ethernet Ports for LAN Redundancy
- ▶ Integrates Modbus TCP and Modbus RTU/ASCII Networks
- ▶ Supports up to 921.6 kbps and Any Baud Rate Setting
- ▶ Supports up to 16 connections per Serial Port Under Modbus Master Mode and 32 Sessions Under Modbus Slave Mode
- ▶ Software-selectable RS-232/422/485 Communication
- ▶ Automatic RS-485 Data Flow Control
- ▶ Redundant Power Input: 12~48VDC
- ▶ Power Polarity Reverse Protection
- ▶ Overload Current Protection
- ▶ DIN-Rail or Wall Mountable
- ▶ Standard and Wide Temperature Models
- ▶ 5-Year Warranty

INTRODUCTION

Antaira Technologies' STM-602C series is an industrial MODBUS gateway that allows legacy MODBUS RTU/ASCII devices to operate on a MODBUS TCP network. It can be configured for either MODBUS serial master or slave to communicate with MODBUS TCP's slave or master. The STM-602C series features two independent Ethernet ports and MAC addresses to provide redundancy and reliability. These devices provide an economical way of connecting MODBUS RTU/ASCII devices to networks accessible anywhere in the world.

DIMENSIONS



SPECIFICATIONS

Ethernet Technology		Power Requirement	
Standards	IEEE 802.3 10Base-T Ethernet IEEE 802.3u 100Base-TX Fast Ethernet	Input Voltage	12 to 48VDC, Redundant Inputs
Processing Type	Store and Forward	Power Connection	Terminal block
Protocol	CSMA/CD	Reverse Polarity Protection	Present
No. of Ports	2 with independent IP and MAC addresses	Overload Current Protection	Present
Serial Technology		Power Consumption	3.2 W
Port Type	RS-232/422/485, software selectable	Environmental Limits	
No. of Ports	2 – DB9 male	Operating Temperature	STD: -10 ~ 60 °C (14 ~ 140 °F) EOT: -40 ~ 70 °C (-40 ~ 158 °F)
Data Bits	5, 6, 7, 8	Storage Temperature	-40 ~ 85 °C (-40 ~ 185 °F)
Stop Bits	1, 2	Ambient Relative Humidity	5% to 95%, (non-condensing)
Parity	None, Odd, Even, Space, Mark	Regulatory Approvals	
Flow Control	XON/XOFF, RTS/CTS	EMC	CE, FCC Part 15 Subpart B (Class A)
Baud Rate	50 bps ~ 921.6 kbps, any baud rate setting	Hazardous location	UL/cUL (Class I, Division 2, Groups A, B, C and D)
Serial Signals	RS-232: TxD, RxD, CTS, RTS, DCD, RI, GND RS-422: TxD+, TxD-, RxD+, RxD-, GND RS-485: Data+, Data-, GND	Green Warranty	RoHS Compliant 5 Years
Protection Interface	15 KV ESD for all signals	Software	
Ethernet Port	2*10/100T(X) auto negotiation speed, Full/Half duplex mode, and auto MDI/MDI-X connection	OS Support	32-bit/64-bit Windows XP/Vista/7/8/8.1/10, Windows Server 2003/2008/2008 R2/2012/2012 R2
LED Indicators	Link / Act	Utility Software	Antaira Device Configuration Utility
General		Operation Modes	Modbus RTU Master/Slave mode Modbus ASCII Master/Slave mode
LED Indicators	System: Power, System Status LAN: Speed, Link/Active Serial: Tx, Rx	Configuration	Windows Utility, Telnet Console, Web Browser
Reboot Trigger	Built-in WDT (watchdog timer)	Protocols	ICMP, IP, TCP, UDP, BOOTP, DHCP, Auto IP, SNMP, HTTP, DNS, SMTP, ARP, NTP
Mechanical Characteristics			
Housing	Metal with solid mounting hardware		
Dimensions	37 x 140 x 95 mm (1.46" x 5.51" x 3.74")		
Weight	1.06 LBS (0.48 Kg)		
Mounting	DIN-Rail mounting, Wall mounting		

ORDERING INFO

STM-602C	Industrial Modbus TCP (two Ethernet port) to two Serial (232,422,485) RTU/ASCII Gateway
STM-602C-T	Industrial Modbus TCP (two Ethernet port) to two Serial (232,422,485) RTU/ASCII Gateway EOT: -40°C to 70°C

Optional Accessories

DR-30-24	30W Industrial DIN-Rail Power Supply, 24VDC
DR-60-24	60W Industrial DIN-Rail Power Supply, 24VDC

Assured Systems

Assured Systems is a leading technology company with over 1,500 regular clients in 80 countries, deploying over 85,000 systems to a diverse customer base in 12 years of business. We offer high-quality and innovative rugged computing, display, networking and data collection solutions to the embedded, industrial, and digital-out-of-home market sectors.

US

sales@assured-systems.com

Sales: +1 347 719 4508
Support: +1 347 719 4508

1309 Coffeen Ave
Ste 1200
Sheridan
WY 82801
USA

EMEA

sales@assured-systems.com

Sales: +44 (0)1785 879 050
Support: +44 (0)1785 879 050

Unit A5 Douglas Park
Stone Business Park
Stone
ST15 0YJ
United Kingdom

VAT Number: 120 9546 28
Business Registration Number: 07699660