

# EMC-0201 Series

10/100TX to 100FX Enterprise Media Converter, Multi-Mode or Single-Mode, SC / ST Connector



## FEATURES

- ▶ Complies with IEEE 802.3 100BaseT & IEEE 802.3u 100BaseTX/FX Standards
- ▶ Supports Store-and-Forward Switching Mechanism
- ▶ 10/100Mbps Auto Negotiation
- ▶ Supports 9K Bytes Jumbo Frame Size
- ▶ Supports Link Alarm and Rear Panel DIP Switch
- ▶ Supports 2K MAC Address
- ▶ Supports 128K Bytes Packet Buffer
- ▶ Configuration DIP Switch Supports Auto, Speed, Duplex, Auto MDI/MDI-X, and Link-Fault-Pass-Through
- ▶ Rackmount or Wall Mountable
- ▶ Operating Temperature Range: 0°C to 50°C
- ▶ 5-Year Warranty

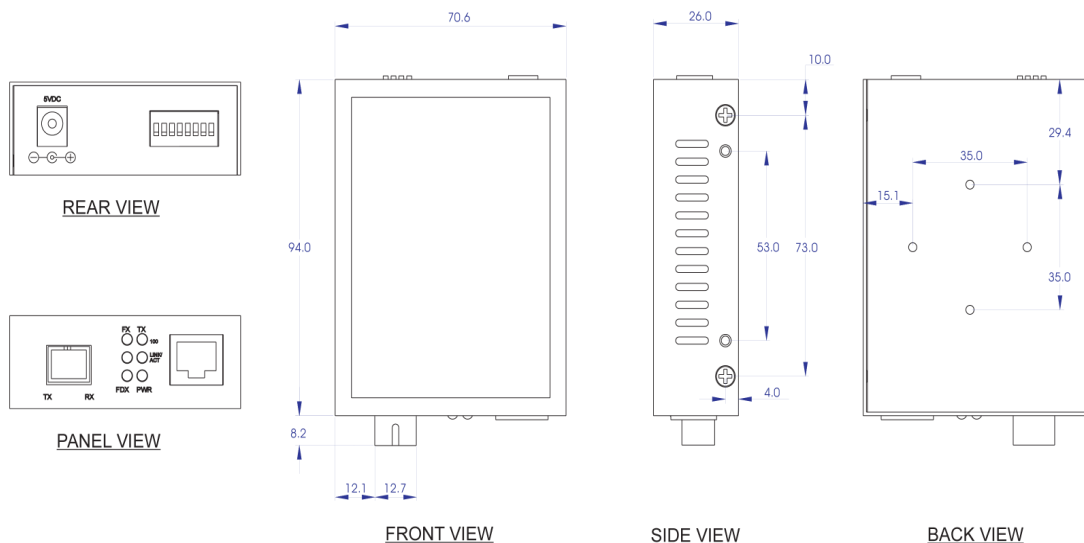


## INTRODUCTION

Antaira Technologies' EMC-0201 series is a compact fiber to Ethernet media converter housed in a metal case and conforms to the FCC emissions standards. The EMC-0201 series features a standard SC or ST fiber connector as well as the RJ45 Ethernet connector. The copper media converter is fully compliant with IEEE 802.3 and 802.3u Fast Ethernet. The industrial media converter features LED diagnostics for power, activity, link and Full/Half Duplex operations. The EMC-0201 series is a 10/100 multi-mode or single-mode fiber media converter capable of communication up to 30KM depending on the model of the series.

## DIMENSIONS

UNIT:MM



## SPECIFICATIONS

TECHNOLOGY		MECHANICAL CHARACTERISTICS	
<b>Standards</b>	IEEE 802.3 10Base-T Ethernet IEEE 802.3u 100Base-TX Fast Ethernet	<b>Housing</b>	Metal, IP30 protection
SWITCH PROPERTIES		<b>Dimension</b>	71 x 26 x 94 mm (W x H x D)
<b>Processing Type</b>	Store and Forward	<b>Weight</b>	Unit: 0.45 lb Shipping: 1.00 lb
<b>Transfer Rate</b>	14,880pps for Ethernet Port 148,800pps for Fast Ethernet Port	<b>Mounting</b>	Rackmount, Wall mounting
<b>MAC Table Size</b>	2K	POWER REQUIREMENT	
<b>Jumbo Frame</b>	9Kbytes	<b>AC Input</b>	100VAC~240VAC
<b>Memory Buffer</b>	128Kbytes	<b>DC Output</b>	5V
PORT INTERFACE		<b>System Power Consumption</b>	2.2W
<b>Ethernet Port</b>	1*10/100/1000Base-TX Auto negotiation speed, Full/Half duplex mode, and auto MDI/MDI-X connection	<b>Frequency Range</b>	50~60Hz
<b>Fiber Port</b>	1*100Base-FX	ENVIRONMENTAL LIMITS	
<b>LED Indicators</b>	Power, FDX, Status, F/O Link/Act, TX Link/Act	<b>Operating Temperature</b>	0°C to 50°C
		<b>Storage Temperature</b>	-20°C ~ 60°C
		<b>Ambient Relative Humidity</b>	5 to 90%, (non-condensing)
		REGULATORY APPROVALS	
		<b>Safety</b>	FCC Class A, CE
		<b>Warranty</b>	5 Years

## ORDERING INFORMATION

<b>EMC-0201-SC-M</b>	10/100TX to 100FX Enterprise Media Converter, Multi-Mode 2KM, SC Connector
<b>EMC-0201-SC-S3</b>	10/100TX to 100FX Enterprise Media Converter, Single-Mode 30KM, SC Connector
<b>EMC-0201-ST-M</b>	10/100TX to 100FX Enterprise Media Converter, Multi-Mode 2KM, ST Connector
<b>EMC-0201-ST-S3</b>	10/100TX to 100FX Enterprise Media Converter, Single-Mode 30KM, ST Connector
<b>EMC-0201-WA-M</b>	10/100TX to 100FX Single Fiber (WDM) Enterprise Media Converter, Multi-Mode 2KM, TX1310nm - RX1550nm
<b>EMC-0201-WB-M</b>	10/100TX to 100FX Single Fiber (WDM) Enterprise Media Converter, Multi-Mode 2KM, TX1550nm - RX1310nm
<b>EMC-0201-WA-S2</b>	10/100TX to 100FX Single Fiber (WDM) Enterprise Media Converter, Single-Mode 20KM, TX1310nm - RX1550nm
<b>EMC-0201-WB-S2</b>	10/100TX to 100FX Single Fiber (WDM) Enterprise Media Converter, Single-Mode 20KM, TX1550nm - RX1310nm

## Assured Systems

Assured Systems is a leading technology company with over 1,500 regular clients in 80 countries, deploying over 85,000 systems to a diverse customer base in 12 years of business. We offer high-quality and innovative rugged computing, display, networking and data collection solutions to the embedded, industrial, and digital-out-of-home market sectors.

### US

[sales@assured-systems.com](mailto:sales@assured-systems.com)

Sales: +1 347 719 4508  
Support: +1 347 719 4508

1309 Coffeen Ave  
Ste 1200  
Sheridan  
WY 82801  
USA

### EMEA

[sales@assured-systems.com](mailto:sales@assured-systems.com)

Sales: +44 (0)1785 879 050  
Support: +44 (0)1785 879 050

Unit A5 Douglas Park  
Stone Business Park  
Stone  
ST15 0YJ  
United Kingdom

VAT Number: 120 9546 28  
Business Registration Number: 07699660