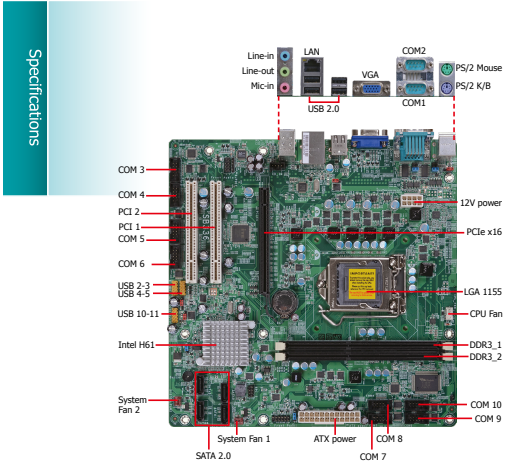


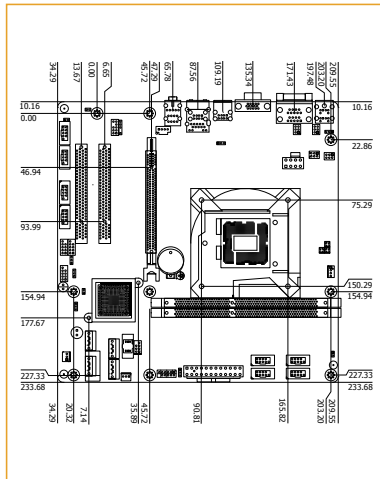
DFI SB336-Ni microATX

SB336-Ni microATX DFI

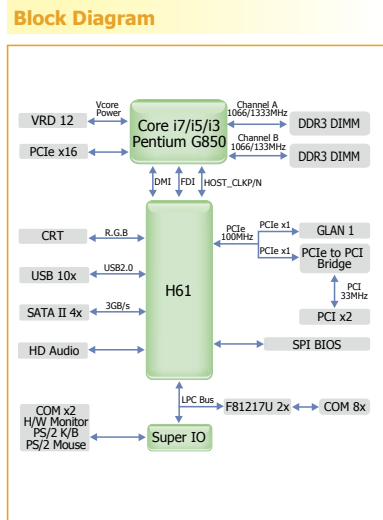
Industrial Motherboards
microATX



Mechanical Drawing



Features	
CHIPSET	Intel® H61
CPU	Intel® Core™ i7/i5/i3 Intel® Pentium®
MEMORY	2 DDR3 DIMM up to 16GB
EXPANSION	1 PCIe x16, 2 PCI
DISPLAY OUTPUTS	1 VGA
LAN	1 Gigabit LAN
COM	10 COM
USB	10 USB
SATA	4 SATA



- ### Specifications
- PROCESSOR**
 - LGA 1155 socket for:
 - Intel® Core™ i7-2600 (3.4GHz, 95W)
 - Intel® Core™ i5-2400 (3.1GHz, 95W)
 - Intel® Core™ i3-2120 (3.3GHz, 65W)
 - Intel® Pentium® G850
 - New microarchitecture on 32nm process technology
 - Intel® Advanced Vector Extensions (Intel® AVX) Instructions
 - Intel® Turbo Boost Technology
 - CHIPSET**
 - Intel® H61 Express Chipset
 - SYSTEM MEMORY**
 - Two 240-pin DDR3 DIMM sockets
 - Supports DDR3 1066/1333MHz
 - Supports dual channel memory interface
 - Supports up to 16GB system memory
 - DRAM device technologies: 1Gb, 2Gb and 4Gb DDR3 DRAM technologies are supported for x8 and x16 devices, unbuffered, non-ECC
 - EXPANSION SLOTS**
 - 1 PCIe x16 Gen 2 slot (PCIe 2.0)
 - 2 PCI slots
 - ONBOARD GRAPHICS FEATURES**
 - Intel® HD Graphics
 - Display port: VGA
 - VGA display resolution up to 2048x1536 pixels with 32-bit color at 75Hz
 - Supports 6 Graphics Execution Units (EUs)
 - Intel® Clear Video Technology
 - DirectX Video Acceleration (DXVA) support for accelerating video processing
 - ONBOARD AUDIO FEATURES**
 - Realtek ALC262 2-channel High Definition Audio
 - DACs with 100dB SNR; two stereo DACs support 24-bit PCM format for stereo audio playback
 - ADCs with 90dB SNR; three stereo ADCs support 20-bit PCM format for multiple input streaming
 - S/PDIF audio interface
 - ONBOARD LAN FEATURES**
 - 1 Realtek RTL8111DL Gigabit Ethernet Controller
 - Integrated 10/100/1000 transceiver
 - Fully compliant with IEEE 802.3, IEEE 802.3u, IEEE 802.3ab
 - Supports wire management
 - SERIAL ATA (SATA) INTERFACE**
 - 4 SATA 2.0 ports with data transfer rate up to 3Gb/s
 - SUPER I/O FEATURES**
 - 1 Fintek F71879 I/O controller supports 2 RS232 COM ports
 - 2 Fintek F81217 I/O controllers support 8 RS232 COM ports

- ### Packing List
- 1 SB336-Ni motherboard
 - 2 Serial ATA data cables
 - 2 USB port cables (with bracket)
 - 2 COM port cables (with bracket)
 - 1 I/O shield
 - 1 DVD
 - 1 QR (Quick Reference)

- REAR PANEL I/O PORTS**
 - 1 mini-DIN-6 PS/2 mouse port
 - 1 mini-DIN-6 PS/2 keyboard port
 - 2 DB-9 RS232 serial ports
 - 1 DB-15 VGA port
 - 1 RJ45 LAN port
 - 4 USB 2.0/1.1 ports
 - Mic-in, line-in and line-out jacks
- I/O CONNECTORS**
 - 3 connectors for 6 external USB 2.0/1.1 ports
 - 8 connectors for 8 external RS232 serial ports
 - 1 front audio connector for line-out and mic-in jacks
 - 1 S/PDIF connector
 - 1 CD-in connector
 - 4 Serial ATA ports
 - 1 24-pin ATX power connector
 - 1 8-pin 12V power connector
 - 1 chassis intrusion connector
 - 1 front panel connector
 - 3 fan connectors
- BIOS**
 - AMI BIOS
 - 32Mbit SPI BIOS
- ENERGY EFFICIENT DESIGN**
 - Supports ErP Lot6 power saving (optional)
 - Supports ACPI
 - System Power Management
 - Wake-On-Events include:
 - Wake-On-PS/2 KB/Mouse
 - Wake-On-USB KB/Mouse
 - Wake-On-LAN
 - RTC timer to power-on the system
 - CPU stopped clock control
 - AC power failure recovery
- DAMAGE FREE INTELLIGENCE**
 - Monitors CPU/system temperature and overheat alarm
 - Monitors VCORE/5V/3.3V/V_DIMM/12V/5VSB voltages and failure alarm
 - Monitors CPU/system fan speed and failure alarm
 - Read back capability that displays temperature, voltage and fan speed
 - Watchdog timer function
- TEMPERATURE**
 - Operating: 0°C to 60°C
 - Storage: -20°C to 85°C
- HUMIDITY**
 - 10% to 90%
- DIMENSIONS**
 - microATX form factor
 - 244mm (9.6") x 244mm (9.6")

- ### Optional Items
- USB port cable
 - COM port cable
 - Serial ATA data cable
 - Serial ATA power cable
 - I/O shield

Assured Systems

Assured Systems is a leading technology company with over 1,500 regular clients in 80 countries, deploying over 85,000 systems to a diverse customer base in 12 years of business. We offer high-quality and innovative rugged computing, display, networking and data collection solutions to the embedded, industrial, and digital-out-of-home market sectors.

US

sales@assured-systems.com

Sales: +1 347 719 4508
Support: +1 347 719 4508

1309 Coffeen Ave
Ste 1200
Sheridan
WY 82801
USA

EMEA

sales@assured-systems.com

Sales: +44 (0)1785 879 050
Support: +44 (0)1785 879 050

Unit A5 Douglas Park
Stone Business Park
Stone
ST15 0YJ
United Kingdom

VAT Number: 120 9546 28
Business Registration Number: 07699660