



Industrial Solutions Partner!

**SSD2755-A V1**

**27.5" Resizing USB 3.0 Display, 200 nits LED backlight, 1366 x 70 ultra-wide aspect ratio 16:1**

The SSD2755-A is a 27.5 inch color TFT-LCD display with special aspect ratio 16:1 and wide resolution 1366 x 70. It is Litemax's Spanpixel series product which designed for high brightness 200 nits with power efficiency LED backlight. It provides LCD panel with specific aspect ratios and sunlight readable for digital signage, public transportation, exhibition hall, department store, and vending machine.

**Key Features**

- Resizing LCD
- Ultra-Wide Screen (16 : 1)
- Brightness 200 nits
- LED Backlight
- Slim Bezel
- [USB 3.0](#)
- BL MTBF: 100,000 hours



**Specifications**

Model Name	SSD2755-A V1
Description	27.5" Resizing USB3.0 Display, 200 nits LED backlight, 1366x70
Screen Size	27.5"
Display Area (mm)	697.7(H) x 35.7(V)
Brightness	200 cd/m <sup>2</sup>
Resolution	1366x70
Aspect Ratio	16 : 1
Contrast Ratio	3000 : 1
Pixel Pitch (mm)	0.51075(H) x 0.51075(V)
Pixel Per Inch (PPI)	50
Viewing Angle	178°(H),178°(V)
Color Saturation (NTSC)	80%
Display Colors	16.7M
Response Time (Typical)	6.5ms
Panel Interface	LVDS
AD Board Input Interface	USB
Input Power	USB
Power Consumption	4.5W
OSD Key	NA
OSD Control	NA
Dimensions (mm)	719.5x 67.1 x 32.8
Bezel Size(U/B/L/R)	13.7/13.7/8.9/8.9 mm
Weight (Net)	1.7 kg
Mounting	280 x 40, 200 x 40
Operating Temperature	0 °C ~ 50 °C
Storage Temperature	-20 °C ~ 60 °C

**SSD** = Panel+ LED Driving Board + AD Control Board + Housing

Specifications are subject to change without notice.  
All brands or product names are trademarks or registered trademarks of their respective companies.

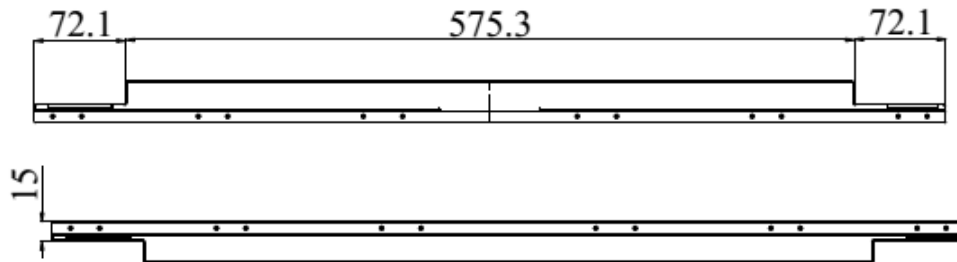
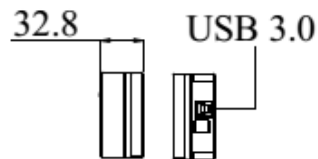
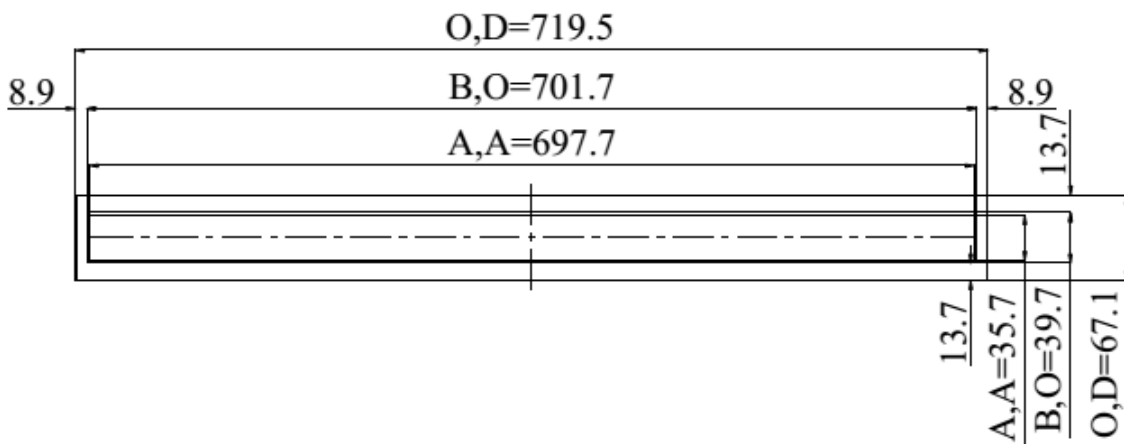
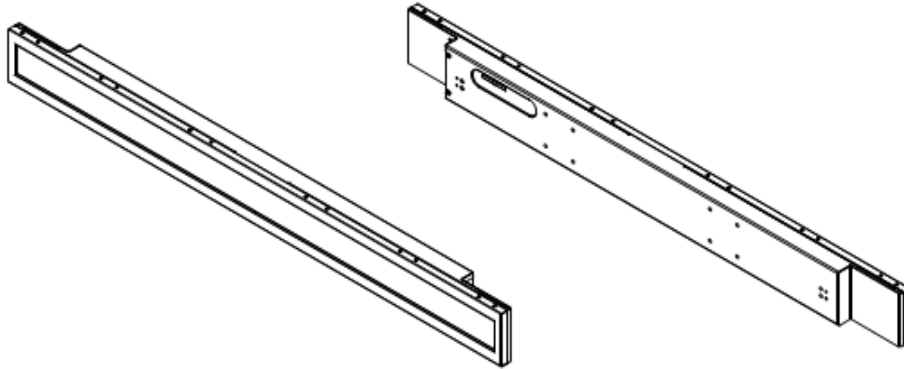


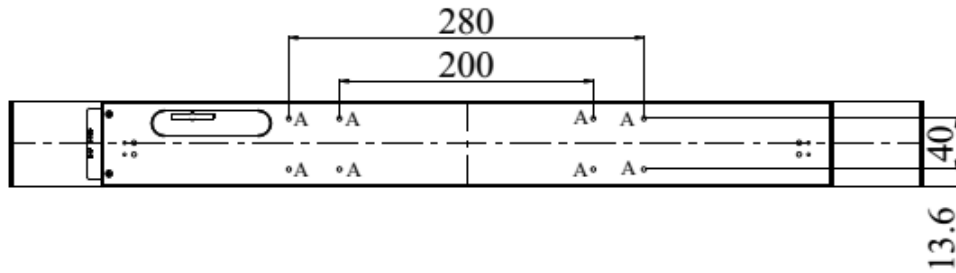
Industrial Solutions Partner!

**Mechanical Drawing**

Outline Dimensions

Unit: mm





NOTE :  
 O.D. : OUTLINE DIMENSION  
 B.O. : BEZEL OPENING  
 A.A. : LCD ACTIVE AREA  
 A:8-M4\_USER HOLE\_MAX.Depth=5mm

**Ordering Information**

Part Number	Description
SSD2755-ANN-U01	27.5",200nits,1366*70,USB3.0,white painting,5in1,V1

**Optional Accessories**

Part Number	Description
460140007001	Fixture,Hinge,SUS,LT18500,V0,Left,P
460140007002	Fixture,Hinge,SUS,LT18500,V0,Right,P
800815002000	CABLE,USB 3.0,1500mm.A Type TO B Type 10P,P
840612031101	ADAPTER.12V.3.33A.40W.G99-KPL040F-N051.DC Plug 2.1*5.5,P
810618301010	CABLE.POWER.AC.1830mm USA type
810618301090	CABLE.POWER.AC.1830mm Europe type
810618301050	CABLE.POWER.AC.1830mm UK type
810618301170	CABLE.POWER.AC.1830mm Australia type
810618301031	CABLE.POWER.AC.1830mm Japan type

**By Customer Request**

Glass	Tempered glass, AR coating.....
-------	---------------------------------

## Assured Systems

Assured Systems is a leading technology company with over 1,500 regular clients in 80 countries, deploying over 85,000 systems to a diverse customer base in 12 years of business. We offer high-quality and innovative rugged computing, display, networking and data collection solutions to the embedded, industrial, and digital-out-of-home market sectors.

### US

[sales@assured-systems.com](mailto:sales@assured-systems.com)

Sales: +1 347 719 4508  
Support: +1 347 719 4508

1309 Coffeen Ave  
Ste 1200  
Sheridan  
WY 82801  
USA

### EMEA

[sales@assured-systems.com](mailto:sales@assured-systems.com)

Sales: +44 (0)1785 879 050  
Support: +44 (0)1785 879 050

Unit A5 Douglas Park  
Stone Business Park  
Stone  
ST15 0YJ  
United Kingdom

VAT Number: 120 9546 28  
Business Registration Number: 07699660