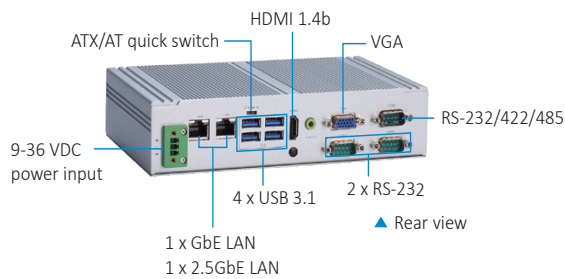
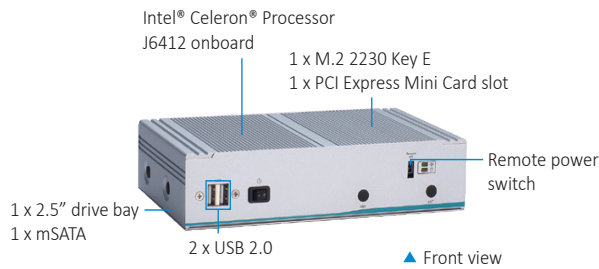


eBOX626A NEW

Fanless Embedded System with Intel® Celeron® J6412 2.0 GHz, HDMI, VGA, 6 USB, 2 LAN, 3 COM, and 9 to 36 VDC



Features

- Intel® Celeron® Processor J6412 quad-core onboard
- -10 °C to +60 °C operating temperature
- 1 HDMI and 1 VGA for dual-view display
- Trusted Platform Module (TPM) 2.0 onboard
- M.2 Key E for WiFi/WiFi 6 connection
- 9-36 VDC Wide range power input



Specifications

| | |
|---------------------|--|
| Standard Color | Silver |
| Construction | Aluminum extrusion and heavy-duty steel, IP40 |
| CPU | Intel® Celeron® processor J6412, up to 10W |
| System Memory | 1 x 260-pin DDR4-3200 SO-DIMM, up to 32GB |
| Chipset | SoC integrated |
| BIOS | AMI |
| System I/O Outlet | 1 x Audio (Line-out) 1 x HDMI 1.4b (lockable) 1 x VGA 1 x RS-232/422/485 (COM1) 2 x RS-232 (COM2/3) 4 x USB 3.1 Gen2 2 x USB 2.0 1 x 10/100/1000/2500 Mbps Ethernet (Intel® i226-LM) 1 x 10/100/1000 Mbps Ethernet (Intel® i210-AT) 1 x Phoenix type VDC power input connector 1 x ATX power switch 1 x ATX/AT quick switch 1 x Remote power switch 4 x Antenna opening |
| Watchdog Timer | 255 levels, 1 to 255 sec. |
| Storage | 1 x 2.5" SATA HDD drive bay (up to 9.5 mm height) 1 x mSATA (enabled in BIOS setting) |
| Expansion Interface | 1 x Full size internal PCI Express Mini Card slot (mSATA/SIM) (USB + PCIE + SATA) 1 x M.2 2230 Key E (PCIE + USB) |
| TPM | TPM 2.0 |
| System Indicator | 1 x Green LED for system power-on 1 x Yellow LED for HDD/SSD active |
| Power Supply | 9 to 36 VDC |

Specifications

| | |
|-----------------------|--|
| Operating Temperature | -10°C to +60°C (+14°F to +140°F) (with W.T. SSD/DRAM) |
| Humidity | 10% - 95%, non-condensing |
| Shock Vibration | IEC 60068-2-27 (with SSD: 50G, half sine, 11 ms duration) |
| Vibration Endurance | IEC 60068-2-64 (with SSD: 3Grms STD, random, 5 to 500 Hz, 1 hr/axis) |
| Dimensions | 200 mm (7.87") (W) x 120 mm (4.72") (D) x 46 mm (1.81") (H) |
| Weight (net/gross) | 1.2 kg (2.43 lb)/1.8 kg (3.97 lb) |
| Certifications | CE, FCC Class A, UKCA |
| EOS Support | Win10 IoT, Win11 IoT, Linux |

* W.T.: Wide Temperature. All W.T. supported products have to be sorted by Axiomtek.

Packing List

- 1 x Screws pack
- 3 x DRAM thermal pad
- 1 x DRAM thermal pad bracket
- 1 x Remote power switch cable
- 4 x Pre-install foot pad
- 1 x 3-pin terminal block connector

Power Protection

AC Version

- OVP (over voltage protection)
- UVP (under voltage protection)
- SCP (short circuit protection)

Ordering Information

Standard

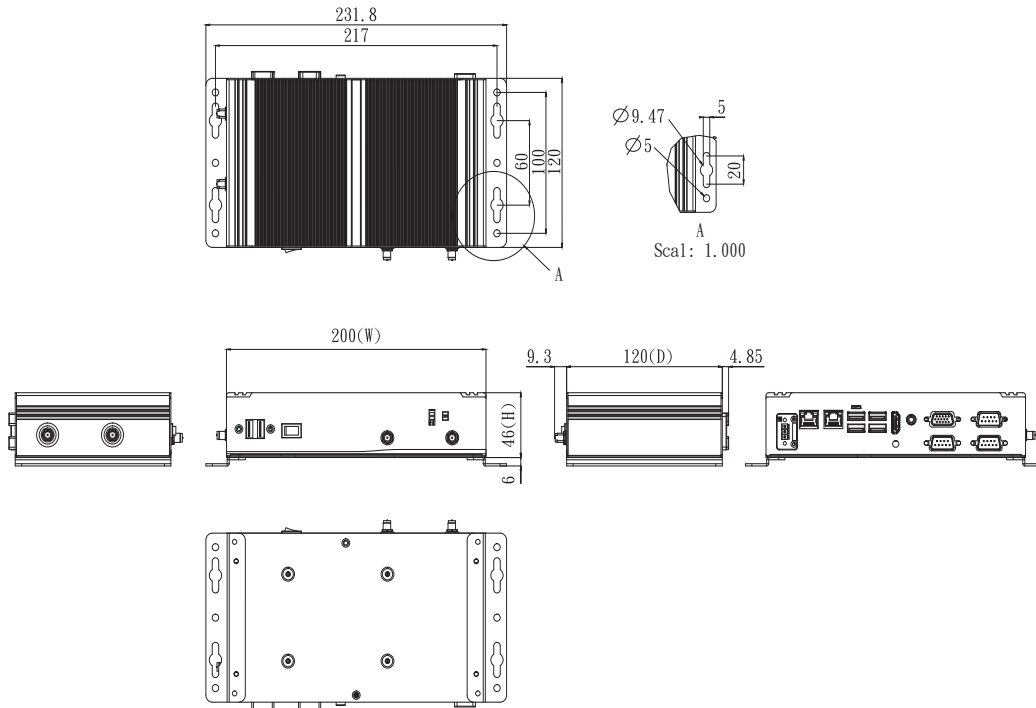
| | |
|-------------------------------------|--|
| eBOX626A-EL-C1 (PN : E36K626A00) | Fanless Embedded System with Intel® Celeron® J6412 2.0 GHz, HDM, VGA, 6 USB, 2 LAN, 3 COM, and 9 to 36 VDC |
|-------------------------------------|--|

Optional

| | |
|---------------|------------------|
| 2.5" SATA HDD | 64GB or above |
| 2.5" SATA SSD | 100GB or above |
| DDR4 SO-DIMM | 8GB to 32GB |
| mSATA | 64MB or above |
| 8816K6271A0E | Wall mount Kit |
| 886K62613A0E | VESA mount kit |
| 886K62614A0E | DIN-rail kit |
| | Wi-Fi/LTE module |

* Specifications and certifications may vary based on different requirements.

Dimensions



Assured Systems

Assured Systems is a leading technology company with over 1,500 regular clients in 80 countries, deploying over 85,000 systems to a diverse customer base in 12 years of business. We offer high-quality and innovative rugged computing, display, networking and data collection solutions to the embedded, industrial, and digital-out-of-home market sectors.

US

sales@assured-systems.com

Sales: +1 347 719 4508
Support: +1 347 719 4508

1309 Coffeen Ave
Ste 1200
Sheridan
WY 82801
USA

EMEA

sales@assured-systems.com

Sales: +44 (0)1785 879 050
Support: +44 (0)1785 879 050

Unit A5 Douglas Park
Stone Business Park
Stone
ST15 0YJ
United Kingdom

VAT Number: 120 9546 28
Business Registration Number: 07699660