



Intel® Atom™ E3800 Series  
Fanless Embedded System

## EC700-BT3054

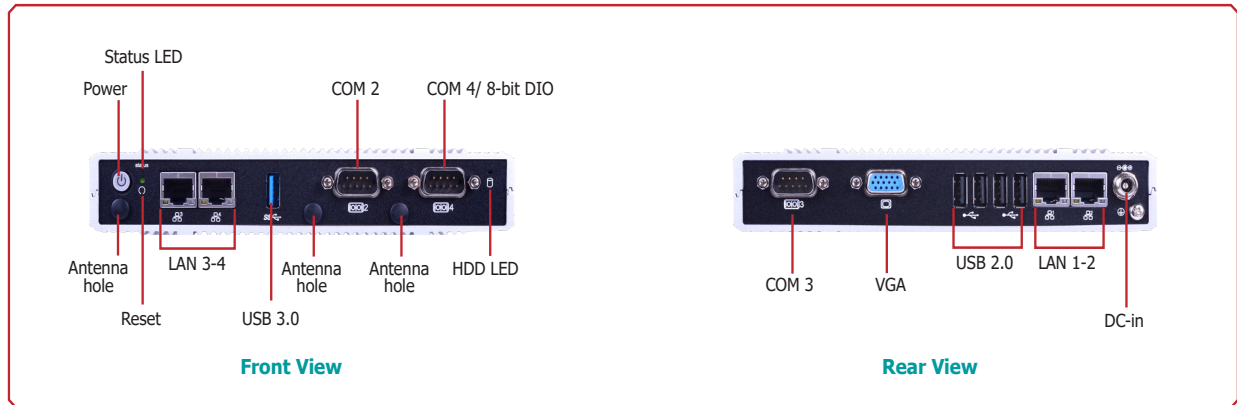


### ► Features

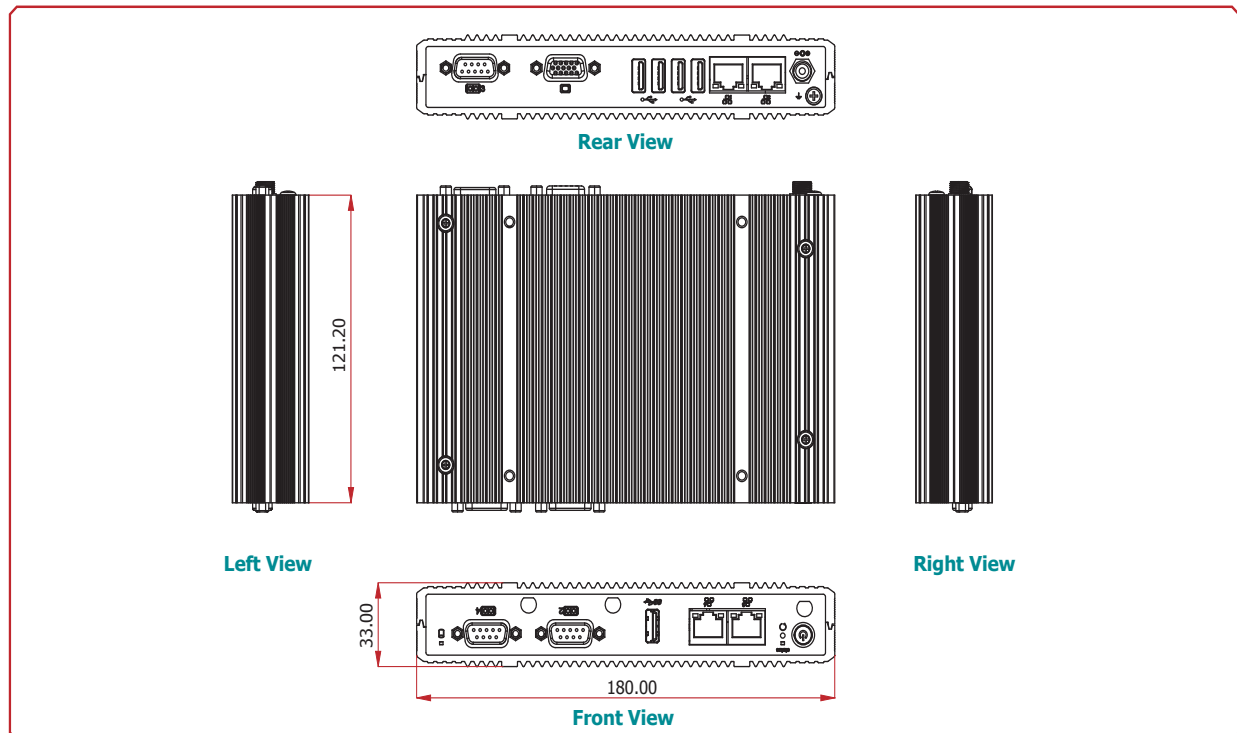
- 4GB/2GB DDR3L onboard
- mSATA, eMMC (optional)
- 1x 2.5" SATA drive bay
- 4x Gigabit LAN ports
- Supports 3G/4G and GPRS application



### ► Panel



### ► Dimensions





## EC700-BT3054

### ► Specifications \* Optional and is not supported in standard model. Please contact your sales representative for more information.

#### PROCESSOR SYSTEM

- Intel® Atom™ E3845, Quad Core, 2M Cache, 1.91GHz, 10W
- Intel® Celeron® J1900, Quad Core, 2M Cache, 2GHz (2.41GHz), 10W
- BGA 1170 packaging technology
- 22nm process technology

#### MEMORY

- Supports 4GB DDR3L onboard 1333MHz (E3845)  
Supports 2GB DDR3L onboard 1066MHz (J1900)
- Supports single channel memory interface

#### GRAPHICS

- Intel® HD Graphics
- Display ports: 1 VGA or 1 DVI-I\*
- DVI: resolution up to 1920x1080 @ 60Hz
- VGA: 24-bit, resolution up to 2560x1600 @ 60Hz

#### STORAGE

- 1x 2.5" SATA drive bay
  - SATA 2.0 port with data transfer rate up to 3Gb/s
- 1 mSATA module via a Mini PCIe slot
- Supports 4GB, 8GB, 16GB and 32GB eMMC onboard\*

#### ETHERNET

- 4 Intel® I210 PCI Express Gigabit Ethernet controllers
- Integrated 10/100/1000 transceiver
- Fully compliant with IEEE 802.3, IEEE 802.3u, IEEE 802.3ab

#### COM

- 3 DB-9 ports
  - COM 2 and COM 3 support RS232/422/485 COM
  - COM 4 supports RS232/422/485 COM or 8-bit DIO (selected by jumper)

#### EXPANSION

- 2 Mini PCIe slots
  - 1 full size slot for communication
    - : Supports PCIe, USB, and 3G signals for 3G or GPRS module
  - 1 full size slot for storage
    - : Supports mSATA module
- 1 SIM card socket
- 1 microSD socket

#### DIO

- 1 8-bit DIO via the DB-9 port

#### I/O PORTS

- Front Panel
  - 2 DB-9 serial ports
    - : supports RS232/422/485
    - : One of the ports supports 8-bit DIO
  - 1 USB 3.0 (Type A) port
  - 2 RJ45 LAN ports
  - 3 antenna holes
  - 1 status LED
  - 1 HDD LED
  - 1 reset button
  - 1 power button
- Rear Panel
  - 1 DB-9 serial port
    - : supports RS232/422/485
  - 1 VGA port; or 1 DVI-I port\*
  - 4 USB 2.0 (Type A) ports
  - 2 RJ45 LAN ports
  - 1 9~36V DC-in jack

#### POWER

- Power input voltage: 9~36V DC-in jack

#### ENVIRONMENT

- Temperature
  - Operating (E3845)
    - : -20°C~60°C (SSD/mSATA)
    - : 0°C~50°C (HDD)
  - Operating (J1900)
    - : 0°C~60°C (SSD/mSATA)
    - : 0°C~50°C (HDD)
  - Storage: -20°C~85°C
- Operating Vibration
  - Operating: sine 5~500Hz, 1G
  - Non-operating: sine 10~500Hz, 3G
- Operating Shock
  - Operating: 5G
  - Non-operating: 10G

#### CONSTRUCTION

- Aluminum + metal aluminum

#### MOUNTING

- Wall/VESA/DIN Rail mount
  - Mounting brackets and screws\*

#### DIMENSIONS

- 180mm x 33mm x 121.2mm (W x H x D)

#### WEIGHT

- 800 g

#### OS SUPPORT

- Windows 7, WES 7, Windows 8.1, WES 8
- Linux

#### WATCHDOG TIMER

- Watchdog timeout programmable via software from 1 to 255 seconds

#### CERTIFICATION

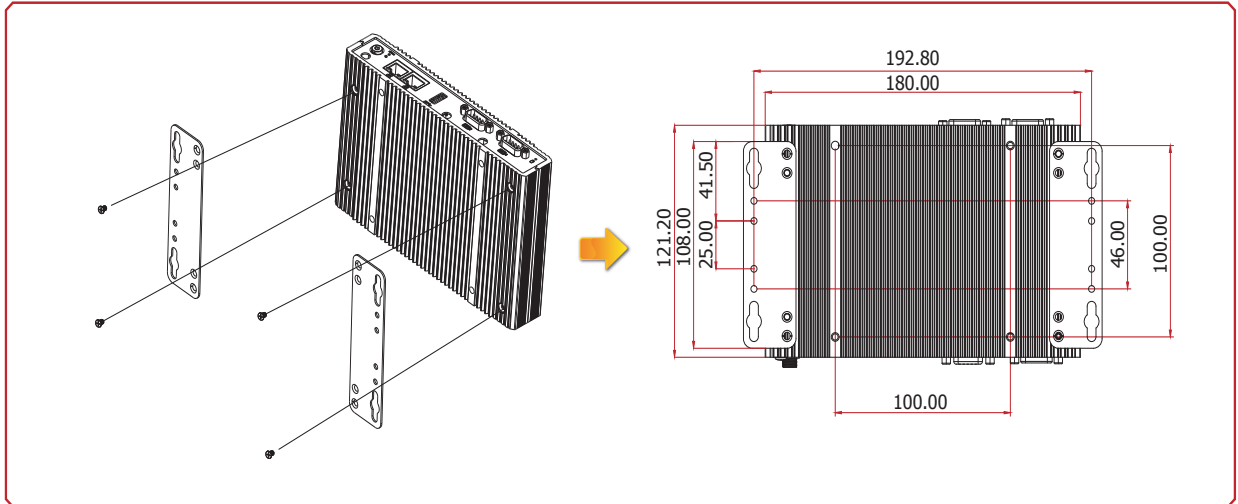
- CE, FCC Class B, RoHS



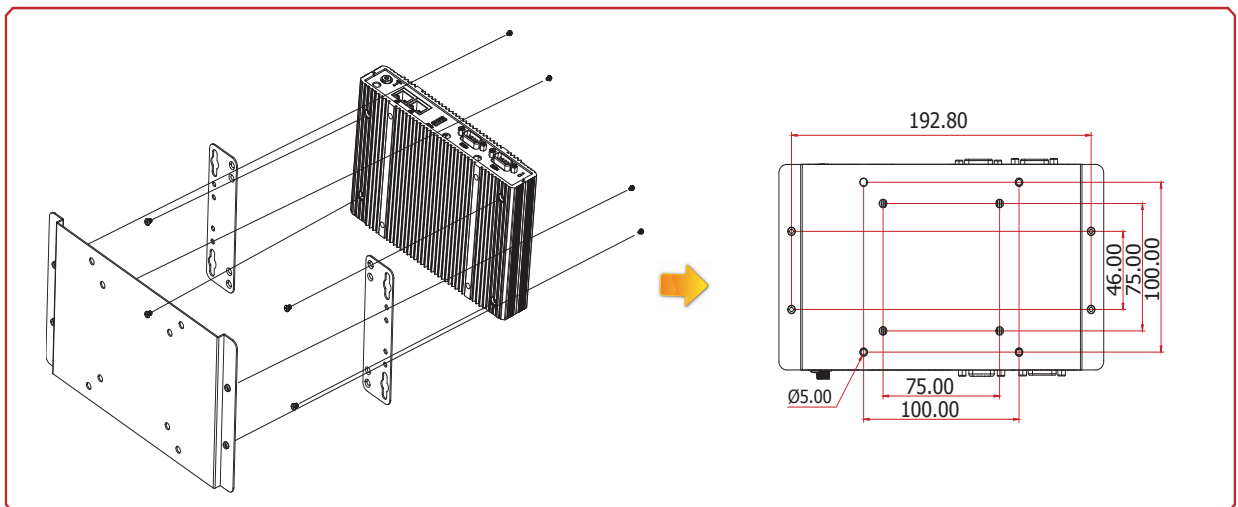
Intel® Atom™ E3800 Series  
Fanless Embedded System

## EC700-BT3054

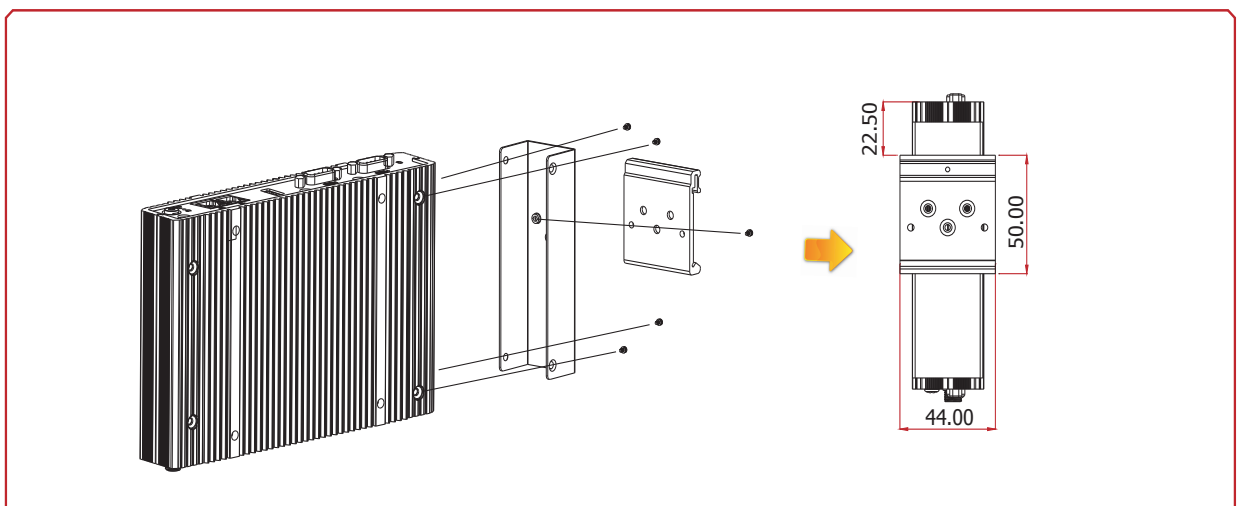
### ▶ Wall Mounting



### ▶ VESA Mounting



### ▶ DIN Rail Mounting





## EC700-BT3054

### ► Ordering Information

Model Name	Part Number	Description
<b>EC700-BT3054-454</b>	750-EC7001-000G	Fanless, Intel Atom E3845, 4 LAN, 1 VGA, 3 COM, 5 USB, 4GB DDR3L onboard, RoHS
<b>EC700-BT3054-192</b>	750-EC7001-100G	Fanless, Intel Celeron J1900, 4 LAN, 1 VGA, 3 COM, 5 USB, 2GB DDR3L onboard, RoHS

### ► Optional Items

Optional Items	Part Number	Description
<b>HDD</b>	785-H25500G	2.5" SATA HDD, 500GB, RoHS
	785-H25320G	2.5" SATA HDD, 320GB, RoHS
	785-S251TBG	2.5" SATA SSD, 1TB MLC, RoHS
	785-S25512G	2.5" SATA SSD, 512GB MLC, RoHS
	785-S25256G	2.5" SATA SSD, 256GB MLC, RoHS
	785-S25128G	2.5" SATA SSD, 128GB MLC, RoHS
	785-S25064G	2.5" SATA SSD, 64GB MLC, RoHS
<b>mSATA</b>	785-MS128GMF	mSATA Card, 128GB MLC, RoHS
	785-MS64GMF	mSATA Card, 64GB MLC, RoHS
	785-MS32GMF	mSATA Card, 32GB MLC, RoHS
	785-MS16GMF	mSATA Card, 16GB MLC, RoHS
	785-MS08GMF	mSATA Card, 8GB MLC, RoHS
	785-MS04GMF	mSATA Card, 4GB MLC, RoHS
<b>Wi-Fi</b>	761-110091-000G	Wi-Fi Kit, RoHS
<b>3G + GPS</b>	612-110040-600G	3G + GPS Kit, RoHS
<b>Power Cord</b>	785-PWRD	Power Cord, Standards (USA/EUR/CH), 1.8m, RoHS
<b>Power Adapter</b>	671-106012-000G	60W, 12V/5A, Level 6, RoHS
	671-106013-000G	60W, 12V/5A (-30 to 70°C), Level 6, RoHS
	671-106011-000G	60W, 19V/3.15A, Level 6, RoHS
<b>Wall Mount</b>	761-EC8000-000G	EC700/800 Wall Mount Kit, RoHS
<b>VESA Mount</b>	761-EC7000-100G	EC700 VESA Mount Kit, RoHS
<b>DIN Rail Mount</b>	761-EC8000-200G	EC700/800 DIN Rail Mount Kit, RoHS
<b>DC Cord</b>	A81-004031-007G	UL 1185 (5.5x2.5x9.5mm) with Nut to stripped and tinned, length 1000mm

### ► Packing List

• 1 EC700-BT3054 system unit
• 6 mounting screws for Mini PCIe module
• 1 Quick Installation Guide

## Assured Systems

Assured Systems is a leading technology company with over 1,500 regular clients in 80 countries, deploying over 85,000 systems to a diverse customer base in 12 years of business. We offer high-quality and innovative rugged computing, display, networking and data collection solutions to the embedded, industrial, and digital-out-of-home market sectors.

### US

[sales@assured-systems.com](mailto:sales@assured-systems.com)

Sales: +1 347 719 4508  
Support: +1 347 719 4508

1309 Coffeen Ave  
Ste 1200  
Sheridan  
WY 82801  
USA

### EMEA

[sales@assured-systems.com](mailto:sales@assured-systems.com)

Sales: +44 (0)1785 879 050  
Support: +44 (0)1785 879 050

Unit A5 Douglas Park  
Stone Business Park  
Stone  
ST15 0YJ  
United Kingdom

VAT Number: 120 9546 28  
Business Registration Number: 07699660