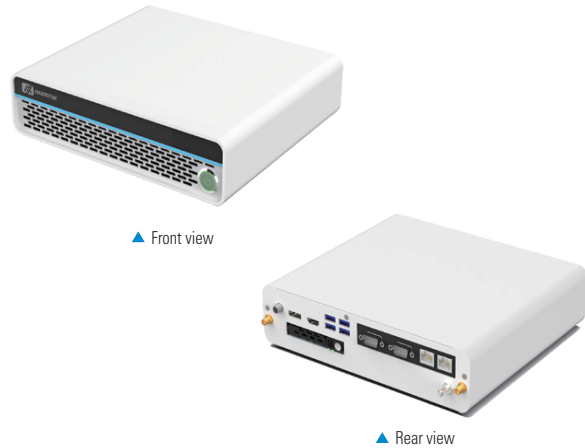


mBOX100 Preliminary

Medical Grade Fanless Slim System with 8th Gen Intel® Core™ i7/i5 & Celeron® Processor for Smart Healthcare Applications

Features

- 8th gen Intel® Core™ i7/i5 & Celeron® processor (Whiskey Lake-U), TDP 15W
- 2 DDR4-2400 SO-DIMM for up to 64GB memory
- 1 HDMI and 1 DisplayPort with 4K UHD supported
- 2 COM & 2 GbE LAN support 4kV isolation
- Swappable 2.5" SATAIII SSD tray with security lock
- Antimicrobial coating chassis (optional)



Specifications

Standard Color	White
CPU	Intel® Core™ i7-8665UE/i5-8365UE processor (Whiskey Lake-U) with TDP 15W
System Memory	2 x 260-pin DDR4-2666 non-ECC SO-DIMM, up to 64GB
Chipset	SoC integrated
Display	Intel® UHD Graphics 620 Supports Gfx - DX12.0, OCL2.0, OGL4.3
BIOS	AMI uEFI
System I/O Outlet	2 x RS-232/422/485 2 x 10/100/1000 Mbps Ethernet (Intel® i210-IT & Intel® i219-LM) 4 x USB 3.1 1 x HDMI 1.4 1 x DisplayPort 1.2 1 x Power on/off button 1 x DC power input connector 2 x SMA-type antenna connector
Watchdog Timer	65535 levels, 1 to 65535 sec.
Storage	1 x 2.5" SATAIII SSD 1 x M.2 Key M 2280 NVMe SSD slot
Expansion Interface	1 x Full-size PCI Express Mini Card slot (USB + PCIe signal)
TPM	TPM 2.0
System Indicator	1 x Blue LED for system power-on
Power Input	12-24V DC in
Operating Temperature	0°C to +40°C (+32°F to +104°F)
Humidity	10% - 90%, non-condensing
Vibration Endurance	3Grms STD, random, 5 to 500 Hz, 1 hr/axis
Dimensions	250 mm (9.8") (W) x 220 mm (8.66") (D) x 60 mm (2.36") (H)
Weight (net/gross)	3 kg
Certifications	CE, FCC IEC-60601 Compliance
EOS Support	Win 10 IoT, Linux

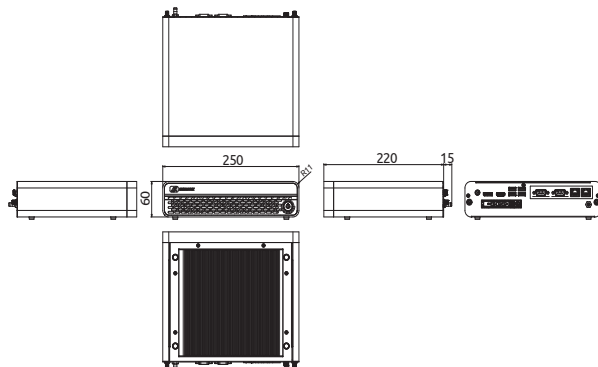
Packing List

- 1 x Quick manual
- 1 x Screw pack
- 4 x Pre-installed foot pad
- 1 x HDD rubber

Ordering Information

Standard	
mBOX100	Medical Grade Fanless Slim System with 8th Gen Intel® Core™ i7/i5 & Celeron® Processor, HDMI 1.4, DisplayPort 1.2, 2 COM, 4 USB 3.1 and 2 GbE LAN
Optional	
DDR4 SO-DIMM	8GB to 32GB
2.5" SATA SSD	128GB or above
M.2 NVMe SSD	100GB or above
WLAN Kit	Wi-Fi module & antenna
Power Adapter	12V, 65W adapter (Medical Grade)

Dimensions



Assured Systems

Assured Systems is a leading technology company with over 1,500 regular clients in 80 countries, deploying over 85,000 systems to a diverse customer base in 12 years of business. We offer high-quality and innovative rugged computing, display, networking and data collection solutions to the embedded, industrial, and digital-out-of-home market sectors.

US

sales@assured-systems.com

Sales: +1 347 719 4508
Support: +1 347 719 4508

1309 Coffeen Ave
Ste 1200
Sheridan
WY 82801
USA

EMEA

sales@assured-systems.com

Sales: +44 (0)1785 879 050
Support: +44 (0)1785 879 050

Unit A5 Douglas Park
Stone Business Park
Stone
ST15 0YJ
United Kingdom

VAT Number: 120 9546 28
Business Registration Number: 07699660