



FPC-7910

Robust Box PC with Intel® 6th & 7th Generation Core™ i7/i5/i3 Processor



Features

- Fanless Design
- Wide Range DC Power Input (9 ~36V)
- Various Video Interfaces (VGA + DVI-D+HDMI) supported
- TPM2.0 support
- Optional Wi-Fi or LTE Wireless Connectivity supported
- Rugged Design for Shock/Vibration Protection
- Memory support up to 32GB

Embedded Computing

System

CPU	Intel® 6 th & 7 th generation Core™ i7/i5/i3 processor in LGA1151 socket
Memory	2 x 260-pin DDR4 SO-DIMM sockets, supporting 2133 MHz SDRAM up to 32GB
Chipset	Intel® H110
Graphics	Integrated Intel® HD Graphics
ATA	2 x Serial ATA ports with 600MB/s HDD transfer rate
LAN Chipset	2 x Intel® WGI211AT GbE controllers 1 x Intel® WGI219LM GbE controller w/o iAMT
Watchdog Timer	1~255 levels reset

I/O

Serial Port	4 x RS-232 ports via one DB-44 female connector. (COM1 and COM2 are RS-232 /422/485 configurable)
Selectable Poart	1 x DB25 connector for DIO (8 in/8 out) port or LPT port (either one, default is DIO)
USB Port	6 x USB 2.0 ports (Front side)* 4 x USB 3.0 ports (Rear side)
LAN	3 x RJ-45 ports for GbE 1 x DB-15 female connector for Analog RGB 1 x HDMI
Video Port	1 x DVI-D female connector for digital video output * Support 2 independent display
Audio	Mic-in/Line-out
Expansion Bus	1 x Mini-card socket interconnected with SIM card socket for optional Wi-Fi or LTE module (Full size) 1 x SIM socket/1 x CFast socket (outside accessible)

Environmental

Operating Temp.	-20 ~ 55°C (-4 ~ 131°F), ambient w/ air flow, for 65W TDP CPU need to configure TDP to 35W via BIOS setting.
Storage Temp.	-40 ~ 85°C (-40 ~ 185°F)
Operating Humidity	10 ~ 95% @ 55°C (non-condensing)
Vibration	3 Grms/5~500Hz/random operation w/ SSD
Shock	Operating 40G (11ms), Non-operating 60G with SSD

Qualification

Certification	CE, FCC Class A
---------------	-----------------

Power Requirement

Power Input	DC 9~36V input (w/ 4-pin terminal block, combining remote power on/off switch)
Power Consumption	Max. 65W (w/o I/O card)

Storage

Type	2 x 2.5" drive bays 1 x CFast socket, can be outside accessible
------	--

Mechanical

Construction	Aluminum alloy
Mounting	Wall-mount
Weight	4.2 kg (9.26 lb)
Dimensions (W x H x D)	195 x 75 x 268 mm (7.68" x 3.54" x 10.55")

OS Support

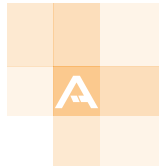
Windows 10 IOT (For 6th/7th Gen Intel CPU)
Windows 7 / Windows 8.1 (For 6th Gen Intel CPU)
Linux (Kernal 4.x)

Ordering Information

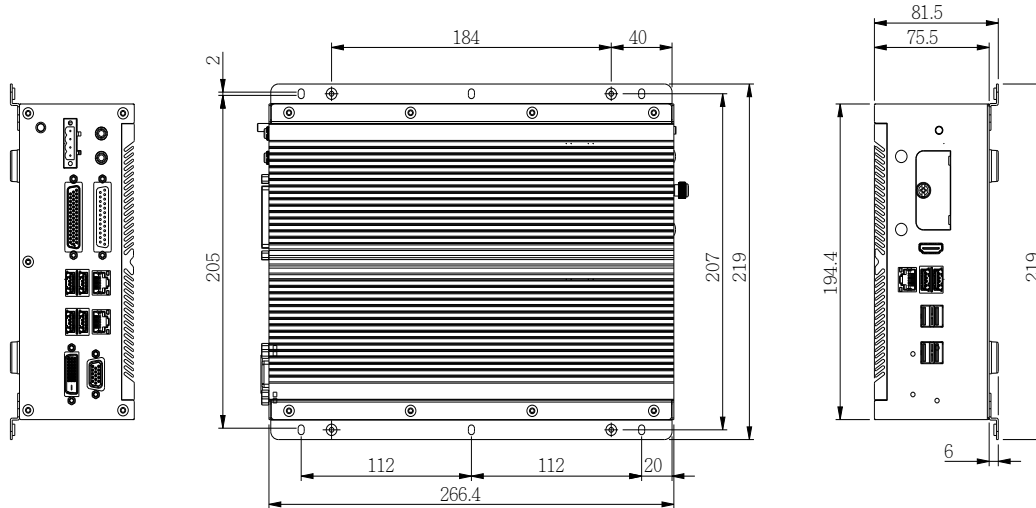
FPC-7910	Fanless system w/o expansion.
----------	-------------------------------

*Two of the USB ports are USB 3.0 connector but only USB 2.0 signal at front side.

All specifications are subject to change without notice.



Dimensions



Optional Accessories

PAC-120W6B-FSP-ES	120W AC/DC 19V adapter kit w/ 2-pin/3-pin/4-pin block	
CBL-7100-COM	4 x COM ports converter cable	
WMK-7000	Wall-mount kit for FPC-7XXX Series	

Optional Configuration (CTOS* Kit)

240GB SSD	Intel® 2.5" 240GB SATAIII SSD kit	
MK-4C-4G	DDR4-2133 4GB SDRAM DIMM kit	
MK-4C-8G	DDR4-2133 8GB SDRAM DIMM kit	
MK-4C-16G	DDR4-2133 16GB SDRAM DIMM kit	
WiFi-AT4550	Atheros, QCNFA324 WiFi module w/ 2*30cm internal wiring	
ANT-D11	1 x Wi-Fi dual-band 2.4G/5G antenna	
Core™ i7-7700T	Intel® 7 th Gen. Core™ i7-7700T processor, L2/8M, 2.9G	
Core™ i5-7500T	Intel® 7 th Gen. Core™ i5-7500T processor, L2/6M, 2.7G	
Core™ i3-7101TE	Intel® 7 th Gen. Core™ i3-7101TE processor, L2/3M, 3.4G	
Core™ i7-7700	Intel® 7 th Gen. Core™ i7-7700 processor, L2/8M, 3.6G, need configure TDP to 35W	
Core™ i5-7500	Intel® 7 th Gen. Core™ i5-7500 processor, L2/6M, 3.4G, need configure TDP to 35W	

*CTOS means Configure-to-Order Service.

Last update: 8/5/2020

Assured Systems

Assured Systems is a leading technology company with over 1,500 regular clients in 80 countries, deploying over 85,000 systems to a diverse customer base in 12 years of business. We offer high-quality and innovative rugged computing, display, networking and data collection solutions to the embedded, industrial, and digital-out-of-home market sectors.

US

sales@assured-systems.com

Sales: +1 347 719 4508
Support: +1 347 719 4508

1309 Coffeen Ave
Ste 1200
Sheridan
WY 82801
USA

EMEA

sales@assured-systems.com

Sales: +44 (0)1785 879 050
Support: +44 (0)1785 879 050

Unit A5 Douglas Park
Stone Business Park
Stone
ST15 0YJ
United Kingdom

VAT Number: 120 9546 28
Business Registration Number: 07699660