

AIE800-904-FL

Rugged IP67-rated Fanless Edge AI System with NVIDIA® Jetson Xavier™ NX, 1 HDMI, 1 GbE PoE, 1 USB and 100 to 240 VAC Power Input

Features

- IP67-rated design, specifically for outdoor environments
- NVIDIA® Jetson Xavier™ NX with Volta™ GPU architecture with 384 NVIDIA CUDA® cores
- High AI computing performance for GPU accelerated processing
- -30°C to +50°C operating temperature range
- 100 to 240 VAC wide range power input with 10kV surge protection
- 4 N-jack antenna openings with water proof design
- Features M12 lockable I/Os
- 1 IEEE 802.3at GbE PoE (30W)

NVIDIA® Jetson Xavier™ NX available through to 2026*
The official end of life notice will be sent for at least 8 months before the last shipment.



Specifications

Standard Color	Black
Construction	Aluminum die-casting and heavy-duty steel, IP67
CPU Board	NVIDIA® Jetson Xavier™ NX
CPU	6-core NVIDIA Carmel ARM® v8.2 64-bit CPU 6 MB L2 + 4 MB L3
GPU	384-core NVIDIA Volta™ GPU with 48 Tensor Cores
System Memory	8GB 128-bit LPDDR4x onboard
System I/O Outlet	1 x C3 USB 2.0 1 x M12 X-Code GbE PoE (IEEE 802.3at) (30W) 1 x C3 HDMI with FHD supported 1 x M12 S-Code 3-pos AC in power input 4 x N-jack antenna opening with water proof design
Watchdog Timer	Built-in Xavier NX
Storage	Onboard 16GB eMMC (via Jetson Xavier™ NX) 1 x M.2 Key B 2242 with PCIe 2.0 x2 NVMe SSD slot *The bootable device supported by eMMC only
Expansion Interface	1 x Full-size PCI Express Mini Card slot (USB + PCI Express signal) 1 x SIM slot
Power Input	100 to 240 VAC with 10kV SPD
Operating Temperature	-30°C to +50°C (-22°F to +122°F)
Humidity	10% - 95% , non-condensing
Vibration Endurance	3 Grms with SSD (5 to 500Hz, X, Y, Z directions)
Dimensions	366.8 mm (14.44") (W) x 235 mm (9.25") (D) x 83.8 mm (3.3") (H)
Weight (net/gross)	4.13 kg (9.11 lb)/5.5 kg (12.13 lb)
Certifications	CE, FCC Class A
OS Support	Linux Ubuntu 18.04

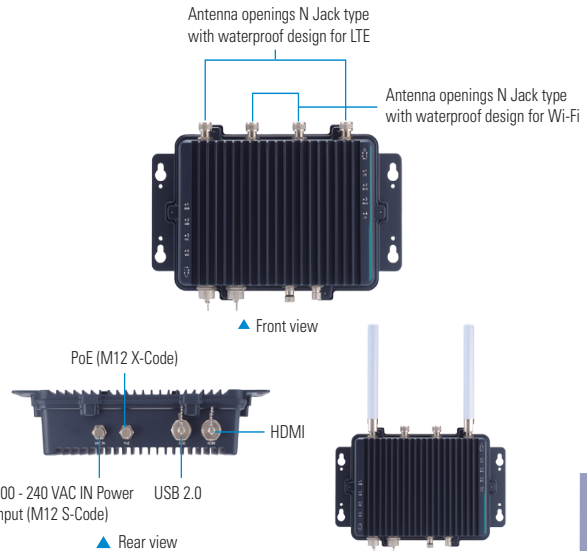
Packing List

- 1 x Screws pack
- 1 x Thermal pad kit

Power Protection

DC Version

- OVP (over voltage protection)
- OCV (over current protection)
- SCP (short circuit protection)
- SPD (surge protection device)

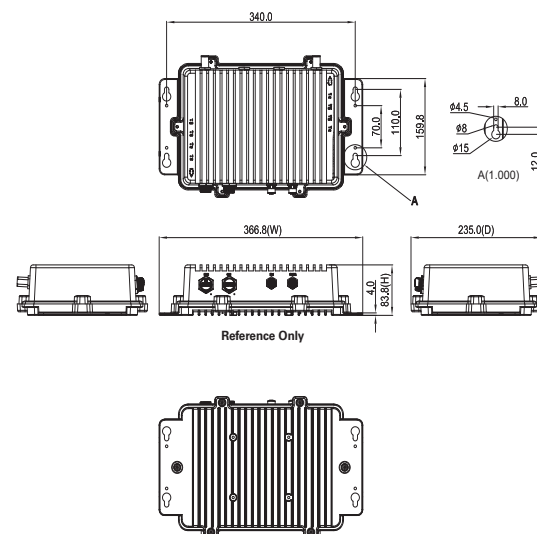


Ordering Information

Standard	
AIE800-904-FL	Rugged IP67-rated fanless edge AI system with NVIDIA® Jetson Xavier™ NX, 1 HDMI, 1 GbE PoE, 1 USB and 100 to 240 VAC Power Input
Optional	
M.2 NVMe SSD	128GB or above
594B8152710E	LAN/PoE cable, 180 cm
594K2303810E	HDMI cable, 100 cm
594K2302810E	USB cable, 200 cm
594K2300A10E	AC power cord, wire only, 180 cm
	Wi-Fi module kit
	LTE module kit

* Specifications and certifications may vary based on different requirements.

Dimensions



Assured Systems

Assured Systems is a leading technology company with over 1,500 regular clients in 80 countries, deploying over 85,000 systems to a diverse customer base in 12 years of business. We offer high-quality and innovative rugged computing, display, networking and data collection solutions to the embedded, industrial, and digital-out-of-home market sectors.

US

sales@assured-systems.com

Sales: +1 347 719 4508
Support: +1 347 719 4508

1309 Coffeen Ave
Ste 1200
Sheridan
WY 82801
USA

EMEA

sales@assured-systems.com

Sales: +44 (0)1785 879 050
Support: +44 (0)1785 879 050

Unit A5 Douglas Park
Stone Business Park
Stone
ST15 0YJ
United Kingdom

VAT Number: 120 9546 28
Business Registration Number: 07699660