

# eBOX800-841-FL

Rugged IP67-rated Fanless Embedded System with Intel® Atom® Processor E3845, VGA, 2 GbE LANs, 2 USB, 2 COM and 9 to 36 VDC

## Features

- IP67-rating for outdoor use
- Intel® Atom® processor E3845 onboard
- 4 N-jack antenna openings with water proof design
- -30°C to +60°C operating temperature range
- 9 to 36 VDC wide range power input
- Features M12 lockable I/Os
- Rich I/O options for customized designs and mission-critical projects
- Trusted Platform Module 1.2 (TPM) 1.2



## Specifications

Standard Color	Black
Construction	Aluminum die-casting and heavy-duty steel, IP67
CPU	Intel® Atom® processor E3845 1.91 GHz
System Memory	1 x 204-pin DDR3L-1066/1333 SO-DIMM, up to 8GB
Chipset	SoC integrated
BIOS	AMI
System I/O Outlet	2 x RS-232/422/485 (M12) 1 x VGA (M12) 2 x 10/100/1000 Mbps Ethernet (Intel® i210-IT, M12) 2 x USB 2.0 (M12) 1 x 9 to 36 VDC power input (M12) 1 x ATX power switch with indicator 4 x N-jack antenna opening with water proof design
Watchdog Timer	255 levels, 1 to 255 sec.
Storage	1 x 2.5" HDD drive bay (max. up 9.5 mm height) 1 x mSATA (enabled in BIOS setting) 1 x CFast™
Expansion Interface	1 x Full-size PCI Express Mini Card slot (USB + PCI Express signal) 1 x Half-size PCI Express Mini Card slot (USB + PCI Express signal) 1 x SIM slot
TPM	TPM 1.2
System Indicator	1 x Green LED for system power-on
Power Input	9 to 36 VDC
Operating Temperature	-30°C to +60°C (-22°F to +140°F) (with E3845, W.T. SSD/DRAM)
Humidity	10% to 95% , non-condensing
Vibration Endurance	3 Grms with SSD (5 to 500Hz, X, Y, Z directions)
Dimensions	210 mm (8.27") x 366.83 mm (14.44") x 83 mm (3.27")
Weight (net/gross)	4.31 kg (9.5 lb)/5.1 kg (11.24 lb)
Certifications	CE, FCC Class A
EOS (Support)	Win 10 IoT, WE8S, WES7, Linux

\* W.T.: Wide Temperature. All W.T. supported products have to be sorted by Axiomtek.

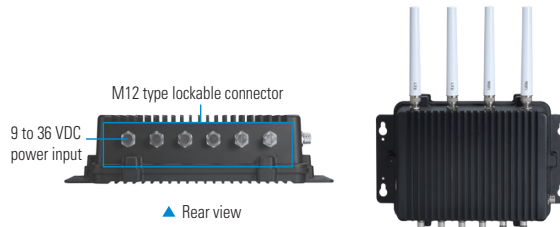
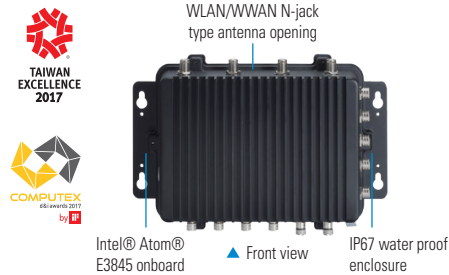
## Packing List

- 1 x Quick manual
- 1 x Driver CD
- 1 x Water-proof PWR cable (100 cm)
- 1 x Water-proof VGA cable (180 cm)
- 1 x Water-proof USB 2.0 cable (180 cm)

## Power Protection

### DC Version

- OVP (over voltage protection)
- OCP (over current protection)
- SCP (short circuit protection)



## Ordering Information

### Standard

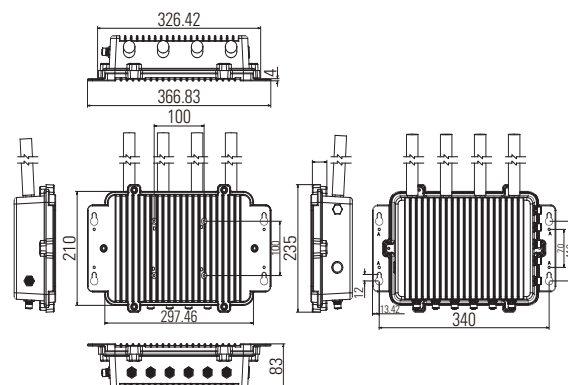
eBOX800-841-FL-DC	Rugged IP67-rated fanless embedded system with Intel® Atom® E3845 1.91 GHz, VGA, 2 GbE LANs, 2 USB, 2 COM and 9 to 36 VDC
-------------------	---

### Optional

2.5" SATA HDD (W.T.)	80GB or above
2.5" SATA SSD (W.T.)	100GB or above
DDR3L SO-DIMM (W.T.)	2GB to 8GB
CFast™	64GB or above
mSATA	64GB or above
8816K8002A0E	Wi-Fi module
	3G/LTE module
594B8122100E	RS-232 serial cable, 180 cm
594B8152710E	LAN cable, 180 cm
50966224010E	24V 90W M12 power adapter

\* Specifications and certifications may vary based on different requirements.

## Dimensions



## Assured Systems

Assured Systems is a leading technology company with over 1,500 regular clients in 80 countries, deploying over 85,000 systems to a diverse customer base in 12 years of business. We offer high-quality and innovative rugged computing, display, networking and data collection solutions to the embedded, industrial, and digital-out-of-home market sectors.

### US

[sales@assured-systems.com](mailto:sales@assured-systems.com)

Sales: +1 347 719 4508  
Support: +1 347 719 4508

1309 Coffeen Ave  
Ste 1200  
Sheridan  
WY 82801  
USA

### EMEA

[sales@assured-systems.com](mailto:sales@assured-systems.com)

Sales: +44 (0)1785 879 050  
Support: +44 (0)1785 879 050

Unit A5 Douglas Park  
Stone Business Park  
Stone  
ST15 0YJ  
United Kingdom

VAT Number: 120 9546 28  
Business Registration Number: 07699660