

eBOX625-842-FL

Fanless Embedded System with Intel® Celeron® J1900 2.0 GHz, HDMI, VGA, 2 GbE LAN, 4 USB and 2 COM

Features

- Intel® Celeron® J1900 2.0 GHz quad-core SoC
- 204-pin DDR3L-1066/1333 SO-DIMM, up to 8GB
- Fanless operation design with full feature I/O
- 2 RS-232/422/485 and 4 USB 2.0 ports
- One 2.5" 9.5 mm SATA drive bay and mSATA supported
- 2 PCI Express Mini Card slots and 1 SIM slot
- VGA and HDMI with dual-view supported
- -20°C to +60°C wide operating temperature range

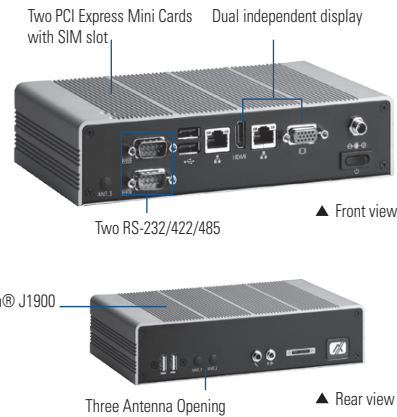


Specifications

Standard Color	Silver-Black
Construction	Aluminum extrusion and heavy-duty steel, IP40
CPU	Intel® Celeron® J1900 2.0 GHz
System Memory	1 x 204-pin DDR3L-1066/1333 SO-DIMM, up to 8GB
Chipset	SoC integrated
BIOS	AMI
System I/O Outlet	2 x RS-232/422/485 1 x VGA 1 x HDMI 1 x Audio (Mic-in/Line-out) 2 x 10/100/1000Mbps Ethernet (Intel® i211AT) 4 x USB 2.0 3 x SMA type connector opening for antenna 1 x VDC 12V power input connector 1 x ATX power switch 8 channel programmable digital I/O (J1900 version only)
Watchdog Timer	255 levels, 1 to 255 sec.
Storage	1 x 2.5" 9.5 mm SATA HDD drive bay 1 x mSATA
Expansion Interface	1 x full-size PCI Express Mini Card slot (USB + PCI Express signal) 1 x half-size PCI Express Mini Card slot (USB + PCI Express signal) 1 x SIM slot
TPM	TPM 1.2 supported
System Indicator	1 x green LED for system power-on 1 x orange LED for HDD active
Power Supply	Input AC 90 to 264V, AC 36W adapter with lock Output: DC 12V @ 3A
Operating Temperature	-20°C to +60°C (with E3826, W.T. SSD/CAPA841) -20°C to +55°C (with J1900, W.T. SSD/CAPA842)
Humidity	10% to 90% , non-condensing
Vibration Endurance	3 Grms with SSD (5 to 500Hz, X, Y, Z directions)
Dimensions	200 mm (7.87") (W) x 120 mm (4.72") (D) x 46 mm (1.81") (H)
Weight (net/gross)	1.1 kg (2.43 lb)/ 1.8 kg (3.97 lb)
Certificate	CE
EOS Support	WE8S, WES7

Packing List

- 1 x Quick manual
- 1 x Driver cd
- 1 x Screw pack
- 4 x Foot pad



Power Protection

AC Version

- OVP (over voltage protection)
- OCV (over current protection)
- SCP (short circuit protection)

Ordering Information

Standard

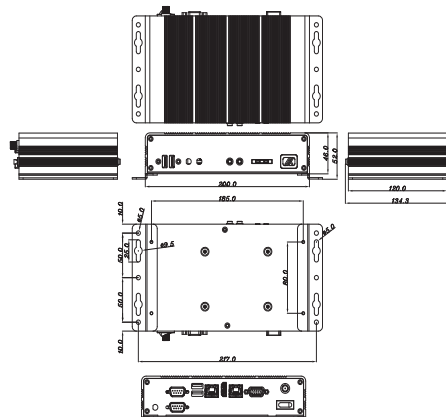
eBOX625-842-FL-J1900-US	Fanless embedded system with Intel® Celeron® J1900 2.0 GHz, 2 GbE LANs, 4 USB, 2 COM, 8 CH DI/DO, 36W AC/DC adapter and US power cord
eBOX625-842-FL-J1900-EU	Fanless embedded system with Intel® Celeron® J1900 2.0 GHz, 2 GbE LANs, 4 USB, 2 COM, 8 CH DI/DO, 36W AC/DC adapter and EU power cord

Optional

2.5" SATA HDD	40GB or above
2.5" SATA SSD	4GB or above
DDR3L SO-DIMM	1GB to 8GB
wall mount	88606200010E
VESA arm kit	88606200020E
DIN-rail kit	88606200030E
Wi-Fi module	
Power cord	

*Specifications and certifications may vary according to various options.

Dimensions



Assured Systems

Assured Systems is a leading technology company with over 1,500 regular clients in 80 countries, deploying over 85,000 systems to a diverse customer base in 12 years of business. We offer high-quality and innovative rugged computing, display, networking and data collection solutions to the embedded, industrial, and digital-out-of-home market sectors.

US

sales@assured-systems.com

Sales: +1 347 719 4508
Support: +1 347 719 4508

1309 Coffeen Ave
Ste 1200
Sheridan
WY 82801
USA

EMEA

sales@assured-systems.com

Sales: +44 (0)1785 879 050
Support: +44 (0)1785 879 050

Unit A5 Douglas Park
Stone Business Park
Stone
ST15 0YJ
United Kingdom

VAT Number: 120 9546 28
Business Registration Number: 07699660