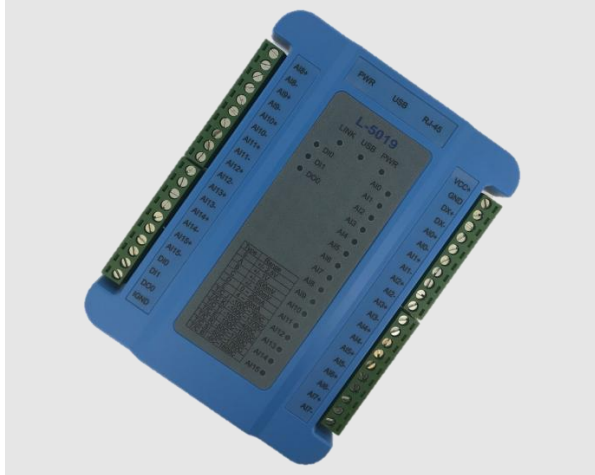




L-5019

16-CH Thermocouple Input module with 2-ch Isolated DI and 1-ch DO



Features:

- Protocol USB2.0 TCP/IP, MODBUS RTU, MODBUS TCP ASCII Command
- Support USB2.0, 10/100 Ethernet, RS-485/232C
- Support Thermocouple J, K, T, R, S, E, B, N, C Type
- Support isolated input channels
- Fully photo-isolation 3750Vrms
- Wide supply voltages (10~30V)
- Built-in TVS/ESD protection
- Burn-out auto detection

Specifications:

Interface:

Communication	USB2.0, 10/100 Ethernet, RS485/232C
Protocol	TCP, UDP, DHCP, ARP, MODBUS RTU, MODBUS TCP ASCII Command
LED indication	LED for Power, USB and Ethernet Link Status
Isolation voltage	3000VDC

Analog input:

Effective resolution	16-bit
Input channels	16channels analog input
Input type	Voltage, Current, Thermocouple
Input range	$\pm 15\text{mV}$, $\pm 50\text{mV}$, $\pm 100\text{mV}$, $\pm 500\text{mV}$, $\pm 1\text{V}$, $\pm 2.5\text{V}$, $\pm 20\text{mA}$
Thermocouple Type	J, K, T, R, S, E, B, N, C
Sampling rate	10 Samples/Second
Input Impedance	10 M Ω
Accuracy	$\pm 0.05\%$ or better
Zero drift	$\pm 20\mu\text{V}/^\circ\text{C}$
Span drift	25ppm/ $^\circ\text{C}$

Digital Input:

Input Channel	2 channels
Input type	Voltage or Switch On/Off
	Logic Low: $0 < V_{in} < 3\text{Vdc}$
	Logic High: $5\text{V} < V_{in} < 24\text{Vdc}$
Isolation voltage	2000V

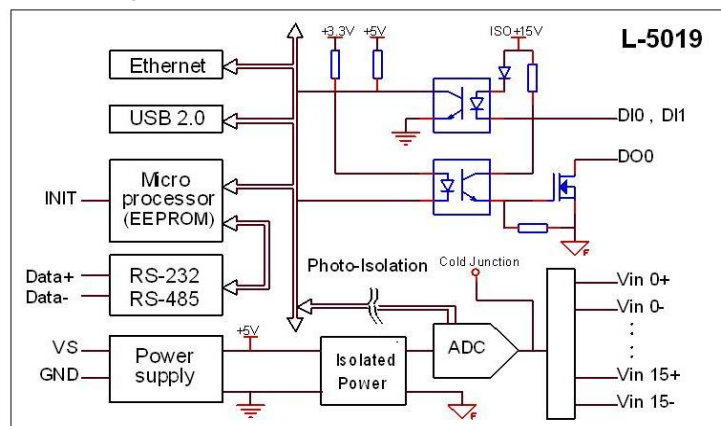
Digital Output:

Output Channel	1 channels
Output Type	Open Collect to 30Vdc/3A(max)
Isolation voltage	2000V

Power requirement:

Consumption	1.5 W/Typical, 2W/max
Power input	USB powered (400mA max.) or external unregulated +10~ +30 VDC
Humidity	5 ~ 95% RH, non-condensing

Block Diagram



Assured Systems

Assured Systems is a leading technology company with over 1,500 regular clients in 80 countries, deploying over 85,000 systems to a diverse customer base in 12 years of business. We offer high-quality and innovative rugged computing, display, networking and data collection solutions to the embedded, industrial, and digital-out-of-home market sectors.

US

sales@assured-systems.com

Sales: +1 347 719 4508
Support: +1 347 719 4508

1309 Coffeen Ave
Ste 1200
Sheridan
WY 82801
USA

EMEA

sales@assured-systems.com

Sales: +44 (0)1785 879 050
Support: +44 (0)1785 879 050

Unit A5 Douglas Park
Stone Business Park
Stone
ST15 0YJ
United Kingdom

VAT Number: 120 9546 28
Business Registration Number: 07699660