

ARC-1037

10.4" Intel® Processor N97 Fanless Rugged Touch Panel PC with IET Expansion



Features

- 10.4" XGA LCD with 5-wire resistive touch
- Intel® Processor N97
- 1 x 262-pin DDR5 4800MHz S0-DIMM socket, supports up to 16GB max (non ECC only)
- 2 x LAN (2.5GbE), 2 x COM, 2 x USB3.2
- 1 x USB type C (w/ PD (20V/3A input), USB3.2 (Gen2x1, 10Gbps, 5V/3A output), display function)
- Available expansion for audio, USB, COM, HDMI, MPCIe, GPIO, CAN bus
- 2 x M.2 slots (Key-B 2242/3042/3052 with SIM slot1, Key-E 2230)
- Wi-Fi / BT / 4G / 5G (by option)
- Rugged design for vibration & shock protection
- Wide range DC power input +12 ~ 24Vdc
- Service window for storage and memory module
- IP65 compliant front panel, IP41 rear box



+12V ~ +24V



Resistive



Fanless



0°C ~ 50°C



Front IP65
Rear IP41

Specifications

System Information

Processor	Intel® Processor N97, 6M Cache, up to 3.6 GHz
System Memory	262-pin DDR5 4800MHz S0-DIMM socket, supports up to 16GB max (non ECC only)
Watchdog Timer	H/W reset, 1sec. ~ 65535sec
H/W Status Monitor	Monitoring CPU & system temperature monitoring and voltages monitoring
TPM	TPM 2.0 (by default)
SBC	ARC-ADLN
CPU Cooler (Type)	Fanless heatsink

Expansion

Expansion	1 x M.2 (Key-B, 2242/3042/3052, SATAIII, USB3.2 Gen1x1 (default, 5Gbp/s) or PCIe1 (via OEM BIOS request), USB2.0, SIM slot for LTE cards (*not support PCIe2 device) 1 x M.2 (Key-E, 2230, PCIe1, USB2.0); 1 x 80-pin IET interface
-----------	--

Storage

Storage	1 x 2.5" Drive bay (7mm HDD restricted)
HDD/ SSD	1 x SATA3
Other Storage Device	1 x M.2 Key-B 2242/3042/3052 for M.2 SATAIII SSD

Audio

Audio Codec	Realtek ALC888S
Speaker Output	2 x 2W

Ethernet

LAN Chipset	2 x Intel® I226IT 2.5 Gigabit Ethernet
Ethernet Interface	10/100/1000/2.5G Base-Tx GbE compatible

Power Requirement

DC Input	+12V ~ +24V
DC Input Connector	Lockable DC Jack (default), Optional for phoenix connector
ACPI	Single power ATX support S0, S3, S4, S5 and ACPI 3.0 compliant

Software Support

OS	Win10 / Win11 / Linux
----	-----------------------

Certification

Certification Information	CE / FCC Class B / UKCA / VCCI
---------------------------	--------------------------------

System Control

LED Indicator	HDD LED, power LED
---------------	--------------------

Component

Adapter	Input: 100 ~ 240Vac/ 50 ~ 60Hz Output: 72W adapter (19V @ 3.78A adapter) AC-DC adapter
---------	---

Panel

LCD Size, Display Type	10.4" 4:3, XGA
Resolution	1024 x 768
Pixel Pitch	0.0685mm (H) x 0.2055mm (V)
Luminance	500 cd/m ²
Contrast Ratio	1200
Viewing Angle	88 (U), 88 (D), 88 (L), 88 (R)
Response Time	25 ms
Backlight	LED
Touch Type	5 wires resistive
Touch Light Transmission	80 %
Touch Controller	Onboard USB touch (penmount)

External I/O

USB	2 x USB3.2 (1 x double deck, type A); 1 x USB type C (w/ PD (20V/3A input), USB3.2 (Gen2x1, 10Gbps, 5V/3A output), display function)
LAN Port	2 x RJ-45
COM Port	1 x RS-232/422/485, 1 x RS-232

Internal I/O

Expansion	1 x M.2 (Key-B, 2242/3042/3052, SATAIII, USB3.2 Gen1x1 (default, 5Gbp/s) or PCIe1 (via OEM BIOS request), USB2.0, SIM slot for LTE cards (*Not support PCIe2 device) 1 x M.2 (Key-E, 2230, PCIe1, USB2.0); 1 x 80-pin IET interface
DIO	12-bit GPIO + 2-pin CAN bus (by ARC-BYT DB-E)
Other	3 x Knockouts for antenna mounting

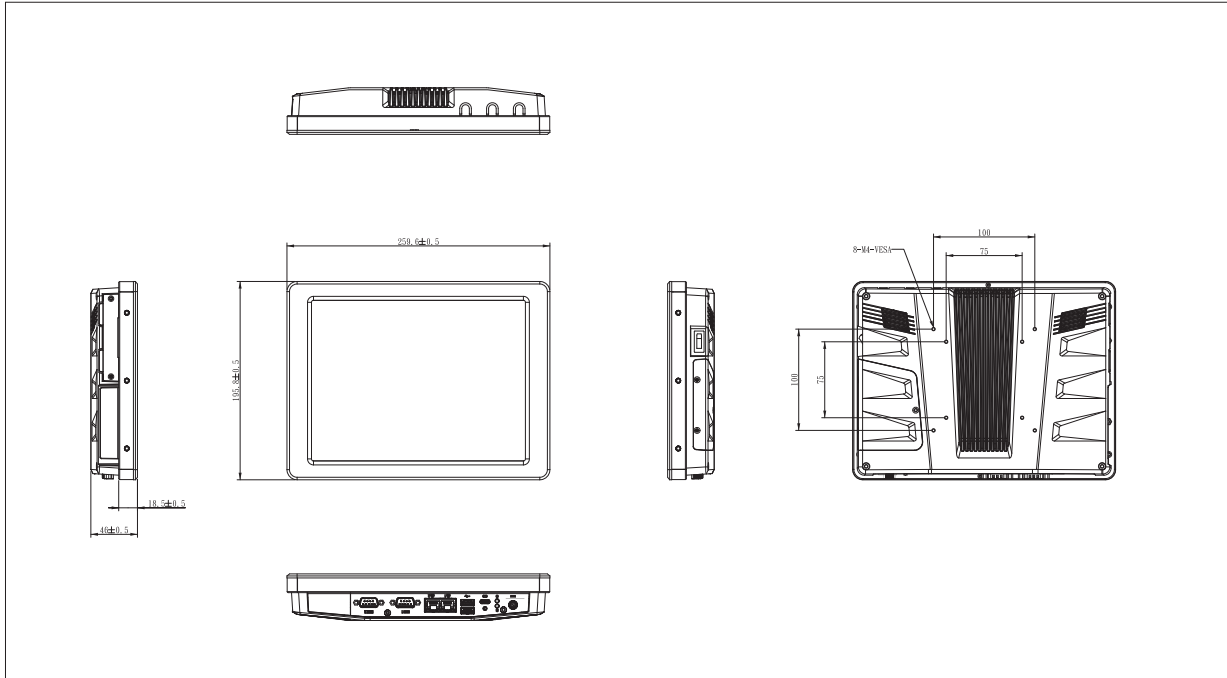
Mechanical & Environmental

Operating Temp.	0°C ~ 50°C (-14°F ~ 122°F)
Storage Temp.	-20°C ~ 60°C (-4°F ~ 140°F)
Operating Humidity	40°C @ 95% Relative humidity, non-condensing
Dimension (W x L x H)	259.6 x 195.8 x 46mm
Weight	2.3 Kg
Vibration Test	With SSD/mSATA : 2.24Grms, IEC 60068-2-64, random, 5 ~ 500Hz, 1hr/axis
Shock Test	Operating with SSD/CFast/mSATA : MIL-STD-810G, method 516.6, procedure I, functional shock=20G
Drop Test	ISTA 2A, IEC-60068-2-32 Test:Ed
IP Rating	Front panel IP65, Back cover IP41
Mounting Kit	Wall / Stand / VESA 75mm x 75mm, 100mm x 100mm
Power Mode	AT/ATX (ATX is default)
Construction	Silver aluminum (Front), Black die casting (Rear)

ARC-1037

10.4" Intel® Processor N97 Fanless Rugged Touch Panel PC with IET Expansion

Mechanical Drawing



Ordering Information

P/N	Touch Type	Processor	Memory	Storage	Resolution	Luminance	COM	USB	LAN	Power Input	Operating Temp.	OS Support
ARC-1037-N97-A1R	Resistive	N97	262-pin DDR5 4800MHz SO-DIMM	1 x 2.5" Drive bay (7mm HDD restricted)	1024 x 768	500	2	3	2	+12V ~ +24V	0°C - 50°C	Win10 / Win11 / Linux

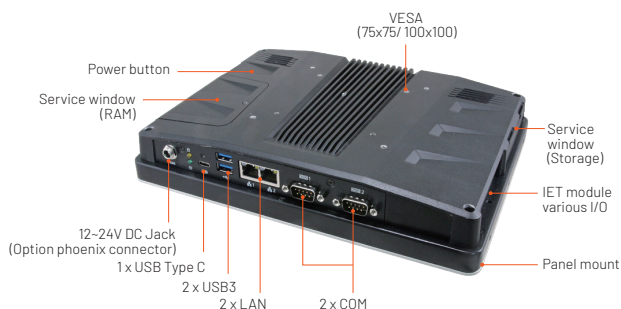
Packing List

Item	P/N	Quantity
AC/DC adapter 19V/3.78A Screw Type	ACC-ADP-072N-02R	1
HDD shockproof Rubber	ACC-RUBBER-0001R	4
M4 x 6mm Screw for VESA	ACC-SCREW-0002R	4
M3 x 8mm Screw for HDD	ACC-SCREW-0005R	4

Optional Items

Item	P/N
4 x USB 3.0 Kit for ARC Series	ACC-ARC-USB-1R
HDMI + 5.1CH Audio Kit for ARC Series	ACC-ARC-AUDIO-1R
HDMI + MPCIE w/SIM Kit for ARC Series	ACC-ARC-MPCIE-1R
2 x Isolated RS-232 Kit for ARC Series	ACC-ARC-COM-1R
3 x RS-232 Kit for ARC Series	ACC-ARC-COM-2R
2 x RS-232 + USB Kit for ARC Series	ACC-ARC-COM-3R
2 x RS-232 + LAN Kit for ARC Series	ACC-ARC-COM-4R
12-bit GPIO + 2-pin CAN Bus Kit for ARC Series	ACC-ARC-GPIO-1R
OBDII - CAN Bus Kit for ARC Series (OBDII/E0BD for Small Vehicle)	ACC-ARC-OBDII-1R
OBDII - CAN Bus Kit for ARC Series (J1939J1708 for Large Vehicle)	ACC-ARC-OBDII-2R
OBDII - CAN Bus Kit for ARC Series (ISO15765-4 for Special Large Vehicle)	ACC-ARC-OBDII-3R
USA Power Cord	E1702031835R
EU Power Cord	E170203183DR
Japan Power Cord	E170203183BR
UK Power Cord	E170203183ER
Australia Power Cord	E1702031800R

I/O Overview



Assured Systems

Assured Systems is a leading technology company with over 1,500 regular clients in 80 countries, deploying over 85,000 systems to a diverse customer base in 12 years of business. We offer high-quality and innovative rugged computing, display, networking and data collection solutions to the embedded, industrial, and digital-out-of-home market sectors.

US

sales@assured-systems.com

Sales: +1 347 719 4508

Support: +1 347 719 4508

1309 Coffeen Ave
Ste 1200
Sheridan
WY 82801
USA

EMEA

sales@assured-systems.com

Sales: +44 (0)1785 879 050

Support: +44 (0)1785 879 050

Unit A5 Douglas Park
Stone Business Park
Stone
ST15 0YJ
United Kingdom

VAT Number: 120 9546 28

Business Registration Number: 07699660