

LNP-C501G-SFP-bt Series

5-Port Industrial Compact Gigabit IEEE 802.3bt PoE++ Unmanaged Ethernet Switch, 4*10/100/1000TX (90W/Port) and 1*100/1000 SFP Slot



FEATURES

- ▶ Support 4*10/100/1000Tx IEEE 802.3bt Compliant with 90W/Port and 1*100/1000 SFP Slot
- ▶ Support PD Remote Rest Technology (PRRT)
- ▶ Adjustable SFP Speed with DIP-Switch Setting
- ▶ Store-and-Forward Switching Architecture
- ▶ Dual Power Input 48~55VDC in 6-Pin Terminal Block
- ▶ Support Power Inputs Reverse Polarity Protection
- ▶ IP40 Protection
- ▶ DIN-Rail or Wall Mountable
- ▶ Operating Temperature - STD: -10°C to 65°C, EOT: -40°C to 75°C
- ▶ 5-Year Warranty

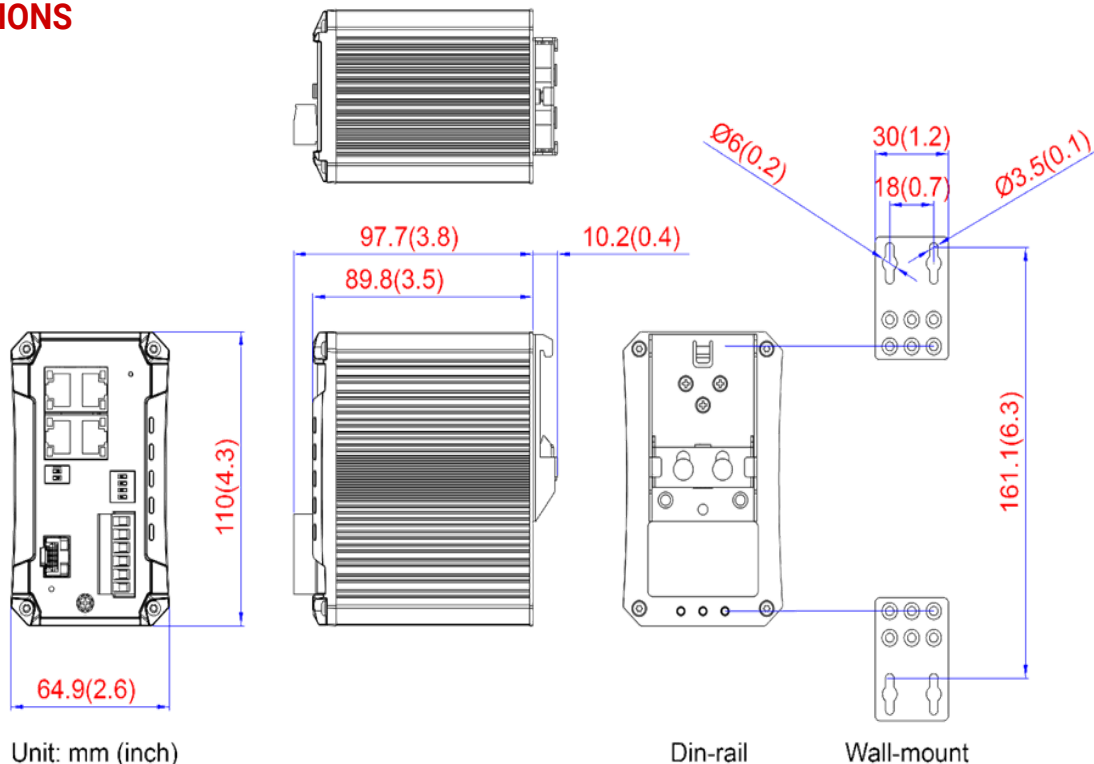


INTRODUCTION

Antaira Technologies' LNP-C501G-SFP-bt Series is a 5-port industrial compact Gigabit PoE++ unmanaged Ethernet switch embedded with 4*10/100/1000Tx Ethernet ports that support IEEE802.3bt for a maximum of 90W/port, and 1*100/1000 dual rate SFP slot for fiber connection.

The LNP-C501G-SFP-bt series is IP40 rated and DIN-rail mountable. There are also two wide-operating temperature models for either a standard temperature range (STD: -10°C to 65°C) or an extended temperature range (EOT: -40°C to 75°C). It also provides high EFT and ESD protection for industrial networking applications, such as power/utility, water wastewater, oil/gas/mining, factory automation, security surveillance, ITS, and any other outdoor or harsh environment.

DIMENSIONS



SPECIFICATIONS

TECHNOLOGY		MECHANICAL CHARACTERISTICS	
Standards	IEEE 802.3 10Base-T Ethernet	Housing	Metal, IP40 protection
	IEEE 802.3u 100Base-TX Fast Ethernet	Dimension	64.9 x 110 x 89.8 mm (W x H x D)
	IEEE 802.3ab 1000Base-T Gigabit Ethernet	Weight	Unit: 1.95 lb Shipping: 2.49 lb
	IEEE 802.3z 1000Base-X Gigabit Fiber	Mounting	DIN-Rail mounting, Wall mounting
	IEEE 802.3af/at/bt Power over Ethernet		
SWITCH PROPERTIES		POWER REQUIREMENT	
Switch Architecture	Switching Fabric (Back-Plane): 10Gbps	Input Voltage	48~55VDC Redundant Input (53~55VDC power input for BT PoE PSE)
Processing Type	Store and Forward	Power Connection	1 removable 6-contact terminal block
Flow Control	IEEE 802.3x flow control, back pressure flow control	Relay Contact	24VDC, 1A resistive
Protocol	CSMA/CD	Overload Current Protection	Present (Slow-Blown Fuse)
Transfer Rate	14,880pps for Ethernet	Reverse Polarity Protection	Present
	148,800pps for Fast Ethernet	System Power Consumption	4.6 Watts
	1,488,000pps for Gigabit Ethernet		
MAC Table Size	8K	PoE Pin Out	V-, V-, V+, V+ for pin 1, 2, 3, 6 V+, V+, V-, V- for pin 4, 5, 7, 8 *Support Modes: Mode A, Mode B, 4-Pair Mode
Jumbo Frame	10Kbytes	PoE Power Budget	240W
Memory Buffer	1Mbit	ENVIRONMENTAL LIMITS	
PORT INTERFACE		Operating Temperature	STD: -10°C to 65°C EOT: -40°C to 75°C
Ethernet Port	4*10/100/1000Base-TX (90W/Port), auto negotiation speed, Full/Half duplex mode, and auto MDI/MDI-X connection	Storage Temperature	-40°C ~ 85°C
SFP Port	1*100/1000 SFP Slot	Ambient Relative Humidity	5 to 95%, (non-condensing)
LED Indicators	System: Power 1, Power 2, Fault PoE Load: 70%, 90%	REGULATORY APPROVALS	
	Ethernet ports: Speed/Link/Active PoE: On-connected to PD devices SFP: Speed/Link/Active	EMI	FCC Part 15 Subpart B Class A, CE EN55032/EN61000-6-4 Class A
DIP Switch	PoE Switch: Control PoE Function by Port DIP Switch 1: PD Remote Reset Technology (PRRT) Enable/Disable DIP Switch 2: SFP Speed (1000Mbps/100Mbps)	EMS	CE EN55035/EN61000-6-2, IEC61000-4-2,3,4,5,6,8
	10BaseT: 2-pair UTP/STP Cat. 3, 4, 5 cable EIA/TIA-568 100-ohm (100m) 100BaseTX: 2-pair UTP/STP Cat. 5 cable EIA/TIA-568 100-ohm (100m) 1000BaseTX: UTP/STP Cat. 5/5E cable; EIA/TIA-568 100-ohm (100m)	Certifications	FCC, CE, UL61010-1, UL61010-2-201
Network Cable		Warranty	5 Years

ORDERING INFORMATION

LNP-C501G-SFP-bt	5-Port Compact Industrial Gigabit IEEE 802.3bt PoE++ Unmanaged Ethernet Switch, 4*10/100/1000TX (90W/Port) and 1*100/1000 SFP Slot
LNP-C501G-SFP-bt-T	5-Port Compact Industrial Gigabit IEEE 802.3bt PoE++ Unmanaged Ethernet Switch, 4*10/100/1000TX (90W/Port) and 1*100/1000 SFP Slot; EOT: -40°C to 75°C

Assured Systems

Assured Systems is a leading technology company with over 1,500 regular clients in 80 countries, deploying over 85,000 systems to a diverse customer base in 12 years of business. We offer high-quality and innovative rugged computing, display, networking and data collection solutions to the embedded, industrial, and digital-out-of-home market sectors.

US

sales@assured-systems.com

Sales: +1 347 719 4508

Support: +1 347 719 4508

1309 Coffeen Ave
Ste 1200
Sheridan
WY 82801
USA

EMEA

sales@assured-systems.com

Sales: +44 (0)1785 879 050

Support: +44 (0)1785 879 050

Unit A5 Douglas Park
Stone Business Park
Stone
ST15 0YJ
United Kingdom

VAT Number: 120 9546 28

Business Registration Number: 07699660