

F65EAC-IT32

Full IP65 Rugged Embedded PC with M12 Connector, Intel® Core™ i5-1135G7



KEY FEATURES

- Full IP65 rugged embedded pc, aluminum profile with fin
- Ultra compact size with fanless design, box PC with M12 connector
- Support M.2 SSD
- One M.2 socket expansion
- 9~36V DC with isolation
- 11th Generation (Tiger Lake) Intel® Core™ i5-1135G7 Processor
- M12 waterproof connector



SPECIFICATIONS

System Specification			
WLAN	Support (Optional)	BT	Support (Optional)
Processor	Intel Core i5-1135G7 2.4GHz (up to 4.2GHz)	Memory	1 x SO-DIMM, DDR4 3200 MHz, 4GB 8GB (Optional) 16GB (Optional) 32GB (Optional)
Storage	1 x M.2 2280 M-Key NVMe SSD 128GB 256GB (Optional) 512GB (Optional) 1TB (Optional) 2TB (Optional)	Ethernet controller	2 x Intel® Ethernet Controller
Security	TPM 2.0	Operating System	Windows 11 IoT Enterprise (64 bit) (Optional) Windows 11 Pro 64 bit (Optional) Linux Ubuntu 22.04(Do not support Wake on Touch) (Optional)
Mechanical			
Dimension	260.4 x 193 x 50.1 mm(w/o desk mount bracket) 275.4 x 193 x 56.1 mm(w/i desk mount bracket)	Weight	3.0 kg
Mounting	Desk Mount	Enclosure	Aluminum Housing
Cooling System	Fanless design		
Environment			
Operating Humidity	10% to 90% RH, Non-Condensing	Operating Temperature	0°C to 50°C
Storage Temperature	-20°C to 60°C	Shock	Operating, IEC 60068-2-27
Vibration	Operating, IEC 60068-2-64	IP rating	IP65
Certification			
Certification	CE, FCC		
IO Ports			
Power Input	1 x M12 waterproof connector for 9~36V DC	USB Port	1 x M12 waterproof connector for 2 x USB2.0 1 x Waterproof USB Type-A Connector with cover
Serial Port	1 x M12 waterproof connector for RS232/RS422/RS485 (Default RS232) 2 x M12 waterproof connector for RS232 (Optional)	Video	1x Waterproof connector for HDMI output
Expansion Port	1 x M.2 2230 E-Key Slot (for Wi-Fi Module)	LAN	2 x M12 type connector for Giga LAN
Indicator	1 x LED Indicator for power	DIDO	1x M12 type connector for Digital 4 in/ 4 out

1 x LED Indicator for storage
2 x LED Indicator for LAN

(Optional)

Control

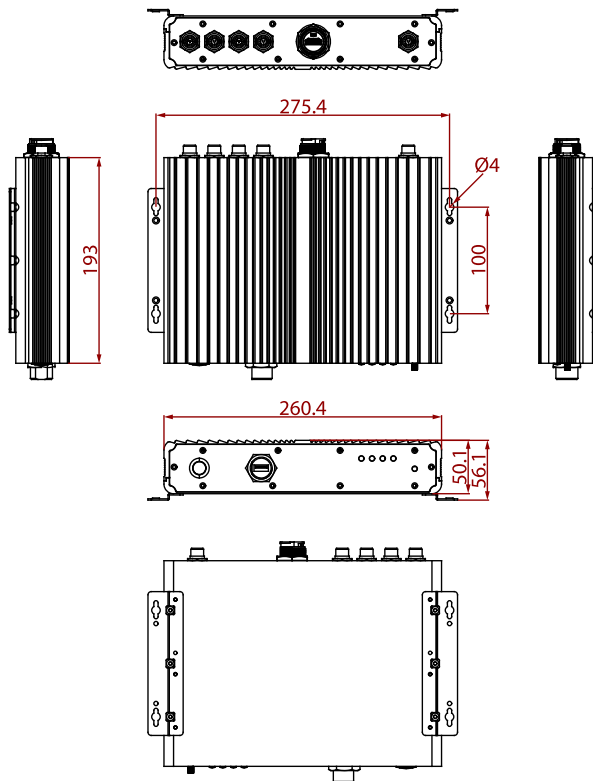
Button 1 x Power Button with LED Indicator

Accessory

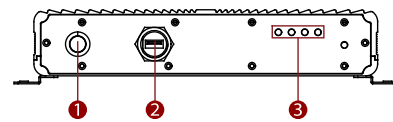
Accessory External open wire Power cable with waterproof connector
External USB cable with waterproof connector
External HDMI cable with waterproof connector
External COM cable with waterproof connector
External LAN cable with waterproof connector
Waterproof caps
RJ45 female-female converter

Optional Accessory 100~240V AC to DC Adapter with waterproof connector (Optional)
Power Cord (Optional)

DIMENSIONS UNIT:MM

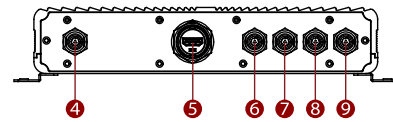


Front side I/O



- 1 Power Switch
- 2 USB Type-A
- 3 LED Indicators

Rear side I/O



- 4 Power Input
- 5 HDMI
- 6 USB
- 7 LAN
- 8 LAN
- 9 COM

NOTE

1. This is a simplified drawing and some components are not marked in detail.
2. Please contact our sales representative if you need further product information.
3. A customized housing is required if you need additional I/O connectors.
4. To connect Winmate stainless series Panel PC or Display it is required to use an optional two sides waterproof connector.
5. All specifications are subject to change without prior notice.
6. The product shown in this datasheet is a standard model. For diagrams that contain customized or optional I/O, please contact the Winmate Sales Team for more information.

Assured Systems

Assured Systems is a leading technology company with over 1,500 regular clients in 80 countries, deploying over 85,000 systems to a diverse customer base in 12 years of business. We offer high-quality and innovative rugged computing, display, networking and data collection solutions to the embedded, industrial, and digital-out-of-home market sectors.

US

sales@assured-systems.com

Sales: +1 347 719 4508
Support: +1 347 719 4508

1309 Coffeen Ave
Ste 1200
Sheridan
WY 82801
USA

EMEA

sales@assured-systems.com

Sales: +44 (0)1785 879 050
Support: +44 (0)1785 879 050

Unit A5 Douglas Park
Stone Business Park
Stone
ST15 0YJ
United Kingdom

VAT Number: 120 9546 28
Business Registration Number: 07699660