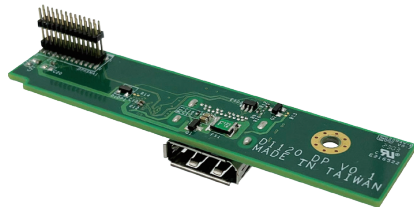


# CMI-DP02

CMI Module with 1x Display Port



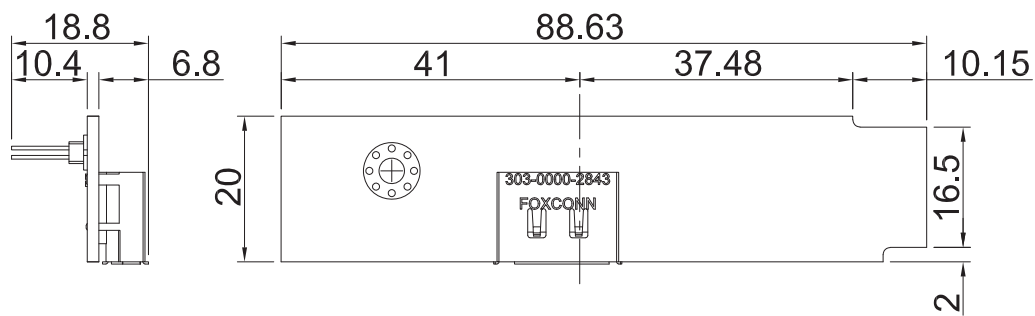
- CMI (Combined Multiple I/O) Technology
- High-resolution support up to 4k x 2k
- Rugged Design Features: Cableless



## Specifications

Interface	• CMI (Combined Multiple I/O) Interface
Display Output	• 1x DisplayPort Connector
Max. Resolution	• 3840 x 2160 @60Hz
Dimension ( W x D x H )	• 88.63 x 20 x 18.8 mm

## Dimensions



Unit: mm

## Ordering Information

### Available Models

Model No.	Description
CMI-DP02-R10	CMI Module with 1x Display Port

### Package Checklist

• CMI Module x1	• Screw Pack x1
-----------------	-----------------

**Compatible List**

Model No.	Product Model
DI Series	DI-1200

## Assured Systems

Assured Systems is a leading technology company with over 1,500 regular clients in 80 countries, deploying over 85,000 systems to a diverse customer base in 12 years of business. We offer high-quality and innovative rugged computing, display, networking and data collection solutions to the embedded, industrial, and digital-out-of-home market sectors.

### US

[sales@assured-systems.com](mailto:sales@assured-systems.com)

Sales: +1 347 719 4508  
Support: +1 347 719 4508

1309 Coffeen Ave  
Ste 1200  
Sheridan  
WY 82801  
USA

### EMEA

[sales@assured-systems.com](mailto:sales@assured-systems.com)

Sales: +44 (0)1785 879 050  
Support: +44 (0)1785 879 050

Unit A5 Douglas Park  
Stone Business Park  
Stone  
ST15 0YJ  
United Kingdom

VAT Number: 120 9546 28  
Business Registration Number: 07699660