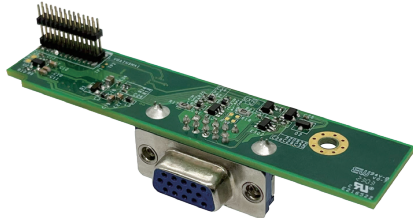


CMI-VGA02

CMI Module with 1x VGA Port



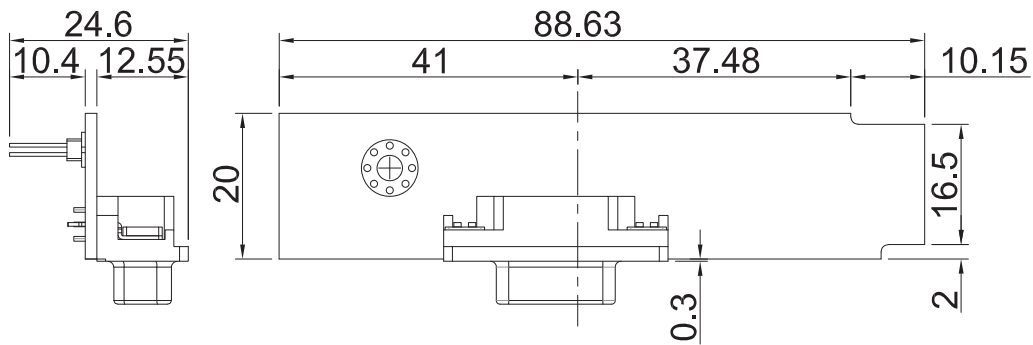
- CMI (Combined Multiple I/O) Technology
- Support Full HD resolution
- Rugged Design Features: Cableless



Specifications

| | |
|-------------------------|---|
| Interface | • CMI (Combined Multiple I/O) Interface |
| Display Output | • 1x VGA Connector |
| Max. Resolution | • 1920 x 1200 @60Hz |
| Dimension (W x D x H) | • 88.63 x 20 x 24.6 mm |

Dimensions



Unit: mm

Ordering Information

Available Models

| Model No. | Description |
|-----------|-----------------------------|
| CMI-VGA02 | CMI Module with 1x VGA Port |

Package Checklist

- CMI Module x1
- Screw Pack x1

Compatible List

| Model No. | Product Model |
|-----------|---------------|
| DI Series | DI-1200 |

Assured Systems

Assured Systems is a leading technology company with over 1,500 regular clients in 80 countries, deploying over 85,000 systems to a diverse customer base in 12 years of business. We offer high-quality and innovative rugged computing, display, networking and data collection solutions to the embedded, industrial, and digital-out-of-home market sectors.

US

sales@assured-systems.com

Sales: +1 347 719 4508
Support: +1 347 719 4508

1309 Coffeen Ave
Ste 1200
Sheridan
WY 82801
USA

EMEA

sales@assured-systems.com

Sales: +44 (0)1785 879 050
Support: +44 (0)1785 879 050

Unit A5 Douglas Park
Stone Business Park
Stone
ST15 0YJ
United Kingdom

VAT Number: 120 9546 28
Business Registration Number: 07699660