



Industrial Solutions Partner!

**SSD4959-I**

**49.5" LCD, 1800 nits LED Backlight , 3840x1080 ultra-wide aspect ratio 16:4.5**

The SSD4959-I is a 49.5 inch color TFT-LCD display with special aspect ratio 16:4.5 and wide resolution 3840 x 1080. It is Litemax's Spanpixel series product which designed for high brightness 1800 nits with power efficiency LED backlight. It provides LCD panel with specific aspect ratios and sunlight readable for digital signage, public transportation, exhibition hall, department store, and vending machine.

**Key Features**

- 49.5" Resizing LCD
- Ultra-Wide Screen (16 : 4.5)
- High Brightness 1800 nits
- LED Backlight
- Wide Viewing Angle of 178°(H), 178°(V)
- Low Power Consumption
- BL MTBF: 100,000 hours



**Specifications**

Model Name	SSD4959-I
Description	49.5" Resizing LCD, 1800 nits LED backlight, 3840x1080
Screen Size	49.5"
Display Area (mm)	1209.6(H) x 340.2(V)
Brightness	1800 cd/m <sup>2</sup>
Resolution	3840x1080
Aspect Ratio	16 : 4.5
Contrast Ratio	6400 : 1
Pixel Pitch (mm)	0.315(H) x 0.315(V)
Pixel Pre Inch (PPI)	81
Viewing Angle	178°(H),178°(V)
Color Saturation (NTSC)	82%
Display Colors	1.07G
Response Time (Typical)	9.5ms
Panel Interface	V-by-One
Input Interface	HDMI x 2, DP
Input Power	AC100~240V
Power Consumption	115W
OSD Key	5 Keys (Power Switch, Menu, +, Exit, -)
OSD Control	Brightness, Color, Contrast, Auto Turing, H/V Position...etc
Dimensions (mm)	1247.2(H) x 381.3(V) x 68.4 (T)
Bezel Size(U/B/L/R)	20.6/20.6/18.8/18.8 mm
Mounting	300x75, 650x100
Weight (Net)	18.5kg
Operating Temperature	0 °C ~ 50 °C
Storage Temperature	-20 °C ~ 60 °C

**SSD= Panel + LED Driving Board + AD Control Board + Housing**

Specifications are subject to change without notice.  
All brands or product names are trademarks or registered trademarks of their respective companies.

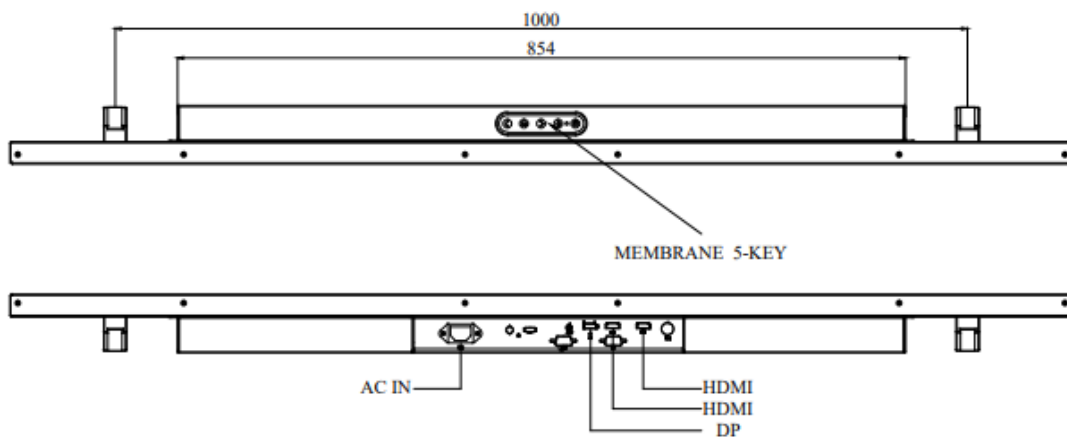
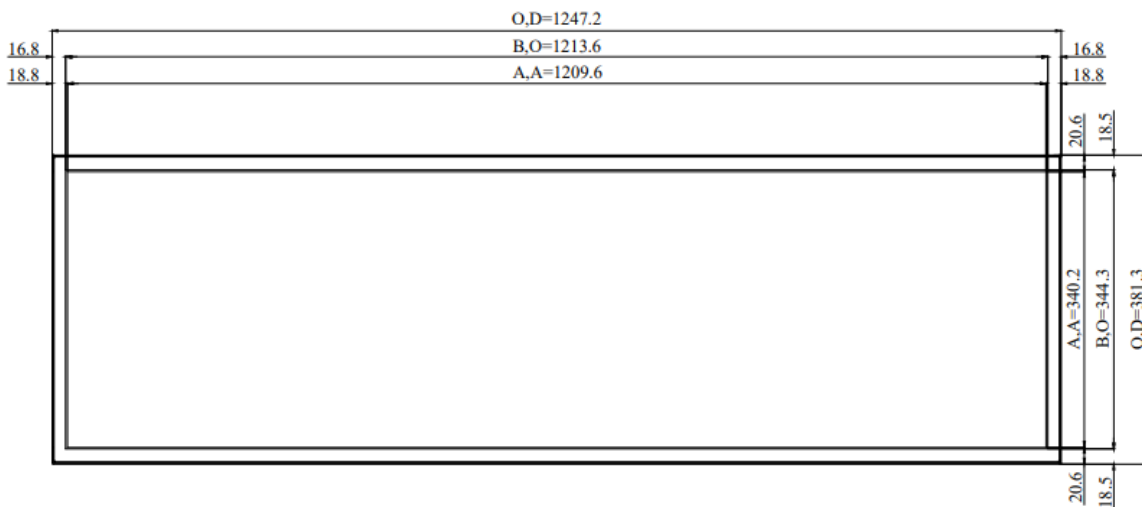
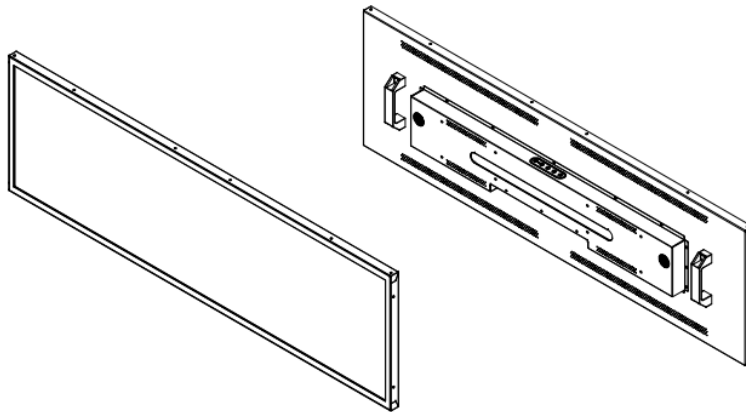


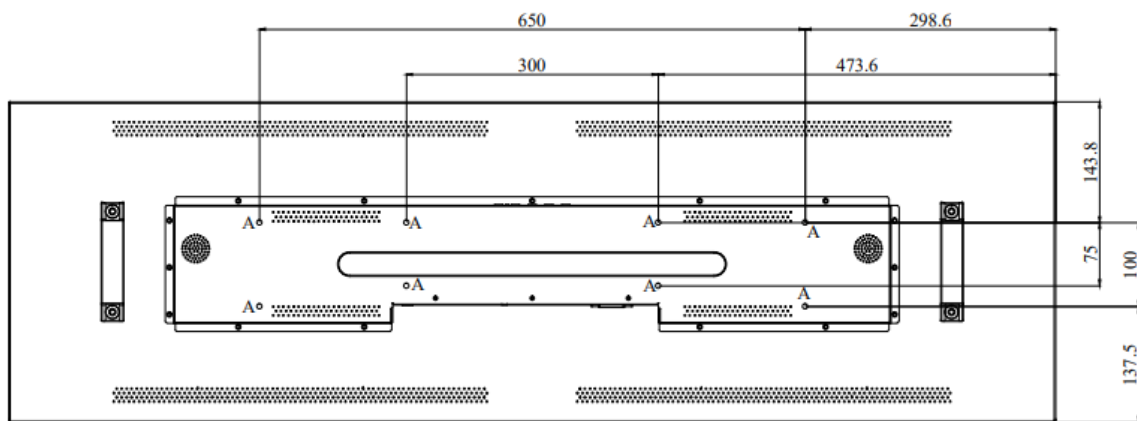
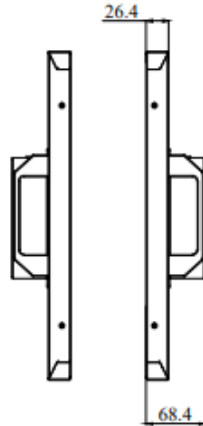
Industrial Solutions Partner!

**Mechanical Drawing**

Outline Dimensions

Unit:mm





**NOTE :**

O.D. : OUTLINE DIMENSION

B.O. : BEZEL OPENING

A.A. : LCD ACTIVE AREA

A : 8-M6\_USER HOLE\_MAX Depth=8mm



**Ordering Information**

Part Number	Description
<b>SSD4959-INU-S11</b>	49.5",1800nits,3840x1080,LID49C,AD68415HHP,O/B,AC100~240V,3in1,V1

**Optional Accessories**

Part Number	Description
<b>810618301010</b>	CABLE,POWER,AC,1830mm USA type
<b>810618301090</b>	CABLE,POWER,AC,1830mm Europe type
<b>810618301050</b>	CABLE,POWER,AC,1830mm UK type
<b>810618301170</b>	CABLE,POWER,AC,1830mm Australia type
<b>810618301031</b>	CABLE,POWER,AC,1830mm Japan type

**Customer request**

<b>Touch</b>	SCT (Single-Touch), PCT (Multi-Touch)
<b>Glass</b>	Tempered glass, AR coating.....

## Assured Systems

Assured Systems is a leading technology company with over 1,500 regular clients in 80 countries, deploying over 85,000 systems to a diverse customer base in 12 years of business. We offer high-quality and innovative rugged computing, display, networking and data collection solutions to the embedded, industrial, and digital-out-of-home market sectors.

### US

[sales@assured-systems.com](mailto:sales@assured-systems.com)

Sales: +1 347 719 4508  
Support: +1 347 719 4508

1309 Coffeen Ave  
Ste 1200  
Sheridan  
WY 82801  
USA

### EMEA

[sales@assured-systems.com](mailto:sales@assured-systems.com)

Sales: +44 (0)1785 879 050  
Support: +44 (0)1785 879 050

Unit A5 Douglas Park  
Stone Business Park  
Stone  
ST15 0YJ  
United Kingdom

VAT Number: 120 9546 28  
Business Registration Number: 07699660