

## FABS-107P/R/G(H)

7" Flat Front Panel IP66 Stainless Chassis Display

Industrial Panel PC

HMI Controller

**Industrial Display Monitor**

Box PC



### Features

- Stainless steel front bezel display
- Flat front panel touch screen
- IP66/IP69K compliant front bezel
- VGA/DP/DVI/HDMI input
- OSD on the rear side
- System power LED light
- High brightness LCD for option
- Wide range DC 9~36V power input



### Specifications

I/O Port	
VGA	1 x VGA
DVI	1 x DVI-D (share with HDMI)
DP	1 x DP
HDMI	1 x HDMI (share with DVI-D)
Audio	1 x Audio line-in phone jack
OSD Control Membrane	OSD at rear side On board controller, extendable key pad from connector
Power	1 x 3-pin terminal block for DC 9~36V power input 1 x USB type B for touch control
Others	Optional I/O: 1 x Speaker

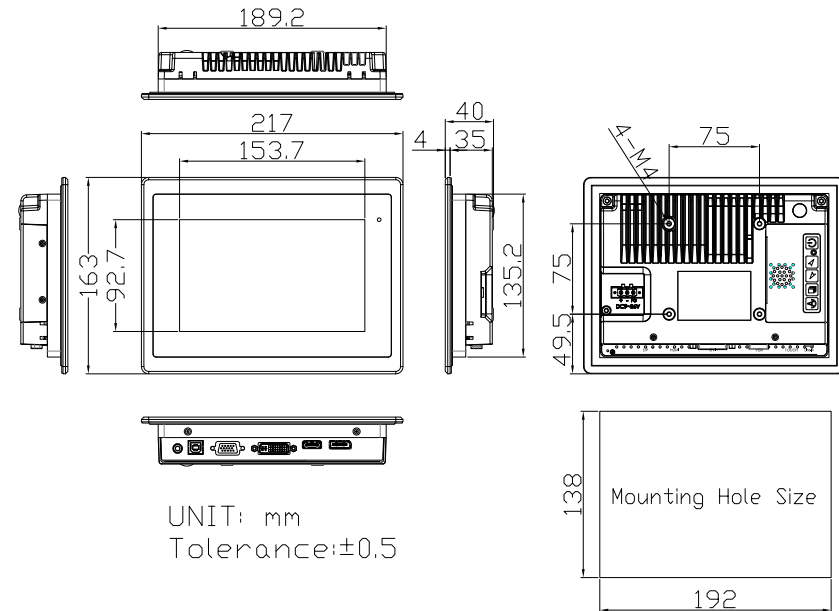
Display	Standard	High Brightness Optional
Display Type	7" TFT-LCD	7" TFT-LCD
Max. Resolution	800 x 480	800 x 480
Max. Color	262K	262K
Luminance (cd/m <sup>2</sup> )	350	1000
View Angle	140(H) / 120(V)	140(H) / 130(V)
Contrast	400:1	400:1
Backlight Lifetime	30,000 hrs	50,000 hrs

Touch Screen	
Type	Projected Capacitive Touch (for P model) Resistive Touch (for R model) Glass (for G model)
Interface	USB
Light Transmission(%)	Resistive Touch: over 80% Projected Capacitive Touch: over 90%

Power	
Power Input	DC 9~36V
Power Consumption	FABS-107P: 2.4W

Mechanical	
Construction	304 Stainless steel front bezel (Default) 316L Stainless steel front bezel (Optional) Aluminum die-casting back cover
Mounting	Panel mount, VESA mount 75 x 75
IP Rating	IP66/IP69K compliant front bezel
Dimensions (WxHxD)	217 x 163 x 40 mm
Net Weight	TBD

### Dimensions



Environmental	
Operating Temperature	0~50°C / -20~60°C (option)
Storage Temperature	-30~70°C
Humidity	10 to 95% @ 40°C, Non-condensing
Certificate	R/P/G/RH/PH/GH Model: CE/FCC Class A P/G Model is compliance with EN 1672-2 (option)
Vibration	1G/5~500Hz (Random) / Operation
Shock	15G peak acceleration (11 msec. duration) / Operation

## Assured Systems

Assured Systems is a leading technology company with over 1,500 regular clients in 80 countries, deploying over 85,000 systems to a diverse customer base in 12 years of business. We offer high-quality and innovative rugged computing, display, networking and data collection solutions to the embedded, industrial, and digital-out-of-home market sectors.

### US

[sales@assured-systems.com](mailto:sales@assured-systems.com)

Sales: +1 347 719 4508  
Support: +1 347 719 4508

1309 Coffeen Ave  
Ste 1200  
Sheridan  
WY 82801  
USA

### EMEA

[sales@assured-systems.com](mailto:sales@assured-systems.com)

Sales: +44 (0)1785 879 050  
Support: +44 (0)1785 879 050

Unit A5 Douglas Park  
Stone Business Park  
Stone  
ST15 0YJ  
United Kingdom

VAT Number: 120 9546 28  
Business Registration Number: 07699660