

IBOX-APL2 B TYPE

Fanless Box system with Intel® Pentium® (Apollo Lake) Processor



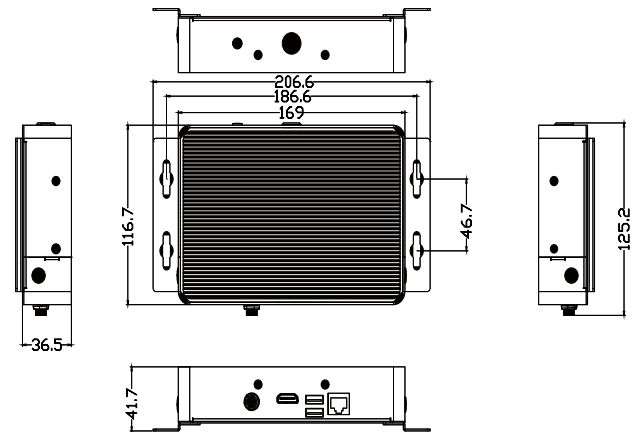
Key Features

- Intel® Apollo Lake SoC onboard processor
- Supports 4K/2K Resolution Display
- 1 HDMI, 2 USB, 1 LAN ,
- DC 12 input
- Wide temperature: 0°C ~ 50°C
- Watchdog timer

Product Specification

System color	Silver
Mechanical	Aluminum extrusion and heavy-duty steel
CPU	Intel® ApolloLake SoC onboard Intel® Pentium® N4200 QC 1.10GHz (6W)
Chipset	Intel® Apollo Lake-I SoC integrated
Graphic	Intel® HD graphics
BIOS	AMI SPI Flash ROM
System memory	1 x 8GB 204-pin DDR3L 1600MHz SDRAM;
System I/O	1 x HDMI, 2 x USB 3.0, 1 x LAN
Ethernet	1 x Gigabit Ethernet (Intel® I211)
Storage support	1 x 32GB mSATA
Expansion slot	2 (1 x Full size w/mSATA; 1 x Half size)
System indicators	1 x HDD LED
System controls	1 x Power on switch (w/LED)
Digital I/O	N/A
Watchdog timer	Interval: Programmable 1 ~ 255 sec. Output: System reset
OS Support	Win10, Linux
Power supply	DC 12 input, with AC 60W adapter, DC 12V output, DC Jack- Screw connector
Operating temperature	0°C ~ 50°C
Storage temperature	-20°C ~ 80°C
Relative humidity	0% ~ 90% (non-condensing)
Mounting kit	Wall mount/DIN mount (optional)
Dimensions	169 mm(W) x 125.1 mm(D) x 36.5 mm(H)
Weight	0.6 kg

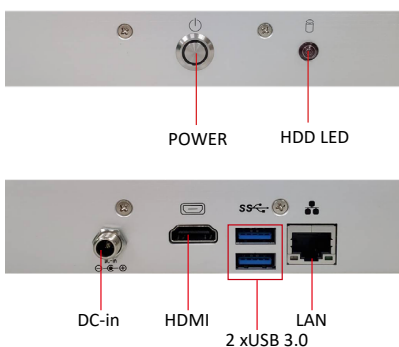
Dimensions



Optional

Power cord	US (VN00000100CU) / EUR (VN00000200CU) / JP (VN00000300CU) / UK (VK00028600CU)
------------	-----------------------------------------------------------------------------------

Rear I/O



Ordering Information

Part Number	description
IBOX-APL2-4200- BN00-0001	Fanless BOX PC, Intel Apollo SoC N4200 QC 1.10GHz(6W), HDMI, 2USB/1LAN, 8GB DDR3L(0~85°C), 32GB mSATA(-40~85°C), DC 12V/DC- Jack(Lock)with power adapter

*All specifications and photos are subject to change without prior notice

Assured Systems

Assured Systems is a leading technology company with over 1,500 regular clients in 80 countries, deploying over 85,000 systems to a diverse customer base in 12 years of business. We offer high-quality and innovative rugged computing, display, networking and data collection solutions to the embedded, industrial, and digital-out-of-home market sectors.

US

sales@assured-systems.com

Sales: +1 347 719 4508
Support: +1 347 719 4508

1309 Coffeen Ave
Ste 1200
Sheridan
WY 82801
USA

EMEA

sales@assured-systems.com

Sales: +44 (0)1785 879 050
Support: +44 (0)1785 879 050

Unit A5 Douglas Park
Stone Business Park
Stone
ST15 0YJ
United Kingdom

VAT Number: 120 9546 28
Business Registration Number: 07699660