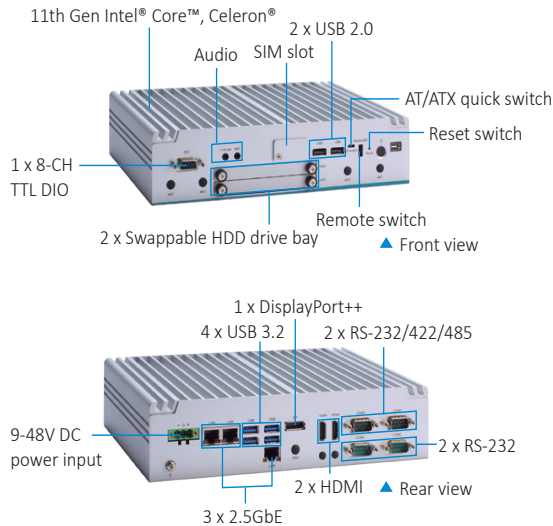


# eBOX630A NEW

Fanless Embedded System with 11th Gen Intel® Core™ i7/i5/i3 or Celeron® Processor, 2 HDMI, 1 DisplayPort++, 3 LANs, 6 USB, 4 COM, and 9 to 48 VDC



## Features

- 11th gen Intel® Core™ i7/i5/i3 or Celeron® Quad-core ULT processor (Tiger Lake UP3)
- Dual-channel DDR4-3200 SO-DIMM for up to 64GB of memory
- Supports 3 2.5 GbE, 6 USB, 4 COM
- -40°C to +60°C wide operating temperatures
- 9 to 48 VDC wide range DC power input
- Supports triple displays with 2 HDMI and 1 DisplayPort++
- Intel® Iris® Xe integrated graphics (i7 & i5 SKUs)
- Trusted Platform Module (TPM) 2.0 onboard



## Specifications

Standard Color	Silver	
Construction	Aluminum extrusion and heavy-duty steel, IP40	
CPU	Intel® Core™ i7-1185G7E/i5-1145G7E/i3-1115G4E or Celeron® 6305E (TDP up to 15W)	
System Memory	2 x 260-pin DDR4-3200 SO-DIMM, up to 64GB	
Chipset	SoC integrated	
BIOS	AMI	
System I/O Outlet	<b>Front side</b> 2 x USB 2.0 1 x 8-CH TTL DIO (DB9 female connector, 4 in/4 out) 1 X Audio (MIC-in/Line-out) 1 x Phoenix type VDC power input connector 1 x ATX power switch 1 x Remote power switch 1 x Reset switch connector 1 x AT/ATX quick switch 1 x Front access SIM slot 4 x Antenna opening	<b>Rear side</b> 2 x RS-232/422/485 (COM1/COM2) 2 x RS-232 (COM3/COM4) 4 x USB 3.2 Gen1 2 x HDMI 1.4b 1 x DisplayPort++ 1.2a 2 x 10/100/1000/2500 Mbps Ethernet (Intel® I226-IT) 1 x 10/100/1000/2500 Mbps Ethernet (Intel® I226-LM)
Watchdog Timer	255 levels, 1 to 255 sec.	
Storage	2 x 2.5" swappable SSD/HDD drive bay (max. up 9.5 mm height; RAID 0,1 supported)	
Expansion Interface	1 x Full-size PCI Express Mini Card (USB + PCIe signal) 1 x M.2 Key E 2230 (for Wi-Fi) 1 x NVMe M.2 Key M 2280 (for NVMe storage, PCIe4 signal only)	
TPM	TPM 2.0	
System Indicator	1 x Green LED for system power-on 1 x Orange LED for HDD/SSD active	
Power Input	9 to 48 VDC	
Operating Temperature	-40°C to +60°C (-40°F to +140°F) with 0.5 m/s air flow (with W.T. DRAM & SSD,CPU TDP 15W)	
Humidity	10% - 95%, non-condensing	

## Specifications

Shock Vibration	IEC 60068-2-27 (with SSD: 50G, half sine, 11 ms duration)
Vibration Endurance	IEC 60068-2-64 (with SSD: 3Grms STD, random, 5 to 500 Hz, 1 hr/axis)
Package Vibration	MIL-STD-810G 514.6C-II compliance
Dimensions	250 mm (9.84") (W) x 170 mm (6.69") (D) x 60 mm (2.36") (H)
Weight (net/gross)	2.4 kg (5.29 lb)/3.2 kg (7.0 lb)
Certifications	CE, FCC Class A, UKCA
EOS Support	Win 10 IoT

\*W.T.: Wide Temperature. All W.T. supported products have to be sorted by Axiomtek.

## Packing List

- 3 x DRAM thermal pad
- 1 x DRAM bracket
- 1 x Remote power switch cable
- 1 x 3-pin terminal block connector
- 4 x Foot Pad
- 1 x Screw pack
- 1 x M.2 bracket
- 3 x M.2 thermal pad

## Power Protection

### DC Version

- OVP (over voltage protection)
- UVP (under voltage protection)
- SCP (short circuit protection)
- OCP (over current protection)
- Reverse protection

## Ordering Information

### Standard

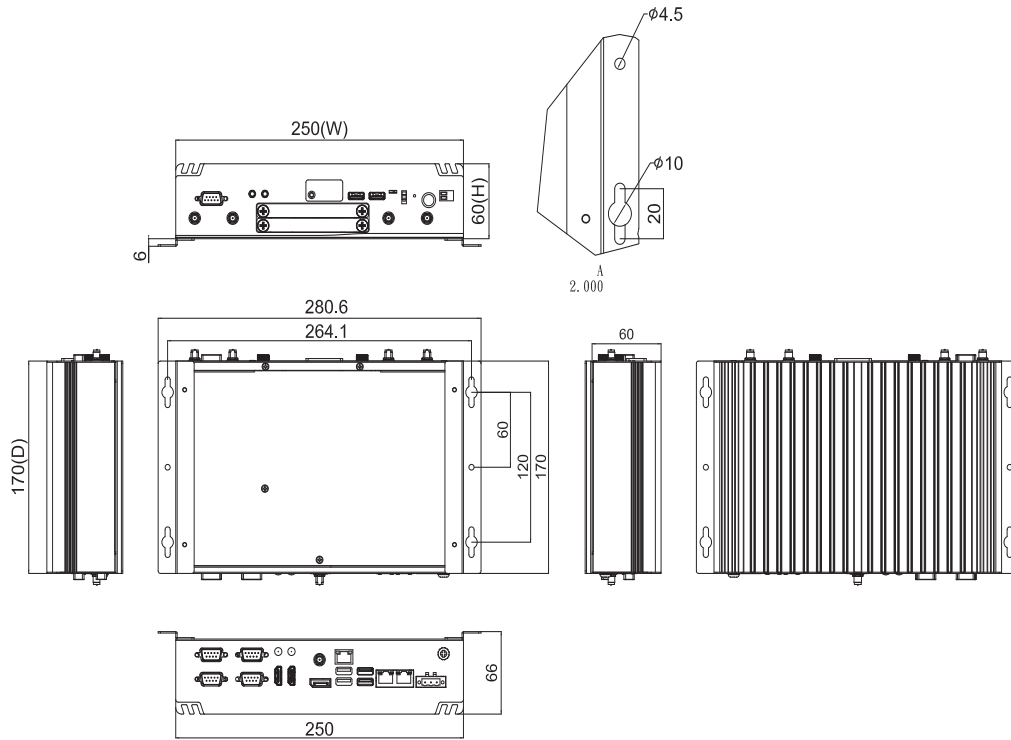
eBOX630A-11U-i7 (P/N: E360630A00)	Fanless embedded system with Intel® Core™ i7-1185G7E, 2 HDMI, 1 DisplayPort, 3 2.5GbE LANs, 6 USB, 4 COM, and 9 to 48 VDC
eBOX630A-11U-i5 (P/N: E360630A01)	Fanless embedded system with Intel® Core™ i5-1145G7E, 2 HDMI, 1 DisplayPort, 3 2.5GbE LANs, 6 USB, 4 COM, and 9 to 48 VDC
eBOX630A-11U-i3 (P/N: E360630A02)	Fanless embedded system with Intel® Core™ i3-1115G4E, 2 HDMI, 1 DisplayPort, 3 2.5GbE LANs, 6 USB, 4 COM, and 9 to 48 VDC
eBOX630A-11U-Cel (P/N: E360630A03)	Fanless embedded system with Intel® Celeron® 6305E, 2 HDMI, 1 DisplayPort, 3 2.5GbE LANs, 6 USB, 4 COM, and 9 to 48 VDC

### Optional

2.5" SATA HDD	256GB or above
2.5" SATA SSD	100GB or above
DDR4 SO-DIMM	8GB to 32GB
881606302A0E	Wall mount kit
886K630A0A0E	DIN-rail kit
509000001500	24V 120W power adapter
	Power cord
	Wi-Fi/LTE module

\*Specifications and certifications may vary based on different requirements.

## Dimensions



## Assured Systems

Assured Systems is a leading technology company with over 1,500 regular clients in 80 countries, deploying over 85,000 systems to a diverse customer base in 12 years of business. We offer high-quality and innovative rugged computing, display, networking and data collection solutions to the embedded, industrial, and digital-out-of-home market sectors.

### US

[sales@assured-systems.com](mailto:sales@assured-systems.com)

Sales: +1 347 719 4508  
Support: +1 347 719 4508

1309 Coffeen Ave  
Ste 1200  
Sheridan  
WY 82801  
USA

### EMEA

[sales@assured-systems.com](mailto:sales@assured-systems.com)

Sales: +44 (0)1785 879 050  
Support: +44 (0)1785 879 050

Unit A5 Douglas Park  
Stone Business Park  
Stone  
ST15 0YJ  
United Kingdom

VAT Number: 120 9546 28  
Business Registration Number: 07699660