



Industrial Solutions Partner!

**SCD2364-C**

**23.6" TFT LCD, 700nits LED Backlight, 848 x 848, Double Side Circle Display**

The SCD2364-C is a 23.6 inch color TFT-LCD display with brightness 700 nits, special aspect ratio 1:1 and wide resolution 848x848. It is Litemax's Circlepixel series product which designed for high brightness with power efficiency LED backlight. It provides LCD panel with specific aspect ratios and sunlight readable for digital signage, public transportation, exhibition hall, department store, and vending machine.

**Key Features**

- 23.6" Double Side Circle Display
- Brightness 700nits
- Double Side RGB Circle Lighting
- Aspect Ratio 1:1
- LED Backlight
- Low Power Consumption
- BL MTBF: 50,000 hours



**Specifications**

<b>Model Name</b>	<b>SCD2364-C</b>
<b>Description</b>	23.6" TFT LCD, 1000nits LED Backlight, 848 x 848, Double Side Circle Display
<b>Screen Size</b>	23.6"
<b>Display Area (mm)</b>	600.384(H) x 600.384(V)
<b>Brightness</b>	700 cd/m <sup>2</sup>
<b>Resolution</b>	848 x 848
<b>Aspect Ratio</b>	1 : 1
<b>Contrast Ratio</b>	6200 : 1
<b>Pixel Pitch (mm)</b>	0.708(H) x 0.708(V)
<b>Pixel Pre Inch (PPI)</b>	51
<b>Viewing Angle</b>	178°(H),178°(V)
<b>Color Saturation (NTSC)</b>	83%
<b>Display Colors</b>	16.7M
<b>Response Time (Typical)</b>	8ms
<b>Panel Interface</b>	LVDS
<b>Input Interface</b>	HDMI x 2, DP x 2
<b>Input Power</b>	DC24V
<b>Power Consumption</b>	129W
<b>Dimensions (mm)</b>	695 x 730.58 x 100.8
<b>Weight (Net)</b>	22.5kg
<b>Mounting</b>	280x120, 140x120
<b>Operating Temperature</b>	0 °C ~ 50 °C
<b>Storage Temperature</b>	-20 °C ~ 60 °C

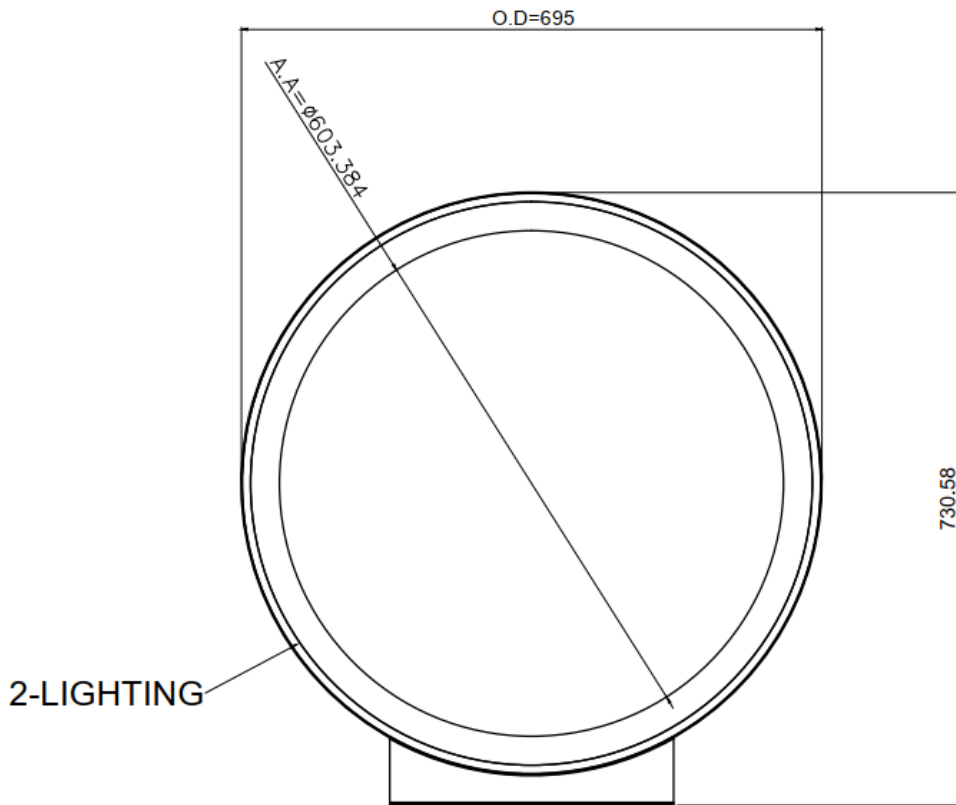
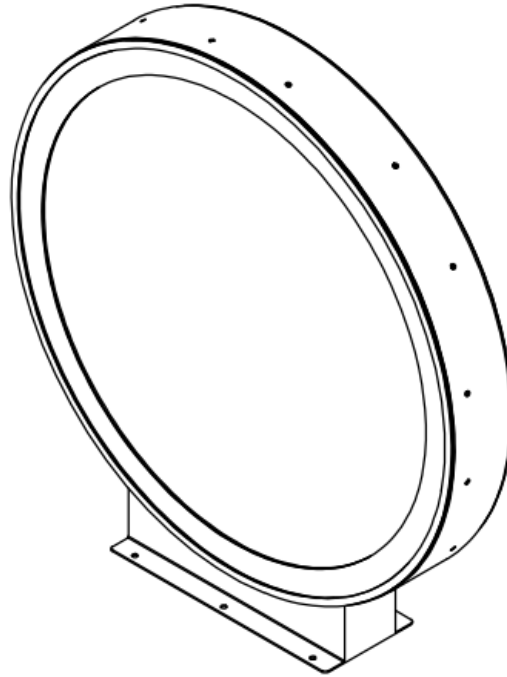
**SCD**= Panel + LED Driving Board + AD Control Board + Lighting + Chassis

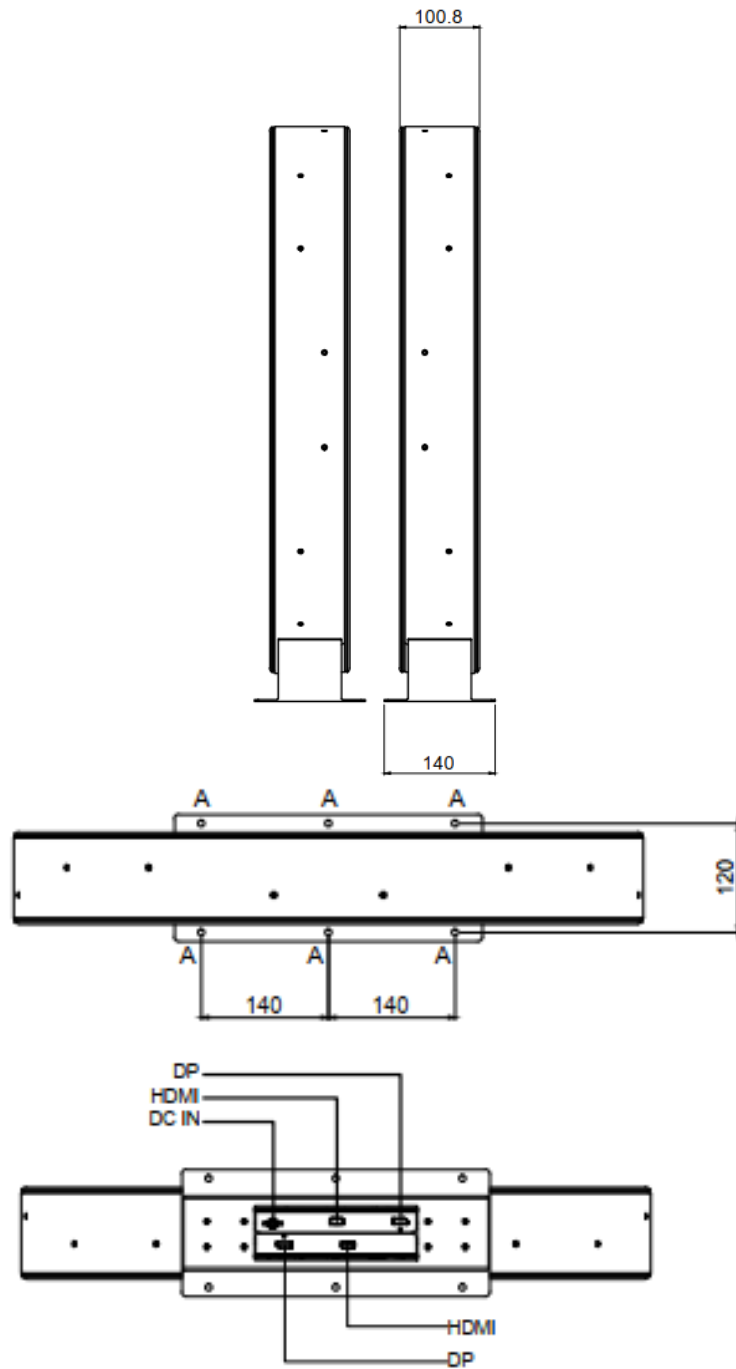
Specifications are subject to change without notice.  
All brands or product names are trademarks or registered trademarks of their respective companies.



**Outline Dimensions**

Unit:mm





**NOTE:**  
A:6- $\phi$ 7\_USER HOLE



Industrial Solutions Partner!

**Ordering Information**

Part Number	Description
SCD2364-CNN-Q11	23.6"x2,700nits,848x848,LID on LCM,AD8891DHPx2,RGB Lightingx2,DC24V,V1

**Optional Accessories**

Part Number	Description
810618301010	CABLE,POWER,AC,1830mm USA type
810618301090	CABLE,POWER,AC,1830mm Europe type
810618301050	CABLE,POWER,AC,1830mm UK type
810618301170	CABLE,POWER,AC,1830mm Australia type
810618301031	CABLE,POWER,AC,1830mm Japan type

**Customer request**

Touch	PCT (Multi-Touch)
Glass	Tempered glass, AR coating.....

## Assured Systems

Assured Systems is a leading technology company with over 1,500 regular clients in 80 countries, deploying over 85,000 systems to a diverse customer base in 12 years of business. We offer high-quality and innovative rugged computing, display, networking and data collection solutions to the embedded, industrial, and digital-out-of-home market sectors.

### US

[sales@assured-systems.com](mailto:sales@assured-systems.com)

Sales: +1 347 719 4508  
Support: +1 347 719 4508

1309 Coffeen Ave  
Ste 1200  
Sheridan  
WY 82801  
USA

### EMEA

[sales@assured-systems.com](mailto:sales@assured-systems.com)

Sales: +44 (0)1785 879 050  
Support: +44 (0)1785 879 050

Unit A5 Douglas Park  
Stone Business Park  
Stone  
ST15 0YJ  
United Kingdom

VAT Number: 120 9546 28  
Business Registration Number: 07699660