



[www.transcend-info.com](http://www.transcend-info.com)

**Embedded Solutions**



mSATA SSDs

# MSA370 & MSA370I

Supporting the Serial ATA interface and built around a powerful controller, Transcend's SATA III 6Gb/s MSA370 mSATA SSD delivers blazing-fast performance, and long-term reliability. The compact mSATA form factor is just one-eighth the size of a standard 2.5" SSD, making it perfect for use in space-constricted portable devices such as Ultrabooks, tablet PCs, and slim servers. Transcend also offers the MSA370I with wide temperature (-40°C ~ 85°C) capabilities to ensure sustained functionality, enhanced endurance and optimal reliability in mission-critical applications.

## Hardware Features

- Promised operational reliability in a wide temperature range (from -40°C to 85°C)
- Compliant with JEDEC MO-300A
- MLC NAND flash
- DDR3 DRAM Cache embedded
- Supports Transcend Scope Pro software

## Firmware Features

- Advanced Global Wear-Leveling and Block management for reliability
- Advanced Garbage Collection
- Security Command
- Enhanced S.M.A.R.T. function for durability
- Power-saving DevSleep (Device Sleep) mode

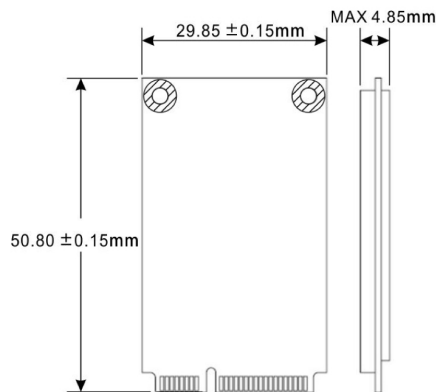
## Ordering Information

16GB	TS16GMSA370 TS16GMSA370I
32GB	TS32GMSA370 TS32GMSA370I
64GB	TS64GMSA370 TS64GMSA370I
128GB	TS128GMSA370 TS128GMSA370I
256GB	TS256GMSA370 TS256GMSA370I
512GB	TS512GMSA370 TS512GMSA370I
1TB	TS1TMSA370

## Specifications

<b>Appearance</b>	Dimensions	50.8 mm x 29.85 mm x 4.85 mm (2" x 2.18" x 0.19")
	Weight	8 g (0.28 oz)
	mSATA Type	MO-300
	Pin Count	52 pin
	Form Factor	mSATA
<b>Interface</b>	Bus Interface	SATA III 6Gb/s
<b>Storage</b>	Flash Type	MLC NAND flash
	Capacity	16 GB / 32 GB / 64 GB / 128 GB / 256 GB / 512 GB / 1 TB
<b>Operating Environment</b>	Operating Voltage	3.3V±5%
	Operating Temperature	Standard 0°C (32°F) ~ 70°C (158°F)
		Wide Temp. -40°C (-40°F) ~ 85°C (185°F)
	Storage Temperature	-40°C (-40°F) ~ 85°C (185°F)
	Humidity	0% ~ 95%
	Shock	1500 G, 0.5 ms, 3 axis
Vibration (Operating)	20 G (peak-to-peak), 7 Hz ~ 2000 Hz (frequency)	
<b>Power</b>	Power Consumption (Operation)	2.64 watt(s)
	Power Consumption (Sleep)	0.4 watt(s)
<b>Performance</b>	Sequential Read/Write (CrystalDiskMark, max.)	Read: up to 550 MB/s Write: up to 450 MB/s
	4K Random Read/Write (IOMeter, max.)	Read: up to 70,000 IOPS Write: up to 75,000 IOPS
	Mean Time Between Failures (MTBF)	2,500,000 hour(s)
	Terabytes Written (Max.)	2,360 TBW
	Drive Writes Per Day (DWPD)	2.6 (3 yrs)
<b>Warranty</b>	Certificate	CE / FCC / BSMI
	Warranty	Three-year Limited Warranty

## Mechanical Dimensions



Product specifications are subject to change without notice. Pictures shown may differ from actual products. Total accessible capacity varies depending on operating environment. Due to the complexity and variety of industrial applications, Transcend cannot guarantee 100% compatibility with all platforms and under all scenarios. For special applications and environments, it is strongly suggested that you contact Transcend beforehand for clarification.

## Assured Systems

Assured Systems is a leading technology company with over 1,500 regular clients in 80 countries, deploying over 85,000 systems to a diverse customer base in 12 years of business. We offer high-quality and innovative rugged computing, display, networking and data collection solutions to the embedded, industrial, and digital-out-of-home market sectors.

### US

[sales@assured-systems.com](mailto:sales@assured-systems.com)

Sales: +1 347 719 4508  
Support: +1 347 719 4508

1309 Coffeen Ave  
Ste 1200  
Sheridan  
WY 82801  
USA

### EMEA

[sales@assured-systems.com](mailto:sales@assured-systems.com)

Sales: +44 (0)1785 879 050  
Support: +44 (0)1785 879 050

Unit A5 Douglas Park  
Stone Business Park  
Stone  
ST15 0YJ  
United Kingdom

VAT Number: 120 9546 28  
Business Registration Number: 07699660