



Embedded Solutions



PCIe M.2 SSDs

MTE662A

Transcend's MTE662A M.2 SSD features the PCI Express (PCIe) Gen 3 x4 interface and is compatible with NVM Express (NVMe) 1.3 specifications to achieve never-before-seen transfer speeds. The MTE662A features state-of-the-art 3D NAND technology, which allows 96 layers of 3D NAND flash chips to be vertically stacked. Compared to 3D NAND at 64 layers, this density breakthrough greatly improves storage efficiency, and its built-in DRAM cache allows faster access. The MTE662A is compliant with the TCG Opal 2.0 standards. Data is secured by encryption and hierarchical permission, and the durability is fortified with 30µ" gold finger PCB and Corner Bond technology. The MTE662A is fully tested in-house to guarantee reliability in mission-critical applications, boasting an endurance rating of 3K Program/Erase cycles and an extended operating temperature range (-20°C~75°C).

Hardware Features

- PCIe Gen 3 x4 interface
- DDR4 DRAM Cache embedded
- Key components fortified by default with Corner Bond technology
- 30µ" PCB gold finger
- Promised operational reliability in an extended temperature range (from -20°C to 75°C)

Ordering Information

128GB	TS128GMTE662A
256GB	TS256GMTE662A
512GB	TS512GMTE662A
1TB	TS1TMTE662A
2TB	TS2TMTE662A

Firmware Features

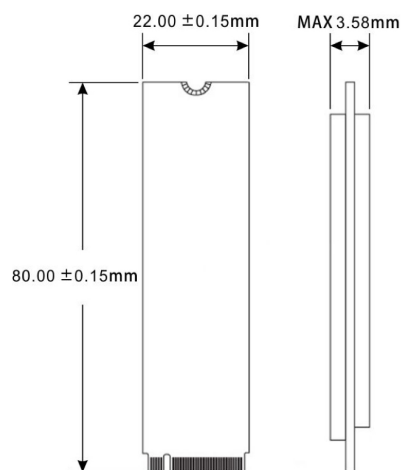
- Supports NVM command
- SLC caching technology
- Dynamic thermal throttling
- Built-in LDPC ECC (Error Correction Code) functionality
- Compliant with TCG Opal specifications and IEEE 1667 standards

*Supports Microsoft® eDrive standard

Specifications

Appearance	Dimensions	80 mm x 22 mm x 3.58 mm (3.15" x 0.87" x 0.14")
	Weight	9 g (0.32 oz)
	M.2 Type	2280-D2-M (Double-sided)
	Form Factor	M.2 2280
Interface	Bus Interface	NVMe PCIe Gen3 x4
Storage	Capacity	128 GB / 256 GB / 512 GB / 1 TB / 2 TB
	Flash Type	3D NAND flash
Operating Environment	Operating Voltage	3.3V±5%
	Operating Temperature	Extended Temp. -20°C (-4°F) ~ 75°C (167°F)
	Storage Temperature	-55°C (-67°F) ~ 85°C (185°F)
	Humidity	5% ~ 95%
	Shock	1500 G, 0.5 ms, 3 axis
Power	Vibration (Operating)	20 G (peak-to-peak), 7 Hz ~ 2000 Hz (frequency)
	Power Consumption (Operation)	7.0 watt(s)
Performance	Power Consumption (IDLE)	1.0 watt(s)
	Sequential Read/Write (CrystalDiskMark)	Read: up to 3,500 MB/s Write: up to 2,700 MB/s
	4K Random Read/Write (IOMeter)	Read: up to 340,000 IOPS Write: up to 310,000 IOPS
	Mean Time Between Failures (MTBF)	3,000,000 hour(s)
	Terabytes Written (TBW)	up to 4,400 TBW
	Drive Writes Per Day (DWPD)	2 (3 yrs)
Warranty	Certificate	CE / FCC / BSMI / UKCA
	Warranty	Three-year Limited Warranty

Mechanical Dimensions



Product specifications are subject to change without notice. Pictures shown may differ from actual products. Total accessible capacity varies depending on operating environment. Due to the complexity and variety of industrial applications, Transcend cannot guarantee 100% compatibility with all platforms and under all scenarios. For special applications and environments, it is strongly suggested that you contact Transcend beforehand for clarification.

Assured Systems

Assured Systems is a leading technology company with over 1,500 regular clients in 80 countries, deploying over 85,000 systems to a diverse customer base in 12 years of business. We offer high-quality and innovative rugged computing, display, networking and data collection solutions to the embedded, industrial, and digital-out-of-home market sectors.

US

sales@assured-systems.com

Sales: +1 347 719 4508
Support: +1 347 719 4508

1309 Coffeen Ave
Ste 1200
Sheridan
WY 82801
USA

EMEA

sales@assured-systems.com

Sales: +44 (0)1785 879 050
Support: +44 (0)1785 879 050

Unit A5 Douglas Park
Stone Business Park
Stone
ST15 0YJ
United Kingdom

VAT Number: 120 9546 28
Business Registration Number: 07699660