



PROLITE TW1523AS-B1P



15.6" Full HD PCAP 10pt touch screen with Android and POE Technology

The ProLite TW1523AS-B1P touch panel PC is a perfect choice for high-use environments such as retail, interactive POS, information desks or hospitality applications.

The Power over Ethernet technology (POE) allows to provide both data connection and power by a single cable, simplifying all installations. This monitor can operate in landscape, portrait and face-up orientation in 24/7 operating time. Together with the built-in microphone and speakers it offers interactive and almost limitless application possibilities.



Connectivity

The RJ45 (LAN) connector supporting Power over Ethernet technology (POE*) allows to provide both data connection and power by a single cable, simplifying all installations. Together with the built-in microphone and speakers it offers interactive and almost limitless application possibilities. *Requires 30W



Android OS

Thanks to Android OS, you can easily customize the display to your needs by installing applications directly to it.

01 DISPLAY CHARACTERISTICS

Design	Edge to edge glass
Diagonal	15.6", 39.5cm
Panel	IPS Panel Technology, LED
Native resolution	1920 x 1080 (2 megapixel HD)
Aspect ratio	16:9
Panel brightness	450 cd/m ²
Brightness	385 cd/m ² with touch
Light transmittance	85%
Static contrast	1000:1 with touch
Response time (GTG)	30ms
Viewing zone	horizontal/vertical: 170°/170°, right/left: 85°/85°, up/down: 85°/85°
Colour support	16.7mIn 8bit
Viewable area W x H	344.16 x 193.59mm, 13.5 x 7.6"
Pixel pitch	0.17925mm
Bezel colour and finish	black, matte

02 TOUCH

Touch technology	projective capacitive
Touch points	10
Touch method	finger, glove (latex), capacitive stylus
Touch interface	USB

03 INTERFACES / CONNECTORS / CONTROLS

Digital signal output	HDMI x1 (mini HDMI, 1920x1080 @60Hz)
Audio output	Speakers 2 x 2W
USB ports	x2 (2.0)
RJ45 (LAN)	x1 (PoE)

04 FEATURES

Integrated software	Android 8.1 without GMS
CPU	Rockchip RK3288, quad-core Cortex-A17 up to 1.8GHz
GPU	Quad-core cortex A17
Storage	16GB eMMC
Memory	2GB DDR3
WiFi	IEEE802.11b/g/n
Bluetooth	4.0
Extra	auto-rotation, microphone, SD card slot, anti-fingerprint coating
Max. non-stop operating time	24/7
Glass thickness	1.8mm
Glass hardness	6H

05 GENERAL

Applications install new application / manage application, lock application, calculator, calendar, chrome, alarm / clock / timer / stopwatch, email, manage files and folders, manage images / video / audio, organize albums, manage power on/off time, play audio files, search engine, system preferences, sound recorder, play video files

06 MECHANICAL

Orientation	landscape, portrait, face-up
VESA mounting	100 x 100mm

07 ACCESSORIES INCLUDED

Guides	quick start guide, safety guide
Other	AC adapter
Cable cover	yes

08 POWER MANAGEMENT

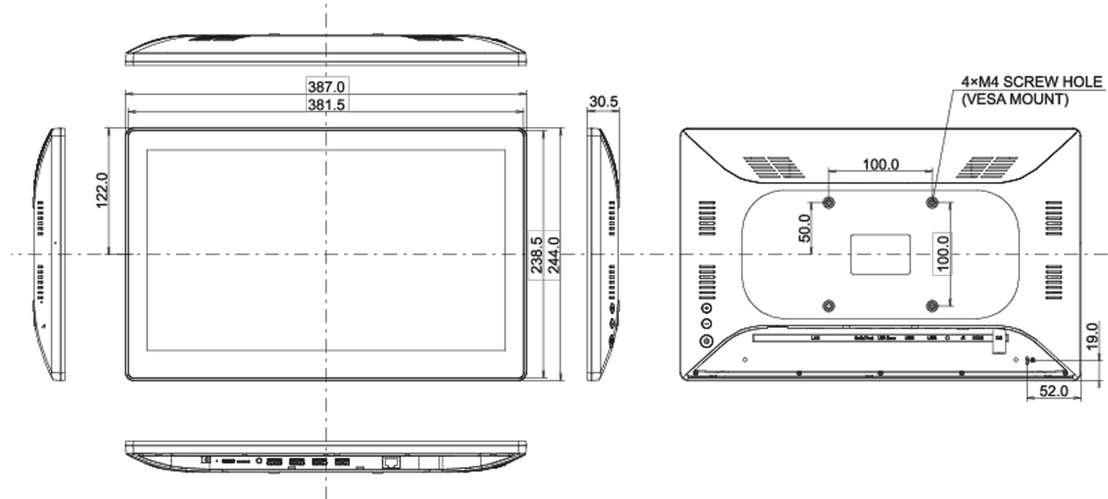
Power supply unit	external
Power supply	DC 12 V
Power usage	12W typical

09 SUSTAINABILITY

Regulations	CE, RoHS support, ErP, WEEE, REACH
REACH SVHC	above 0.1%: Lead

10 DIMENSIONS / WEIGHT

Product dimensions W x H x D	387 x 244 x 30.5mm
Box dimensions W x H x D	477 x 295 x 75mm
Weight (without box)	1.5kg
Weight (with box)	2.4kg
EAN code	4948570118014



All trademarks and registered trademarks acknowledged. E & O E. Specification subject to change without notice. All LCD's comply with ISO-9241-307:2008 in connection with pixel defects.

© IIYAMA CORPORATION. ALL RIGHTS RESERVED

Assured Systems

Assured Systems is a leading technology company with over 1,500 regular clients in 80 countries, deploying over 85,000 systems to a diverse customer base in 12 years of business. We offer high-quality and innovative rugged computing, display, networking and data collection solutions to the embedded, industrial, and digital-out-of-home market sectors.

US

sales@assured-systems.com

Sales: +1 347 719 4508
Support: +1 347 719 4508

1309 Coffeen Ave
Ste 1200
Sheridan
WY 82801
USA

EMEA

sales@assured-systems.com

Sales: +44 (0)1785 879 050
Support: +44 (0)1785 879 050

Unit A5 Douglas Park
Stone Business Park
Stone
ST15 0YJ
United Kingdom

VAT Number: 120 9546 28
Business Registration Number: 07699660