

APPD 1700T

17" IP65 Industrial 4:3 LCD Flush Touch Monitor



Main Features

- IP65 compliant plastic front bezel with flush panel by 5-wire touch screen
- Dual display input interface: analog VGA and DVI-D
- Dual touch interface: RS-232 and USB
- Ultra slim depth
- Multilanguage OSD function

Product Overview

17" 4:3 LCD display APPD 1700T is based on a 5-wire resistive touch screen. It has 380 nits brightness and can support resolutions up to 1280x1024. With the thickness less than 2 inches, APPD 1700T is ideal for space-critical environments where systems and displays are kept apart. In addition, APPD 1700T adopts a flush panel design and has IP65 front panel. APPD 1700T provides prevailing video interfaces: VGA and DVI, supporting both digital and analog signals; touch screen can be connected with RS-232 or USB ports. Moreover, APPD 1700T supports 12~24V power input and offers panel mount and VESA mount, allowing users to choose the mounting method that meets their situation. APPD 1700T is the best solution for NEXCOM NISE fanless computer, NVIS security surveillance series and APPC panel PC when a second display is required.

Specifications

Panel

- LED Size: 17", 4:3
- Resolution: SXGA 1280x1024
- Luminance: 380cd/m²
- Contrast ratio: 1000
- LCD color: 16.7M
- Viewing angle: 80(U), 80(D), 85(L), 85(R)
- Backlight: CCFL
- Touch screen: 5-wire resistive (flush panel type)
- Touch light transmission: 81%
- Touch interface: USB and RS-232

Rear I/O

- Touch interface port: RS-232 (1 x DB9) / USB Type A
- Video port: VGA (1 x DB15) / DVI-D (1x DVI-I connector)
- DC power input connector: 3-Pin Phoenix terminal Blocks

OSD Function

- OSD keypad
- Multilanguage OSD

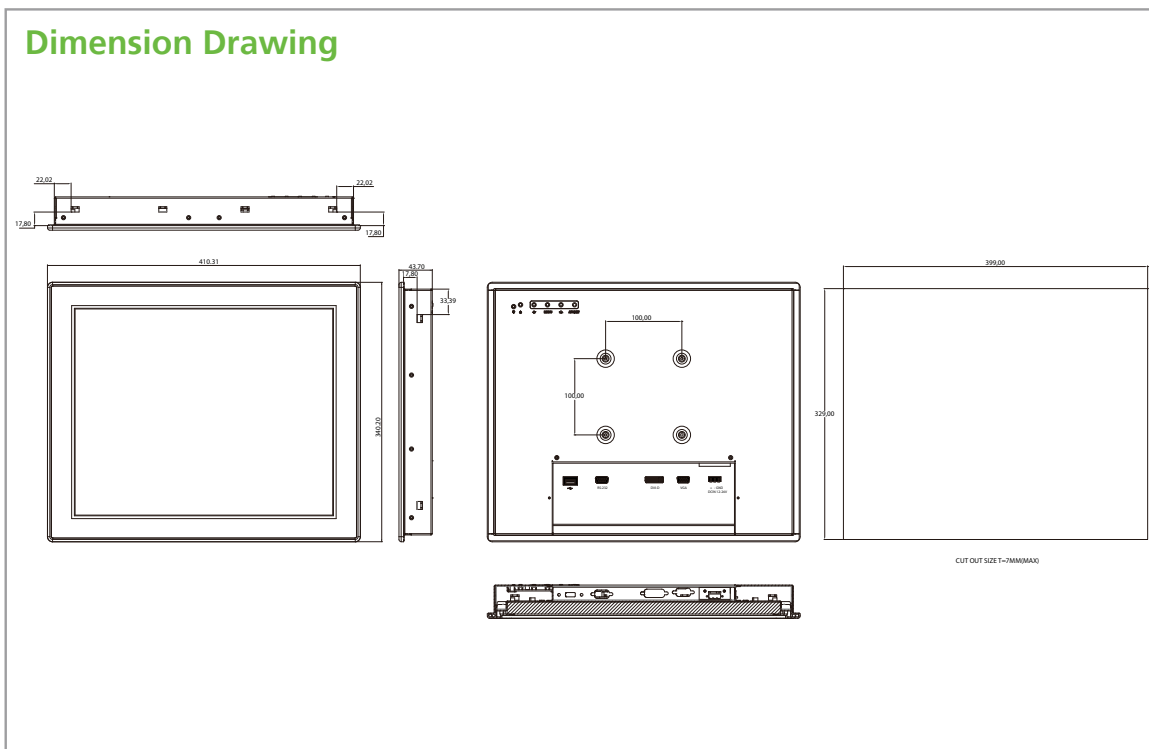
Mechanical & Environment

- Color: pantone black
- IP protection: IP65 front
- Mounting: panel/ wall/ stand/ VESA 100mm x 100mm
- Power input: 12V~ 24V DC
- Power adapter: optional AC to DC power adaptor (+12V, 60W)
- Vibration:
 - IEC 68 2-64
 - 2Grms @sine, 5~500Hz, 1hr/axis (Operating)
 - 2.2Grms @ random condition, 5~500Hz, 0.5hr/axis (Non-operating)
- Shock:
 - IEC 68 2-27
 - 20G@wall mount, half sine, 11ms
 - Operating temperature: -5°C to 50°C
 - Storage temperature: -20°C to 75°C
- Operating humidity: 10%~90% relative humidity, non-condensing
- Dimension: 410.4 x 340.4 x 43.7 mm
- Weight: 5.3 Kg

www.nexcom.com



Dimension Drawing



Certifications

- CE approval
- FCC Class B

Ordering Information

Barebone

- **APPD 1700T (P/N: 10IAD170000X0)**
17" IP65 industrial 4:3 LCD flush touch monitor with VGA and DVI-D input, 12~24V DC input, RS-232 and USB touch screen

Options

- **12V, 60W AC/DC power adapter w/o power cord (P/N: 7400060011X00)**

Assured Systems

Assured Systems is a leading technology company with over 1,500 regular clients in 80 countries, deploying over 85,000 systems to a diverse customer base in 12 years of business. We offer high-quality and innovative rugged computing, display, networking and data collection solutions to the embedded, industrial, and digital-out-of-home market sectors.

US

sales@assured-systems.com

Sales: +1 347 719 4508
Support: +1 347 719 4508

1309 Coffeen Ave
Ste 1200
Sheridan
WY 82801
USA

EMEA

sales@assured-systems.com

Sales: +44 (0)1785 879 050
Support: +44 (0)1785 879 050

Unit A5 Douglas Park
Stone Business Park
Stone
ST15 0YJ
United Kingdom

VAT Number: 120 9546 28
Business Registration Number: 07699660