

W15IB3S-PTA3

15.6" PT Series HMI Panel PC



KEY FEATURES

- 15.6" 1920 x 1080 with PCAP touchscreen
- A true flat, easy-to-clean front surface with edge-to-edge design
- Fanless cooling system and ultra low power consumption
- Front IP65 for protection against water and dust
- Intel® Celeron® N2930 1.83 GHz
- Plastic housing

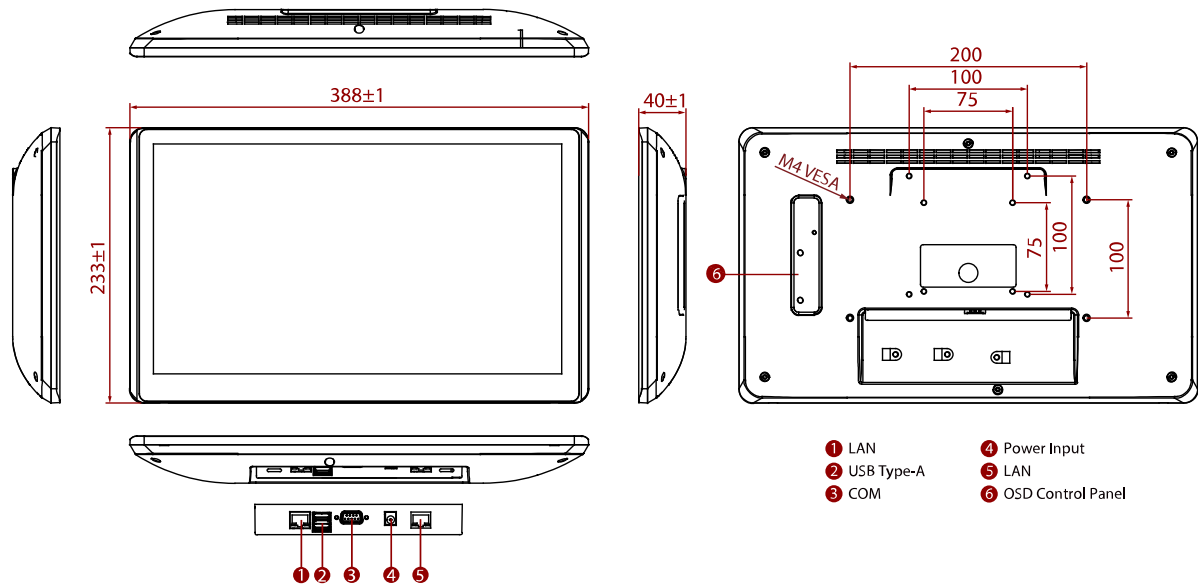


SPECIFICATIONS

Display			
Touch / Glass	Projected Capacitive Multi Touch Screen	Resolution	1920x1080
Size	15.6 inches	Contrast Ratio	800:1
Panel Brightness	400 nits	View Angles	85,85,85,85
System Specification			
Processor	Intel® Celeron® N2930 (2M Cache, up to 2.16 GHz)	Memory	1 x SO-DIMM, DDR3L 1600 MHz, 4GB 8GB (Optional)
Storage	1 x M.2 2242 SSD 64GB. M.2 2242 SSD up to 512GB. (Optional)	Ethernet controller	2 x Intel® Ethernet Controller I210-AT
Security	TPM 2.0	Operating System	Windows 7 Embedded Systems (Optional) Windows 10 IoT Enterprise (Optional) Linux Ubuntu 18.04 (Optional)
Environment			
Operating Humidity	10% to 90% (non-condensing)	Operating Temperature	0~50°C
Storage Temperature	-20~60°C	IP rating	Front IP65
Certification			
Certification	CE, FCC		
Mechanical			
Dimension	388 x 233 x 40 mm	Mounting	VESA Mount/ Panel Mount
Enclosure	Plastic	Cooling System	Fanless Design
IO Ports			
USB Port	1 x USB 3.0 1 x USB 2.0	Serial Port	1 x RS-232/422/485
Audio	2 x Speaker	LAN	1 x RJ 45-10/100/1000 Mbps 1 x RJ 45-10/100/1000 Mbps with PoE (Optional)
Indicator	Power LED Indicator		
Accessory			
Accessory	Driver CD Quick Start Guide(Hardcopy) AC Adapter 12V/50W Power Cord		

Power			
Power Rating	12V DC in	POE	Power Device (PD), follows IEEE 802.3at (25 W)
Control			
Button	1 x Power Button 1 x Reset Button		

DIMENSIONS UNIT:MM



NOTE

1. This is a simplified drawing and some components are not marked in detail.
2. Please contact our sales representative if you need further product information.
3. All specifications are subject to change without prior notice.
4. The product shown in this datasheet is a standard model. For diagrams that contain customized or optional I/O, please contact the Winmate Sales Team for more information.

Assured Systems

Assured Systems is a leading technology company with over 1,500 regular clients in 80 countries, deploying over 85,000 systems to a diverse customer base in 12 years of business. We offer high-quality and innovative rugged computing, display, networking and data collection solutions to the embedded, industrial, and digital-out-of-home market sectors.

US

sales@assured-systems.com

Sales: +1 347 719 4508
Support: +1 347 719 4508

1309 Coffeen Ave
Ste 1200
Sheridan
WY 82801
USA

EMEA

sales@assured-systems.com

Sales: +44 (0)1785 879 050
Support: +44 (0)1785 879 050

Unit A5 Douglas Park
Stone Business Park
Stone
ST15 0YJ
United Kingdom

VAT Number: 120 9546 28
Business Registration Number: 07699660