



Industrial Solutions Partner!

DLD3200-G V1
32" TFT LCD, LED Backlight 2500nits, FHD(1920x1080)

The **DLD3200-G** is a 32 inch industrial grade sunlight readable LCD, with high brightness 2500 nits and high color saturation, it produce sharp images, crisp text and lifelike colors. The Dura pixel LED backlight technology ensures high reliability and low power consumption, suitable for outdoor application, kiosk, factory automation, military, transportation and gaming application.

Key Features

- High Brightness 2500 nits
- Sunlight Readable
- LED Backlight
- Low Power Consumption
- LCD Blacking Defect Free (H-Tni 110°C)
- BL MTBF: 100,000 hours



Specifications

Model Name	DLD3200-G V1
Description	32" TFT LCD, LED Backlight 2500 nits, FHD (1920x1080)
Screen Size	32"
Display Area (mm)	698.4(H) x 392.85(V)
Brightness	2500 cd/m ²
Resolution	1920x1080
Aspect Ratio	16 : 9
Contrast Ratio	1100 : 1
Pixel Pitch (mm)	0.36375(H) x 0.36375(V)
Pixel Pre Inch (PPI)	68
Viewing Angle	178°(H),178°(V)
Color Saturation (NTSC)	78%
Display Colors	16.7M
Response Time (Typical)	10ms
Panel Interface	LVDS
AD Board Input Interface	VGA, DVI-D, HDMI
Input Power	AC100~240V
Power Consumption	105W
OSD Key	4 Keys (Power Switch, Menu, +, -)
OSD Control	Brightness, Color, Contrast, Auto Turing, H/V Position...etc
Dimensions (mm)	735.8 x 430.3 x 92.2
Bezel Size(U/B/L/R)	16.7/16.7/16.7/16.7 mm
Weight (Net)	13.5kg
Mounting	400x100
Operating Temperature	0 °C ~ 50 °C
Storage Temperature	-20 °C ~ 60 °C

DLD = Panel + LED Driving Board + AD Control Board + Housing

Specifications are subject to change without notice.
All brands or product names are trademarks or registered trademarks of their respective companies.

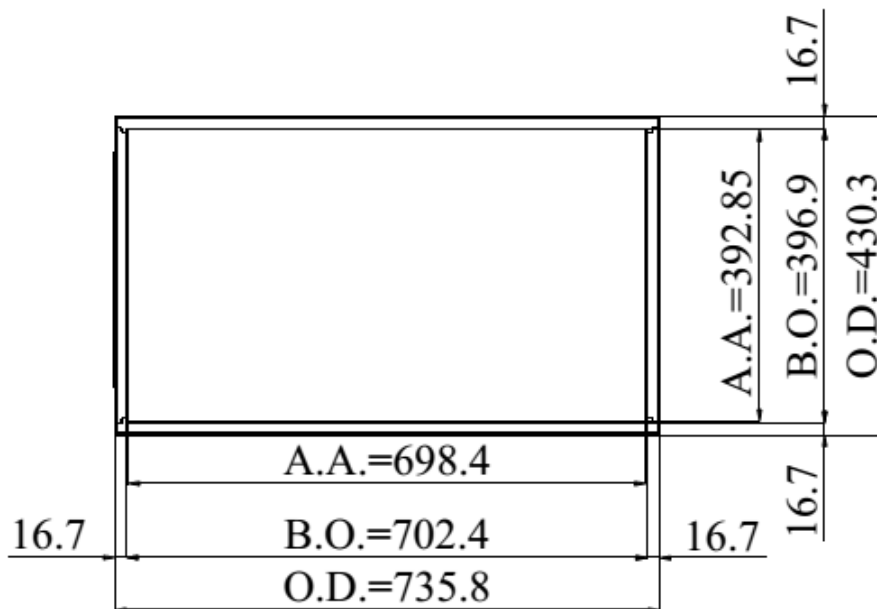
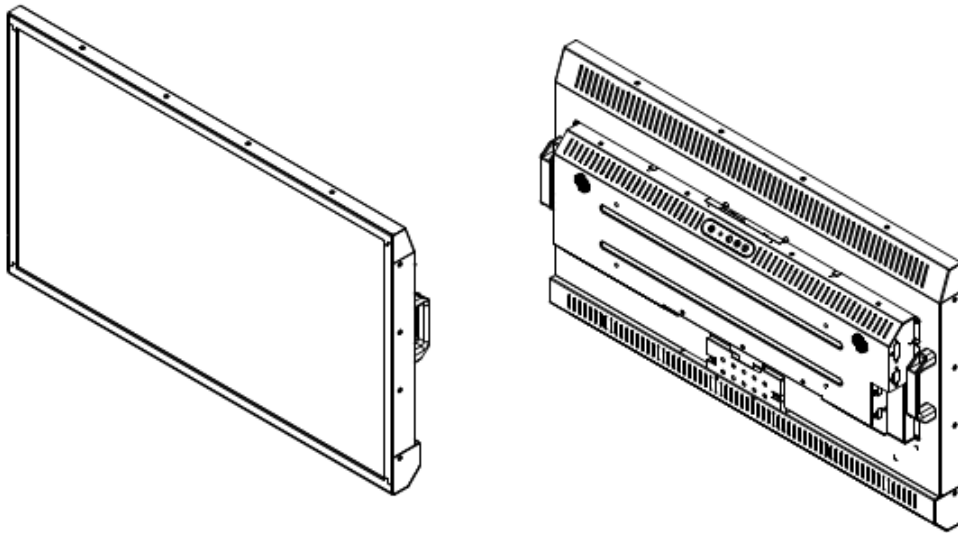


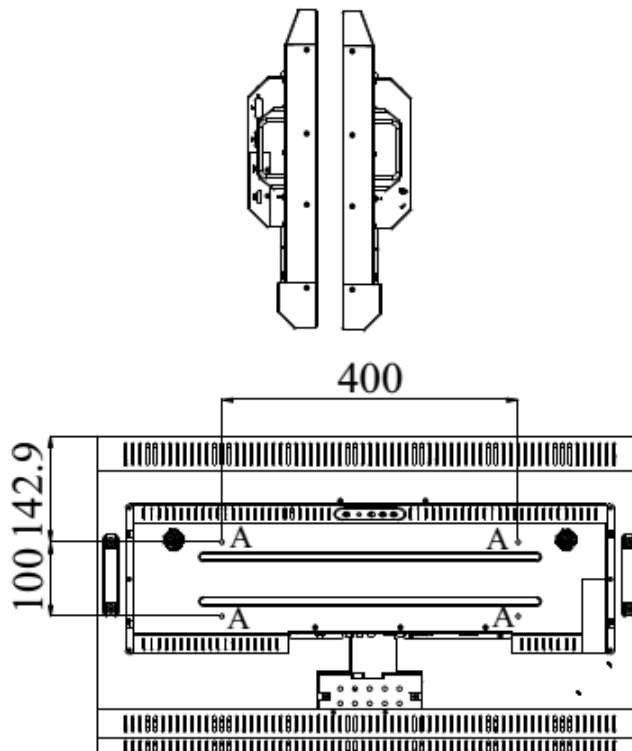
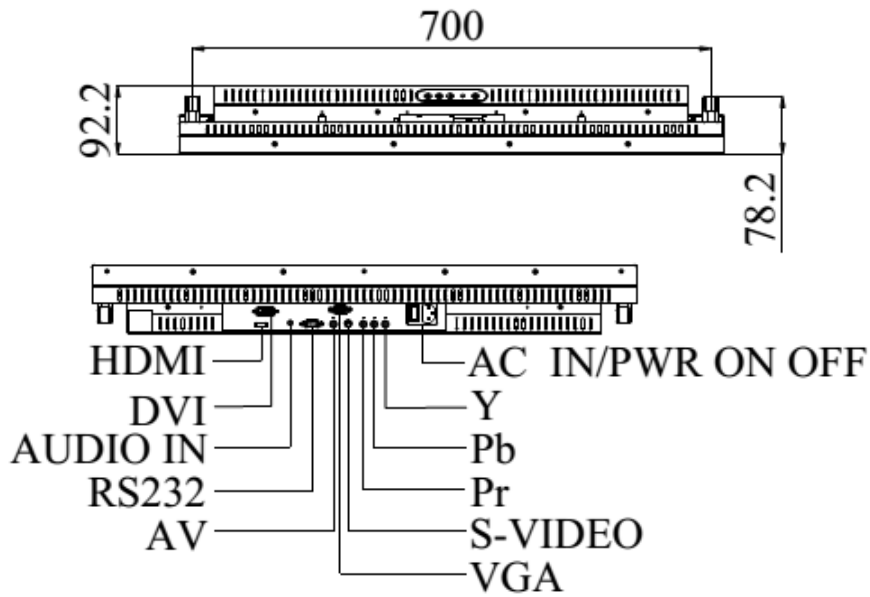
Industrial Solutions Partner!

Mechanical Drawing

Outline Dimensions

Unit:mm





NOTE :
 O.D. : OUTLINE DIMENSION
 B.O. : BEZEL OPENING
 A.A. : LCD ACTIVE AREA

A : 4-M6_USER HOLE_MAX. DEPTH= 6 mm



Industrial Solutions Partner!

Ordering Information

Part Number	Description
DLD3200-GNB-G01	32",2500nits,FHD,LID32A,AD2662GDHM,O/B,Speaker*2,AC100~240V,2in1,V1

Optional Accessories

Part Number	Description
810618301010	CABLE.POWER.AC.1830mm USA type
810618301090	CABLE,POWER,AC,1830mm Europe type
810618301050	CABLE.POWER.AC.1830mm UK type
810618301170	CABLE.POWER,AC,1830mm Australia type
810618301031	CABLE.POWER.AC.1830mm Japan type

Customer request

Touch	SCT (Single-Touch), PCT (Multi-Touch)
Glass	Tempered glass, AR coating.....

Assured Systems

Assured Systems is a leading technology company with over 1,500 regular clients in 80 countries, deploying over 85,000 systems to a diverse customer base in 12 years of business. We offer high-quality and innovative rugged computing, display, networking and data collection solutions to the embedded, industrial, and digital-out-of-home market sectors.

US

sales@assured-systems.com

Sales: +1 347 719 4508
Support: +1 347 719 4508

1309 Coffeen Ave
Ste 1200
Sheridan
WY 82801
USA

EMEA

sales@assured-systems.com

Sales: +44 (0)1785 879 050
Support: +44 (0)1785 879 050

Unit A5 Douglas Park
Stone Business Park
Stone
ST15 0YJ
United Kingdom

VAT Number: 120 9546 28
Business Registration Number: 07699660