



Industrial Solutions Partner!

DLD1568-I V1

15" TFT LCD, LED Backlight 1600nits, 1024x768

The **DLD1568-I** is a 15 inch industrial grade sunlight readable LCD, with high brightness **1600** nits and high color saturation, it produce sharp images, crisp text and lifelike colors. The Durapixel LED backlight technology ensures high reliability and low power consumption, suitable for outdoor application, kiosk, factory automation, military, transportation and gaming application.

Key Features

- High Brightness 1600 nits
- Sunlight Readable
- LED Backlight
- Low Power Consumption
- Wide Operation Temperature
- BL MTBF: 100,000 hours



Specifications

Model Name	DLD1568-I
Description	15" TFT LCD, LED Backlight 1600 nits
Screen Size	15"
Display Area (mm)	304.1(H) x 228.1(V)
Brightness	1600 cd/m ²
Resolution	1024x768
Aspect Ratio	4 : 3
Contrast Ratio	6500 : 1
Pixel Pitch (mm)	0.297(H) x 0.297(V)
Pixel Pre Inch (PPI)	85
Viewing Angle	176°(H), 176°(V)
Color Saturation (NTSC)	80%
Display Colors	16.7M
Response Time (Typical)	23ms
Panel Interface	LVDS
AD Board Input Interface	DVI-I, HDMI, DP
AD Board Input Power	DC12V
Power Consumption	23W
OSD Key	4 Keys (Power Switch, Menu, +, -)
OSD Control	Brightness, Color, Contrast, Auto Turing, H/V Position...etc
Dimensions (mm)	326.5(H) x 253.5(V) x 31 (T)
Bezel Size(U/B/L/R)	11.1/11.1/9.55/9.55 mm
Mounting	75x75
Weight (Net)	1.5kg
Operating Temperature	-30 °C ~ 80 °C
Storage Temperature	-40 °C ~ 80 °C

DLD = Panel + LED Driving Board + AD Control Board + Chassis

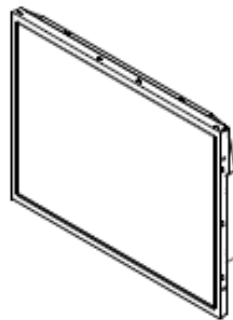


Specifications are subject to change without notice.
All brands or product names are trademarks or registered trademarks of their respective companies.

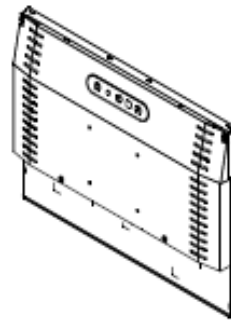
Mechanical Drawing

Outline Dimensions

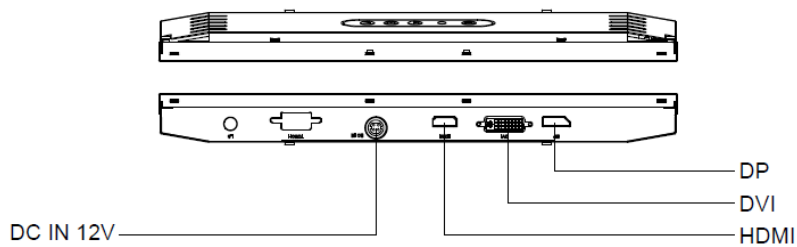
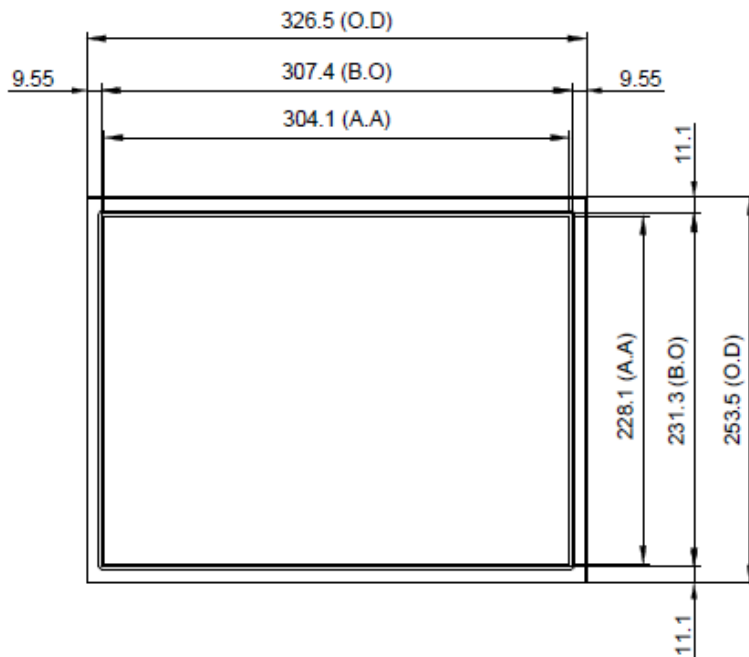
Unit:mm

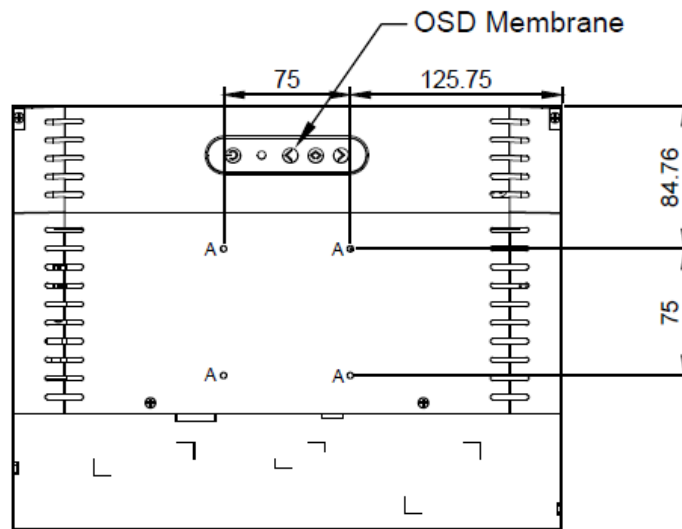
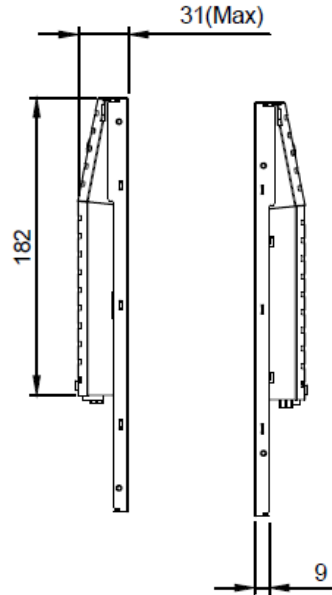


Front view



Back view





NOTE :
 O.D : OUTLINE DIMENSION
 B.O : BEZEL OPENING
 A.A : LCD ACTIVE AREA

 A : 4-M4_USER_HOLE_MAX. DEPTH=3mm



Industrial Solutions Partner!

Ordering Information

Part Number	Description
DLD1568-INB-Q01	15",1600nits,1024x768,LID15C,AD8891GDHP,O/B,DC12V,5in1,V1

Optional Accessories

Part Number	Description
840612051212	ADAPTER,AC/DC,12V/5A,60W.Power-Din-4P,CWT.G99-ABF060F-N022.Efficiency-level-6,R
810618301010	CABLE,POWER,AC,1830mm USA type
810618301090	CABLE,POWER,AC,1830mm Europe type
810618301050	CABLE,POWER,AC,1830mm UK type
810618301170	CABLE,POWER,AC,1830mm Australia type
810618301031	CABLE,POWER,AC,1830mm Japan type

Customer request

Touch	SCT (Single-Touch), PCT (Multi-Touch)
Glass	Tempered glass, AR coating.....

Assured Systems

Assured Systems is a leading technology company with over 1,500 regular clients in 80 countries, deploying over 85,000 systems to a diverse customer base in 12 years of business. We offer high-quality and innovative rugged computing, display, networking and data collection solutions to the embedded, industrial, and digital-out-of-home market sectors.

US

sales@assured-systems.com

Sales: +1 347 719 4508
Support: +1 347 719 4508

1309 Coffeen Ave
Ste 1200
Sheridan
WY 82801
USA

EMEA

sales@assured-systems.com

Sales: +44 (0)1785 879 050
Support: +44 (0)1785 879 050

Unit A5 Douglas Park
Stone Business Park
Stone
ST15 0YJ
United Kingdom

VAT Number: 120 9546 28
Business Registration Number: 07699660