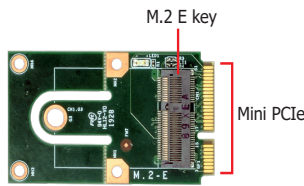
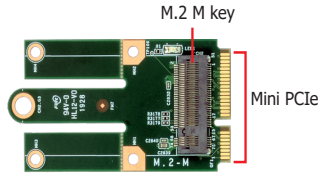


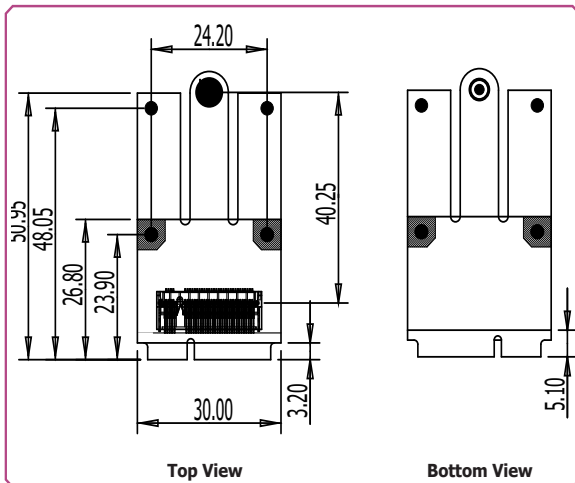


Mini PCIe to M.2 Modules

MPE-M2M/M2E



Mechanical Drawing



Ordering Information

Module Name	P/N	Output Interface
MPE-M2M	770-MEM2M1-000G	M.2 type 2242 M key
MPE-M2E	770-MEM2E1-000G	M.2 type 2230 E key

Features

PORT	1 M.2 2242 M key/ 1 M.2 2230 E key
INTERFACE	PCIe, SATA, USB (based on motherboards input)
FORM FACTOR	Mini PCIe for both full and half sizes

Specifications

FEATURES

- Standard PCIe, SATA, USB interface module for Mini PCIe to M.2 connector
- Supports 1 M.2 2242 M key/ M.2 2230 E key

APPLIED MODELS

- All DFI systems and boards with Mini PCIe.

TEMPERATURE

- Operating: -40°C to 85°C
- Storage: -40°C to 85°C

HUMIDITY

- 5% to 90%

FORM FACTOR

- Mini PCIe for both full and half sizes



Packing List

• 1 Mini PCIe-M.2 module

Assured Systems

Assured Systems is a leading technology company with over 1,500 regular clients in 80 countries, deploying over 85,000 systems to a diverse customer base in 12 years of business. We offer high-quality and innovative rugged computing, display, networking and data collection solutions to the embedded, industrial, and digital-out-of-home market sectors.

US

sales@assured-systems.com

Sales: +1 347 719 4508
Support: +1 347 719 4508

1309 Coffeen Ave
Ste 1200
Sheridan
WY 82801
USA

EMEA

sales@assured-systems.com

Sales: +44 (0)1785 879 050
Support: +44 (0)1785 879 050

Unit A5 Douglas Park
Stone Business Park
Stone
ST15 0YJ
United Kingdom

VAT Number: 120 9546 28
Business Registration Number: 07699660