

VMC 3021

10.4" Rugged Vehicle Mount Computer
with Intel Atom® x7-E3950 processor, Touch Screen and IP65



Main Features

- 10.4" XGA TFT LCD monitor with 5-wire resistive touch
- Built-in Intel Atom® x7-E3950 processor, 1.6GHz
- Aluminum die-casting and fanless design
- Analog camera x 3 (CVBS)
- Complete IP65 housing
- Automatic/manual brightness control
- Isolated CANBus 2.0 x 2
- 10/100/1000Mhz for independent ethernet x 2
- On screen F1 ~ F10 programmable function keys
- Military standard for vibration and shock
- UPS Battery & PoE 802.3af/at (optional)
- iButton and RFID for ID identification
- Micro SIM x 2
- Wide range DC input from 9V ~ 60V DC in
- Sunlight readable capability: 1,200nits LCD brightness
- One expansion port reserved
- Operating system: Windows and Linux
- CE/FCC/EMark

Product Overview

VMC 3021, 10.4-inch all in one robust vehicle mount computer, is designed for the warehouses, port, logistic and material handling markets. It implements the latest Intel Atom® x7-E3950 processor (codename Apollo Lake) on both of Windows and Linux platforms, and offers complete IP65. VMC 3021 is able to support analog camera x 3 for security purpose and takes less than 1 second to see video content. PoE 802.3af/at for IP camera is another choice. Back-up battery can help to back up data when car power battery stops supplying. LCD panel: 1,200nits typ. guarantees to reach sunlight-readable. Wide-range power input (9V~60V) can let VMC3021 to be capable of setting up in various facilities and vehicles. The design of mini-PCIe slots x 4 and one expansion slot can solve the potential request from the market when needed.

Specifications

LCD Panel

- 10.4-inch TFT LCD panel with LED backlight
- 1024 x 768 pixels (XGA)
- Brightness: 1200 cd/m² (typical)
- Viewing angle: 140° (H):120°(V)
- Contrast ratio: 500:1 (typical)

Touch Screen Sensor

- 5-wire resistant touch
- Anti-glare coating surface
- Transmission rate: 81 ± 3%

CPU & Chipset

- Intel Atom® x7-3950 processor dual core 1.6GHz Memory
- One 204-pin DDR3L 1600MHz SO-DIMM slot (default: 4GB)

Expandable Storage

- 1 x CFast
- 1 x 2.5" SATA SSD bay

Expansion

- 3 x Full-size mini-PCIe socket (PCIe + USB)
- 1 x Full-size mini-PCIe socket (USB)
- 1 x CFast
- 2 x Micro SIM slot

I/O Interface-Front

- LCD back light on/off
- Volume control (+/-)
- Brightness control (+/-)
- Light sensor
- 4 x LED indicators (power/battery charging, WLAN, shift, storage)
- F1 ~ F10 programmable function
- 2 x Built-in 2W speakers

I/O Interface-Lateral

- Right Side
 - 1 x CFast card slot
 - 1 x System reset button
 - 1 x USB 2.0 host type A connector
- Left Side
 - 1 x Antenna for WWAN

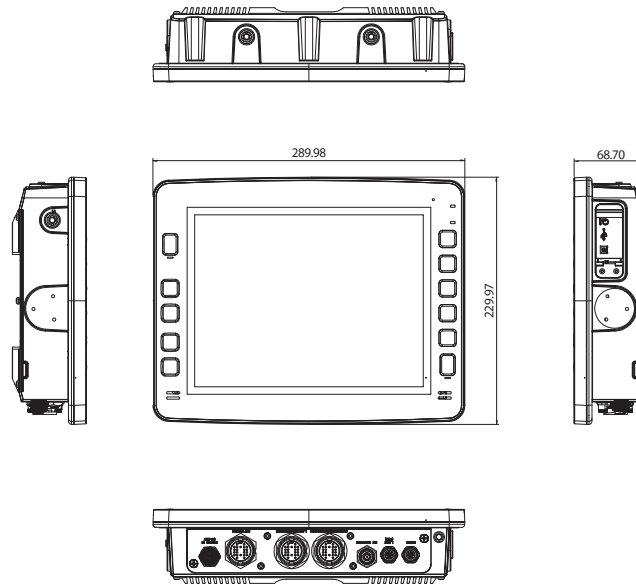
I/O Interface-Bottom

- 1 x M12 (22-pin)
 - 1 x 10/100/1000, LAN1 (wake up on LAN)
 - 1 x RS232 (Tx/Rx)/RS422/RS485 (RI, 5V/0.5A, 12V/0.5A)
 - 1 x DR (odometer + speed)
 - 2 x GPI
 - Source: 9V ~ 60V-in (default)
 - Sink: external 0V ~ 60VDC pull-high selected by software settings
 - Input High "1" Voltage: 3.3 ~ 60 VDC
 - Input Low "0" Voltage: 0 ~ 2 VDC

www.nexcom.com



Dimension Drawing



- 2 x GPO
 - Source: 9V ~ 60V-in (default)
 - 12V/6mA, 24V/12mA, 36V/18mA, 48V/24mA, 60V/30mA
 - Sink: external max. 0.5A pull high
- 1 x M12 (21-pin)
 - 1 x Mic-in
 - 1 x Line-out
 - 1 x full RS232/422/485 (RI, 5V/0.5A, 12V/0.5A)
 - 2 x Isolated CANBus 2.0B
 - When installing CAN06, CAN2 becomes J1939/ISO15675-4
 - When installing CAN05, CAN2 becomes J1708
 - 1 x iButton
- 1 x M12 (5-pin)
 - 9V ~ 60V DC in (UPS battery: 12V, 24V, 36V and 48V)
- 1 x M12 (8-pin)
 - Either of DC output or RFID
 - 1 x DC output (12V/2A)
 - 1 x RFID (Tx/Rx, 12V/2A)
- 1 x M12 (8-pin)
 - 1 x 10/100/1000, LAN2 (optional for PoE 802.3af/at)
- 1 x M12 (8-pin)
 - 2 x USB type A
- 1 x M12 (18-pin)
 - Expansion port
- 1 x GPS antenna SMA connector (on housing)

I/O Interface-Top

- 2 x Antenna for Wi-Fi

Mechanical

- Cooling system: Fanless
- Enclosure: aluminum die castig
- Mounting: VESA 75
- Ingress protection: complete IP65
- Dimension: 289.98mm (W) x 229.97mm (H) x 68.70mm (D)
- Weight: 3.5kg, 7.7lb

Power Management

- 9V ~ 60V DC in (UPS: 12V, 24V, 36V and 48V)
- Reverse protection/over voltage protection/under voltage protection
- Ignition On/O control & programmable On/O delay timing
- Wake up by LAN1, SMS, RTC and ignition

Environment

- Operating temperatures: Ambient with air -30°C to 60°C
- Storage temperatures: -30°C to 70°C
- Relative humidity: 10% to 90% (non-condensing)
- Vibration
 - Operating: MIL-STD-810G, 514.6 Procedure 1, Category 4
 - Storage: MIL-STD-810G, 514.6 Procedure 1, Category 24
- Shock
 - Operating: MIL-STD-810G, Method 516.6, Procedure I, trucks and semi-trailers = 40g
- Crash hazard: MIL-STD-810G, Method 516.6, Procedure V, ground equipment = 75g

Operating System

- Windows 10, Linux

Standards/Certifications

- CE/FCC class B/E13

Ordering Information

- **VMC 3021-4A1 (P/N: 10VC0302100X0)**
10.4" rugged vehicle mount computer with Intel Atom® x7-E3950, touch screen and complete IP65

Assured Systems

Assured Systems is a leading technology company with over 1,500 regular clients in 80 countries, deploying over 85,000 systems to a diverse customer base in 12 years of business. We offer high-quality and innovative rugged computing, display, networking and data collection solutions to the embedded, industrial, and digital-out-of-home market sectors.

US

sales@assured-systems.com

Sales: +1 347 719 4508
Support: +1 347 719 4508

1309 Coffeen Ave
Ste 1200
Sheridan
WY 82801
USA

EMEA

sales@assured-systems.com

Sales: +44 (0)1785 879 050
Support: +44 (0)1785 879 050

Unit A5 Douglas Park
Stone Business Park
Stone
ST15 0YJ
United Kingdom

VAT Number: 120 9546 28
Business Registration Number: 07699660