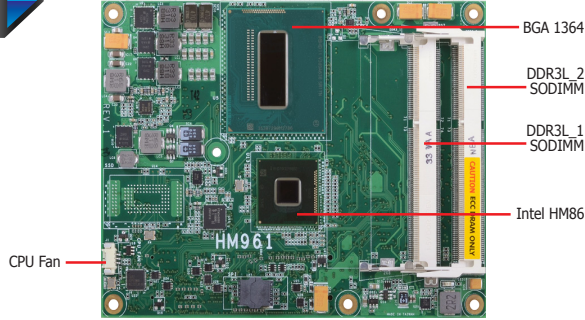




4th Gen Intel® Core™  
COM Express® Basic

# HM961-HM86

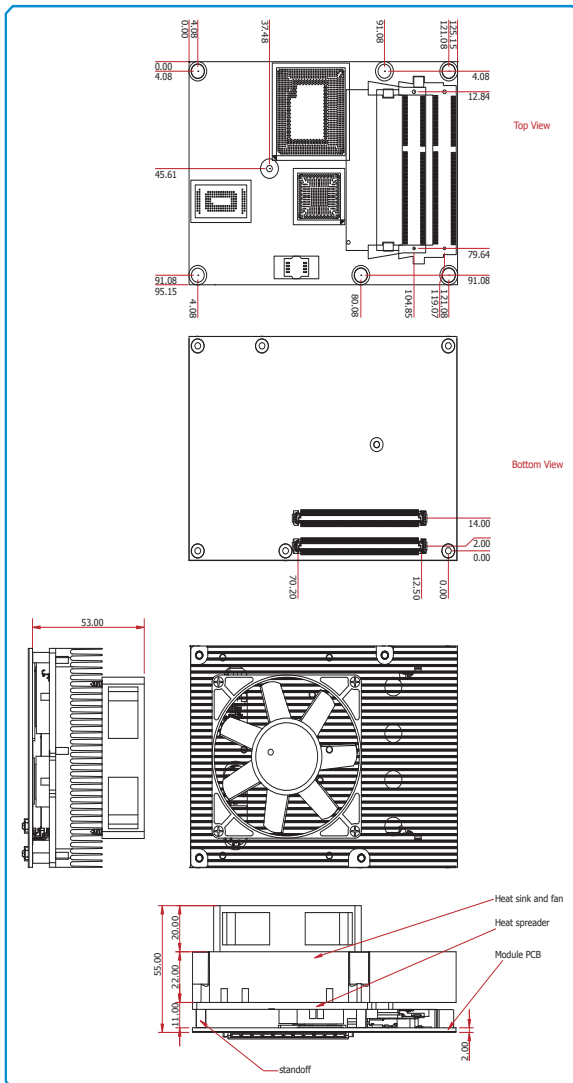


## Features

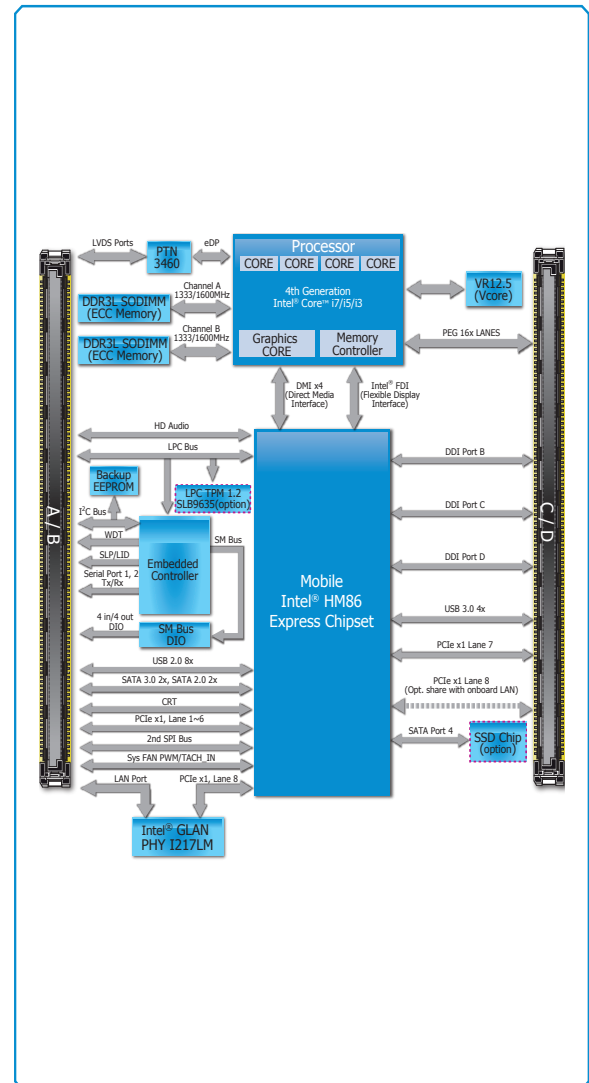
MEMORY	2 DDR3L ECC SODIMM up to 16GB
EXPANSION	1 PCIe x16, 7 PCIe x1 1 LPC, 1 SMBus, 1 I <sup>2</sup> C, 2 serial 1 VGA, 1 LVDS, 3 DDI (HDMI/DVI/DP) 2 USB 3.0, 8 USB 2.0 4 SATA: 2 SATA 3.0, 2 SATA 2.0 SSD (optional) 4-bit input and 4-bit output GPIO
LAN	1 LAN
DIMENSIONS	COM Express® R2.1 Basic, Type 6 95mm x 125mm (3.74" x 4.9")



## Mechanical Drawing



## Block Diagram





# HM961-HM86

**Specifications** \* Optional and is not supported in standard model. Please contact your sales representative for more information.

**PROCESSOR**

- 4th generation Intel® Core™ processors
  - BGA 1364 packaging technology
  - 22nm process technology
- Please refer to the Ordering Information below

**CHIPSET**

- Intel® HM86 Express Chipset

**SYSTEM MEMORY**

- Two 204-pin DDR3L SODIMM sockets
- Supports DDR3L 1333/1600MHz ECC SODIMM
- Supports up to 16GB system memory
- DRAM device technologies: 1Gb, 2Gb and 4Gb DDR3L DRAM technologies are supported for x8 and x16 devices, ECC DRAM only

**ONBOARD GRAPHICS FEATURES**

- Intel® HD Graphics 4600
- Supports 1 VGA, 1 LVDS and 3 DDI
- VGA: resolution up to 2048x1536 @ 75Hz
- LVDS: NXP PTN3460, 24-bit, dual channel, resolution up to 1920x1200 @ 60Hz
- Digital Display Interface: HDMI, DVI and DP
- HDMI: resolution up to 4096x2304 @ 24Hz or 2560x1600 @ 60Hz
- DVI: resolution up to 1920x1200 @ 60Hz
- DP: resolution up to 3840x2160 @ 60Hz
- Intel® Clear Video Technology
- Intel® Advanced Vector Extensions (Intel® AVX) Instructions
- Supports DirectX 11.1, OpenGL 4.0, OpenCL 1.2

**ONBOARD AUDIO FEATURES**

- Supports High Definition Audio interface

**ONBOARD LAN FEATURES**

- Intel® I217LM Gigabit Ethernet Phy
- Integrated 10/100/1000 transceiver
- Fully compliant with IEEE 802.3, IEEE 802.3u, IEEE 802.3ab

**SERIAL ATA (SATA) INTERFACE**

- Supports 2 SATA 3.0, and 2 SATA 2.0
- Supports 2 SATA 3.0, 1 SATA 2.0, and 1 SSD\*
- Integrated Advanced Host Controller Interface (AHCI) controller

**USB INTERFACE**

- XHCI Host Controller supports up to 2 super speed USB 3.0 ports

**SSD\***

- 2GB/4GB/8GB/16GB/32GB/64GB
- Write: 30MB/sec (max), Read: 70MB/sec (max)
- SATA to SSD onboard

**TRUSTED PLATFORM MODULE (TPM)\***

- Provides a Trusted PC for secure transactions
- Provides software license protection, enforcement and password protection

**EXPANSION INTERFACES**

- Supports 2 USB 3.0 interfaces
- Supports 8 USB 2.0 interfaces
- Supports 1 PCIe x16 Gen 3 interface
- Supports 7 PCIe x1 interfaces
- Supports LPC interface
- Supports SMBus interface
- Supports I<sup>2</sup>C interface
- Supports 2 serial interfaces (TX/RX)
- Supports 4-bit input and 4-bit output GPIO

**DAMAGE FREE INTELLIGENCE**

- Monitors CPU temperature and overheat alarm
- Monitors CPU fan speed and failure alarm
- Monitors Vcore/1.05V/DDR voltages and failure alarm

**BIOS**

- AMI BIOS
- 64Mbit SPI BIOS

**WATCHDOG TIMER**

- Software programmable from 1 to 255 seconds

**POWER**

- Input: 12V, VCC\_RTC, 5VSB\*

**POWER CONSUMPTION**

- TBD

**OS SUPPORT**

- Windows XP Professional x86 & SP3 (32-bit) (limited function)
- Windows 7 Ultimate x86 & SP1 (32-bit)
- Windows 7 Ultimate x64 & SP1 (64-bit)
- Windows 8 Enterprise x86 (32-bit)
- Windows 8 Enterprise x64 (64-bit)

**TEMPERATURE**

- Operating: 0°C to 60°C
- Storage: -20°C to 85°C

**HUMIDITY**

- 5% to 90%

**MTBF**

- 414,133 hrs @ 25°C; 161,725 hrs @ 45°C
- Calculation model: Telcordia Issue 2, Method I Case 3
- Environment: GB, GC – Ground Benign, Controlled

**PCB**

- Dimensions
  - COM Express® Basic
  - 95mm (3.74") x 125mm (4.9")
- Compliance
  - PICMG COM Express® R2.1, Type 6

**Ordering Information**

Model Name	Processor	Memory	SSD	Power	Thermal	Temperature
HM961-HM86BS0-4700EQ	Intel® Core™ i7-4700EQ, 6M Cache, 2.4GHz (3.4GHz), 47W	2 ECC SODIMM	None	ATX/AT	Fan	0°C to 60°C
HM961-HM86BS0-4400E	Intel® Core™ i5-4400E, 3M Cache, 2.7GHz (3.3GHz), 37W	2 ECC SODIMM	None	ATX/AT	Fan	0°C to 60°C
HM961-HM86BS0-4402E	Intel® Core™ i5-4402E, 3M Cache, 1.6GHz (2.7GHz), 25W	2 ECC SODIMM	None	ATX/AT	Fan	0°C to 60°C
HM961-HM86BS0-4100E	Intel® Core™ i3-4100E, 3M Cache, 2.4GHz, 37W	2 ECC SODIMM	None	ATX/AT	Fan	0°C to 60°C
HM961-HM86BS0-4102E	Intel® Core™ i3-4102E, 3M Cache, 1.6GHz, 25W	2 ECC SODIMM	None	ATX/AT	Fan	0°C to 60°C

The following specifications will be available upon request. Please contact your sales representative for more information.

Model Name	Chipset	Temperature	Memory	SSD	Processors
HM961	HM86	B	S	0	4700EQ
		B: 0°C to 60°C	S: Socket	0: None 2: 2GB 4: 4GB 8: 8GB 1: 16GB 3: 32GB 6: 64GB	4700EQ: Intel® Core™ i7-4700EQ, 6M Cache, 2.4GHz (3.4GHz), 47W 4400E: Intel® Core™ i5-4400E, 3M Cache, 2.7GHz (3.3GHz), 37W 4402E: Intel® Core™ i5-4402E, 3M Cache, 1.6GHz (2.7GHz), 25W 4100E: Intel® Core™ i3-4100E, 3M Cache, 2.4GHz, 37W 4102E: Intel® Core™ i3-4102E, 3M Cache, 1.6GHz, 25W

**Packing List**

- 1 HM961 board
- 1 DVD
- Heat spreader with heat sink and fan: 761-HSWMBL-000G

**Optional Items**

- COM331-B carrier board kit: 770-COM331-000G
- Heat spreader: A71-011029-000G

## Assured Systems

Assured Systems is a leading technology company with over 1,500 regular clients in 80 countries, deploying over 85,000 systems to a diverse customer base in 12 years of business. We offer high-quality and innovative rugged computing, display, networking and data collection solutions to the embedded, industrial, and digital-out-of-home market sectors.

### US

[sales@assured-systems.com](mailto:sales@assured-systems.com)

Sales: +1 347 719 4508  
Support: +1 347 719 4508

1309 Coffeen Ave  
Ste 1200  
Sheridan  
WY 82801  
USA

### EMEA

[sales@assured-systems.com](mailto:sales@assured-systems.com)

Sales: +44 (0)1785 879 050  
Support: +44 (0)1785 879 050

Unit A5 Douglas Park  
Stone Business Park  
Stone  
ST15 0YJ  
United Kingdom

VAT Number: 120 9546 28  
Business Registration Number: 07699660