

# CEM300 NEW

COM Express Type 10 Mini Module with Intel® Pentium® and Celeron® N3000 Series Processors

## Features

- Intel® Pentium® and Celeron® processors N3000 series (Braswell)
- Onboard DDR3L 4GB (8GB optional)
- Max. up to 4 lanes of PCIe
- 2 SATA-600
- 2 USB 3.0 and 8 USB 2.0
- LVDS and DDI (Displayport/HDMI/DVI) with dual view supported
- AXView 2.0 intelligent remote management software

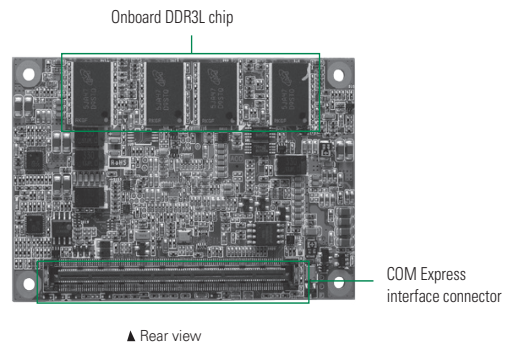
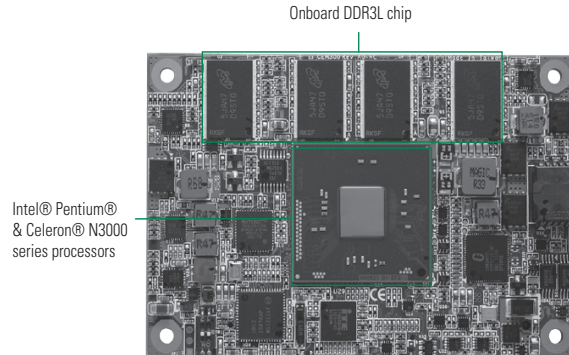


### Core System

CPU	Intel® Pentium® N3710 1.6 GHz quad core Intel® Celeron® N3160 1.6 GHz quad core and N3060 1.6 GHz dual core onboard
System Memory	4GB DDR3L onboard memory (8GB optional)
Chipset	SoC integrated
BIOS	AMI uEFI (Legacy free)
SSD	N/A
Watchdog Timer	65536 levels, 0 ~ 65535 sec.
Expansion Interface	4 x PCIe lanes (3 lanes while internal LAN is connected)
Battery Lithium	N/A
Power Input	ATX: 4.75V ~ 20V, +5VSB AT: 4.75V ~ 20V
Size	84 x 55 mm
Board Thickness	2.0 mm
Temperature	0°C ~ +60°C (+32°F ~ +140°F), operation
Operation Humidity	10% ~ 95% relative humidity, non-condensing
Vibration	3.5 Grms

### I/O

MIO	1 x LPC interface 1 x SPI interface 2 x Serial TX/RX
SATA	2 x SATA-600
Hardware Monitoring	Yes
Ethernet	1 port as 10/100/1000 Mbps supports Wake-on-LAN, PXE Boot ROM with Intel® i211AT
Audio	HD link interface to baseboard for Codec
USB	2 x USB 3.0 8 x USB 2.0
TPM	N/A
SMBus	Yes
Digital I/O	4 channels IN & 4 channels OUT
Smart Battery	Yes



### Display

Chipset	Intel® Gen 8 Graphics Engine Supports Gfx - DX11.1, OCL1.2, OGL 4.2
Display Interface	1 x DDI (DP, HDMI, DVI) 1 x LVDS; 18/24-bit single channel (eDP option)

### Packing List

Quick installation guide

### Ordering Information

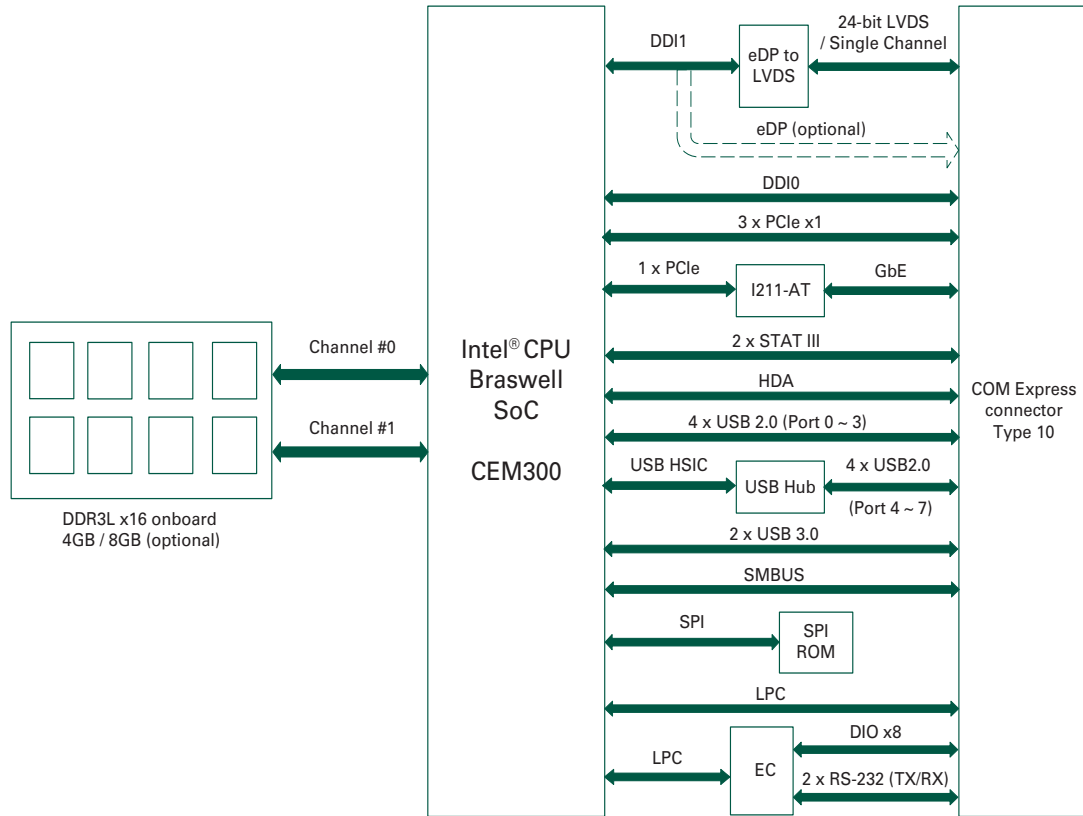
Standard	
CEM300PG-N3710-4G (P/N: E38D300100)	COM Express Type 10 mini module with Intel® Pentium® N3710, 4GB, DP/LVDS, USB 3.0 and GbE LAN
CEM300PG-N3160-4G (P/N: E38D300102)	COM Express Type 10 mini module with Intel® Celeron® N3160, 4GB, DP/LVDS, USB 3.0 and GbE LAN
CEM300PG-N3060-4G (P/N: E38D300104)	COM Express Type 10 mini module with Intel® Celeron® N3060, 4GB, DP/LVDS, USB 3.0 and GbE LAN

### Optional Accessories

CEB94008 (P/N: E394008100)	ATX form factor Type 10 evaluation board
5078D300100E	CEM300 heat spreader
5078D840200E	heat sink with fan

Note: 5078D840200E has to be with 5078D300100E

**Block Diagram**



## Assured Systems

Assured Systems is a leading technology company with over 1,500 regular clients in 80 countries, deploying over 85,000 systems to a diverse customer base in 12 years of business. We offer high-quality and innovative rugged computing, display, networking and data collection solutions to the embedded, industrial, and digital-out-of-home market sectors.

### US

[sales@assured-systems.com](mailto:sales@assured-systems.com)

Sales: +1 347 719 4508  
Support: +1 347 719 4508

1309 Coffeen Ave  
Ste 1200  
Sheridan  
WY 82801  
USA

### EMEA

[sales@assured-systems.com](mailto:sales@assured-systems.com)

Sales: +44 (0)1785 879 050  
Support: +44 (0)1785 879 050

Unit A5 Douglas Park  
Stone Business Park  
Stone  
ST15 0YJ  
United Kingdom

VAT Number: 120 9546 28  
Business Registration Number: 07699660