

Military Grade P-Cap Military Console Rack Display



23.8" Specifications



Model Name	W24L100-MLA2FP
Resolution	1920 x 1080
Brightness	250 nits
Contrast Ratio	3000:1
Active Area	527.04(H) x 296.46(V)
Viewing Angle	-89~89(H); -89~89(V)
Pixel Pitch	0.270 (H) x 0.270 (V)
Display Color	16.7M
Touch	P-Cap Multi-Touch
Power Input	AC 110~240V, Universal, ±10%; DC 9~36V, ±10% (Optional)
Power Consumption	25W Typical, Normal Operation
Dimensions (W x L x H)	635.2 x 430.9 x 66 (mm)
Cutout Dimension	555 x 387 (mm)
Mounting	Flush Rack / Rack Mount
Power	1 x AC Power input (Military grade)
Touch Interface	1 x USB Touch Interface
BNC	5 x BNCs (R,G,B,H,V)
VGA	1 x VGA
DVI-D	1 x DVI-D
Control Button	Menu / Auto-adjust / Brightness Up and Down / LED Adjustment / Power
Led indicator	Power On / Off, Sleep
Operating Temperature	0°C to 50°C Wide temperature solution by request
Storage Temperature	-10°C to 60°C
Operating Humidity	95%RH ±3%
Shock*	MIL-STD-810F/G Method 516.6 / Procedure I
Vibration*	MIL-STD-810F/G Method 514.6 / Procedure I
IP Rating	Front IP65
Certifications	CE, FCC ClassB MIL-STD 810F/G and MIL-STD 461E/F
Factory Options	EMI ITO Glass (Optional)

Environmental(MIL-STD 810F/G Compliance)

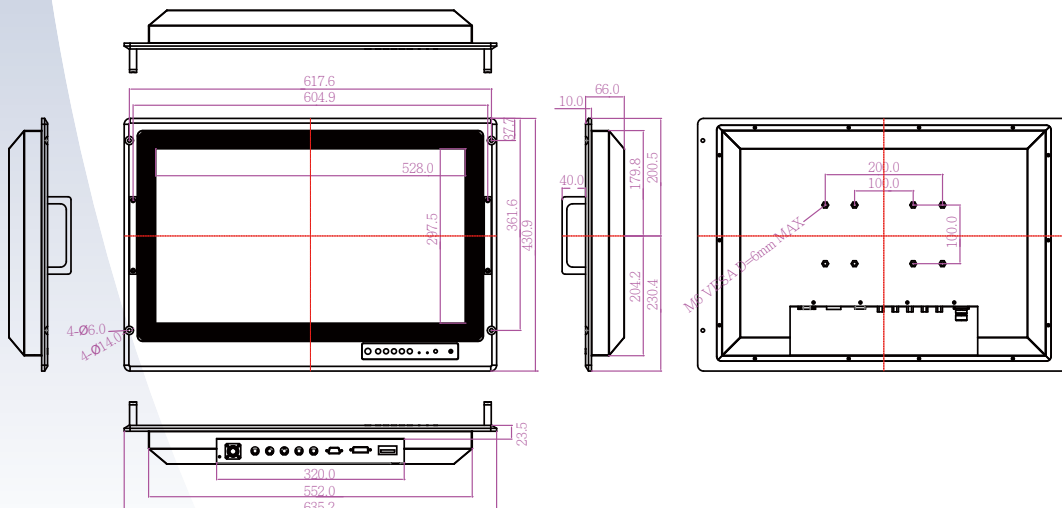
Vibration	MIL-STD-810F/G Method 514.5
Humidity	MIL-STD-810F/G Method 507.4
Transit Drop	MIL-STD-810F/G Method 516.5

Environmental(MIL-STD 416E/F Compliance)

RE	RE 101 / RE 102
CE	CE 101 / CE 102
Optional with EMI Glass / Touch	
RS	RS 101 / RS 103
CS	CS 101 / CS 106 / CS 109 / CS 114 CS 115 / Cs116

* If you require external test report, Winmate will charge NRE fee.

Mechanical Drawing



Note: All Specifications are subject to change without prior notice!

Revised Date: 27-Mar-2019 V1.5

Assured Systems

Assured Systems is a leading technology company with over 1,500 regular clients in 80 countries, deploying over 85,000 systems to a diverse customer base in 12 years of business. We offer high-quality and innovative rugged computing, display, networking and data collection solutions to the embedded, industrial, and digital-out-of-home market sectors.

US

sales@assured-systems.com

Sales: +1 347 719 4508
Support: +1 347 719 4508

1309 Coffeen Ave
Ste 1200
Sheridan
WY 82801
USA

EMEA

sales@assured-systems.com

Sales: +44 (0)1785 879 050
Support: +44 (0)1785 879 050

Unit A5 Douglas Park
Stone Business Park
Stone
ST15 0YJ
United Kingdom

VAT Number: 120 9546 28
Business Registration Number: 07699660