

TPM-3217



Industrial 17" LED Projected Capacitive Multi-touch Display



Features

- 17" LED SXGA LCD Panel up to 1280 x 1024 Resolution
- 5-wire Resistive / Projected Capacitive Touch Technology
- 12 ~ 24 V DC Power Input Pluggable Terminal Block
- Combined with RS-232 and USB Touch Interfaces (ResistiveTouch only)
- -20~60° C Operating Temperature
- Panel and VESA Mounting

Applications

- Embedded HMI Display System
- Factory / Manufacturing Automation
- ATM / Self-service / Kiosk Applications
- Vending Machine / Ticketing Machines

→ Packing List

Description
1 x TPM-3217 / TPM-3117
1 x Driver CD (Resistive Touch only)
1 x USB Cable
1 x VGA Cable
1 x Power Adapter (AC-to-DC, 12 V @ 5 A, 60 W)
6 x Panel Mounting Screws

→ Optional Items

Part No.	Description
ACS-PS-US	Power Cable 3-pin, 180 cm, USA Type
ACS-PS-EU	Power Cable 3-pin, 180 cm, Euro Type
ACS-PS-CN	Power Cable 3-pin, 180 cm, China Type
ACS-100-STD	VESA Table Stand

→ Ordering Information

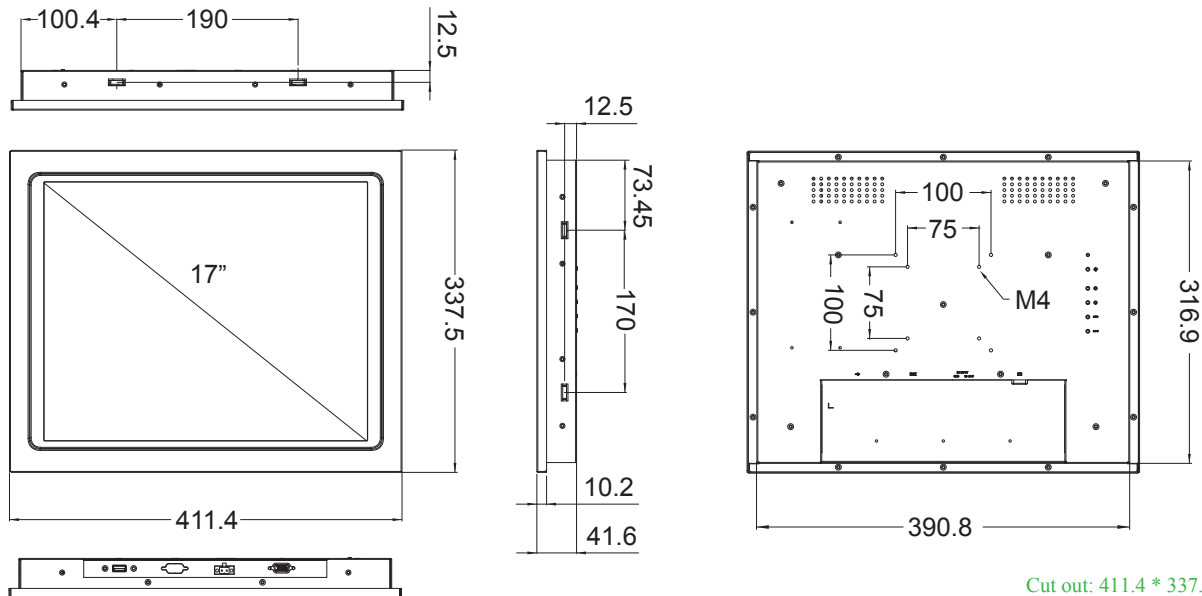
Part No.	Description
TPM-3217P-A1E	17" SXGA Industrial Ultra-slim Projected Capacitive Touch Display
TPM-3217R-A1E	17" SXGA Industrial Ultra-slim Resistive Touch Display
TPM-3117R-A1E	17" SXGA Industrial Ultra-slim Resistive Touch Open Frame

www.arestech.com.tw

TPM-3217

Arestech

→ **Dimensions**



Cut out: 411.4 * 337.5mm

→ **Specifications**

Model		TPM-3217P	TPM-3217R
Display	Panel Size	17" LED LCD Panel	
	Resolution	1280 x 1024 (SXGA)	
	Viewing Angle	85 x 85 (H), 80 x 85 (V)	
	Brightness	350 (cd/m2)	
	Color Support	16.7 M	
	Contrast Ratio	1000:1	
	Response Time	30 (msec)	
Touchscreen	Type	Projected Capacitive	5-Wire Resistive
	Surface Hardness	7 Mohs	3 Mohs
	Durability	-	10 million touches
	Transparency	90% (±3%)	80% (±3%)
I/O Interface	Video Interface	1 VGA	
	Touch Interface	Projected Capacitive (for USB only) / 5-Wire Resistive (for USB and RS-232)	
OSD Control	Function Key	5 Keys: Menu, Up, Down, Auto Adjust, Monitor Power on/off Menu Functions: Brightness, Contrast, Color Adjust, Color Temp, Auto Color, Language	
Power	Power Connector	Phoenix Terminal Block, 2 pins	
	Power Input	12-24 V DC power input, single power source	
	Power Consumption (Typical)	22 W	
Environment	Operating Temperature	-20~60° C (-4~140° F)	
	Storage Temperature	-30~70° C (-22~158° F)	
	Humidity	5~95% @ 40° C, Non-condensing	
	Vibration	5-500 Hz, 0.026 G ² /Hz, 2.16 Grms, X, Y, Z, 1 hour per axis	
General	Ingress Protection	IP54	
	Dimensions (W x H x D)	411.4 x 337.5 x 40.0 mm (16.19" x 13.28" x 1.57")	
	Weight	4.82 kg (10.6 lb)	
	Operating System	Windows CE/XP/7/8.1/10, WES7, WE8S, Linux Fedora, Ubuntu	

Tel: +886-2-2790-1930 Fax: +886-2-2790-1936 Email: service@arestech.com.tw

Assured Systems

Assured Systems is a leading technology company with over 1,500 regular clients in 80 countries, deploying over 85,000 systems to a diverse customer base in 12 years of business. We offer high-quality and innovative rugged computing, display, networking and data collection solutions to the embedded, industrial, and digital-out-of-home market sectors.

US

sales@assured-systems.com

Sales: +1 347 719 4508
Support: +1 347 719 4508

1309 Coffeen Ave
Ste 1200
Sheridan
WY 82801
USA

EMEA

sales@assured-systems.com

Sales: +44 (0)1785 879 050
Support: +44 (0)1785 879 050

Unit A5 Douglas Park
Stone Business Park
Stone
ST15 0YJ
United Kingdom

VAT Number: 120 9546 28
Business Registration Number: 07699660