

ARY-7235-AC-PD

Industrial Outdoor IP67 Plastic Housing IEEE 802.11a/b/g/n/ac Wireless Access Point/Client/Bridge/Repeater/Router with PoE PD



Features

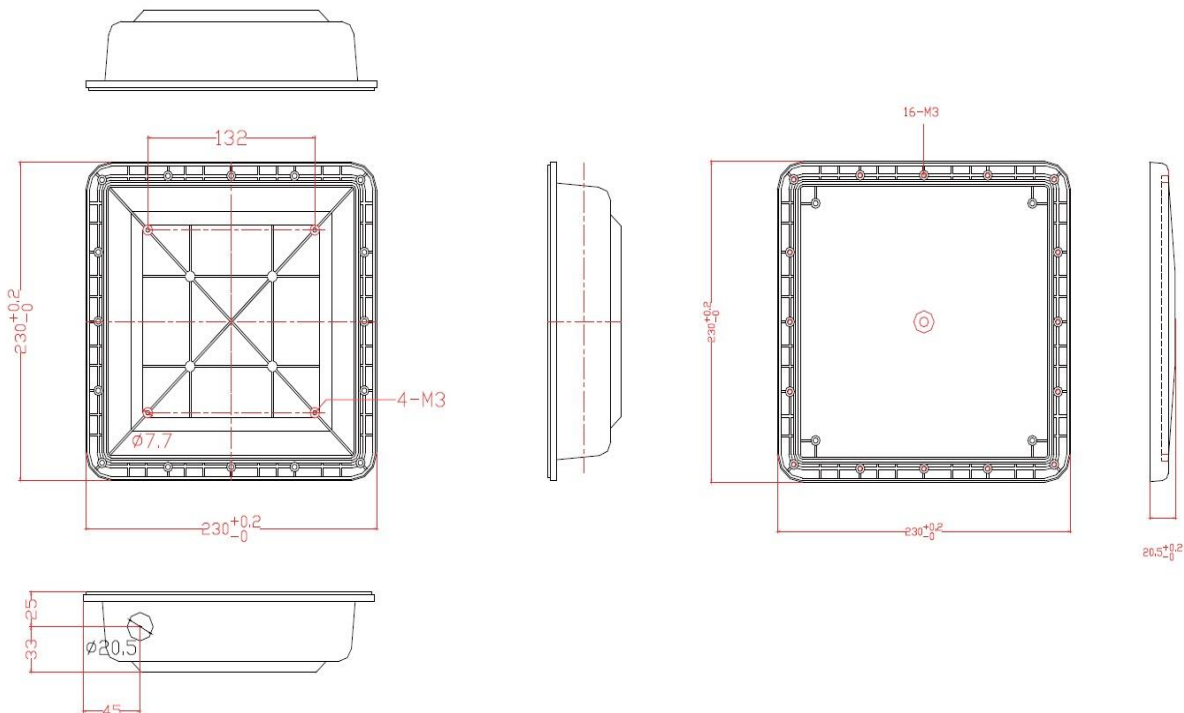
- ▶ High-speed WLAN Supports Up to 867Mbps
- ▶ Dual Band (2.4GHz/5GHz Concurrent)
- ▶ Industrial MIMO Wireless Solution (Dual 2Tx/2Rx)
- ▶ Supports IEEE 802.11a/b/g/n/ac
- ▶ PD (Powered Device) IEEE 802.3af/at Compliant
- ▶ Supports Ethernet Gigabit WAN/LAN Port
- ▶ Qualcomm IPQ4029 SoC
- ▶ Tx Power 25dBm for 2.4GHz/5GHz
- ▶ WPA, WPA2, WPA3, WEP, TKIP, AES
- ▶ IP67 Plastic Housing
- ▶ Pole Mountable
- ▶ Operating Temperature Range: -40°C to 50°C
- ▶ 5-Year Warranty

INTRODUCTION

Antaira Technologies' ARY-7235-AC-PD is designed for industrial and enterprise outdoor wireless access applications. Embedded with the Qualcomm IPQ4029 SoC chipset, it boasts network robustness, stability and a wider network coverage. Based on IEEE 802.11a/b/g/n/ac, the access point supports high-speed data transmission of up to 867Mbps.

The ARY-7235-AC-PD is capable of operating in different modes, which makes it suitable for a wide variety of wireless applications including long-distance deployments. With the standard operating temperature range of -40°C to 50°C and the plastic housing IP67 rated, this wireless access point is built for applications where extreme dust and other harsh environmental conditions exist.

DIMENSIONS



SPECIFICATIONS

Technology		Power Requirement		
Standards	IEEE 802.11a/b/g/n/ac Wireless LAN	Input Voltage	IEEE 802.3at PoE (48-56 VDC)	
	IEEE 802.3 10Base-T Ethernet	System Power Consumption	4.2 Watts	
	IEEE 802.3u 100Base-TX Fast Ethernet	Environmental Limits		
	IEEE 802.3ab 1000Base-T Gigabit Ethernet IEEE 802.3af/at Power over Ethernet	Operating Temperature	-40°C to 50°C	
WLAN Operation Mode	AP/Client/Bridge/Repeater/Router		Storage Temperature	-40°C to 80°C
Protocol	IP, TCP, UDP, ARP, BOOTP, ICMP, HTTP, HTTPS, DNS Proxy, NAPT, SNTP, Dynamic DNS, SMTP, SNMP		Ambient Relative Humidity	5% to 95%, (non-condensing)
Encryption Security	WPA, WPA2, WPA3, WEP, TKIP, AES, RADIUS, 802.1x/EAP		Regulatory Approvals	
Interface		EMI	FCC Part 15 Subpart B CE EN 55032	
Ethernet Port	WAN: 10/100/1000Tx LAN (PoE PD): 10/100/1000Tx	EMS	CE EN 55024 IEC61000-4-2,3,4,5,6,8,11	
WLAN	Dual Band 2.4GHz/5GHz concurrent	Green Certifications	RoHS Compliant FCC, CE	
Antenna	2*External N-Type Antennas: 5dBi for 2.4GHz, 5dBi for 5GHz (MIMO support, Dual 2Tx/2Rx)	Warranty	5 Years	
Frequency Range				
IEEE 802.11b/g/n (2.4GHz)	2.402G~2.482GHz			
IEEE 802.11a/n/ac (5GHz)	4.920G~5.920GHz			
Mechanical Characteristics				
Housing	Plastic, IP67 rated			
Dimensions	230 x 58 x 230 mm (W x H x D)			
Weight	Unit: 2.689 lbs. Shipping: 4.047 lbs.			
Mounting	Pole mounting			

ORDERING INFO

ARY-7235-AC-PD	Industrial Outdoor IP67 Plastic Housing IEEE 802.11a/b/g/n/ac Wireless Access Point/Client/Bridge/Repeater/Router with PoE PD
-----------------------	---

Assured Systems

Assured Systems is a leading technology company with over 1,500 regular clients in 80 countries, deploying over 85,000 systems to a diverse customer base in 12 years of business. We offer high-quality and innovative rugged computing, display, networking and data collection solutions to the embedded, industrial, and digital-out-of-home market sectors.

US

sales@assured-systems.com

Sales: +1 347 719 4508
Support: +1 347 719 4508

1309 Coffeen Ave
Ste 1200
Sheridan
WY 82801
USA

EMEA

sales@assured-systems.com

Sales: +44 (0)1785 879 050
Support: +44 (0)1785 879 050

Unit A5 Douglas Park
Stone Business Park
Stone
ST15 0YJ
United Kingdom

VAT Number: 120 9546 28
Business Registration Number: 07699660