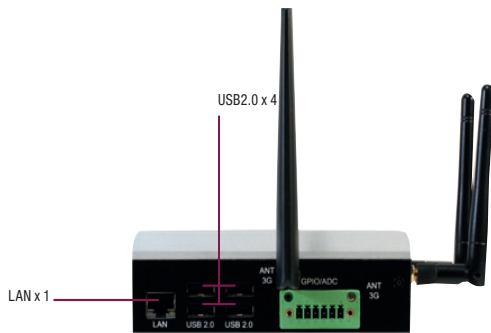
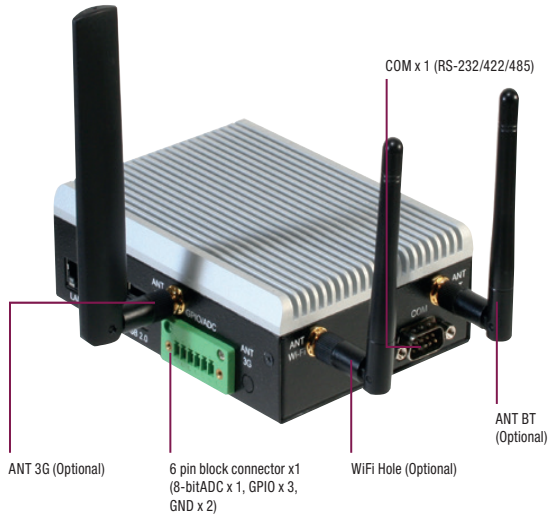


02 AIOT-IGWS01

Industrial Automation IoT Gateway

IoT Gateway/Node Systems

Front View



Rear View



Features

- Intel® Atom™ x5-Z8350 SoC
- Onboard 2GB DDR3L Memory, 32GB eMMC Storage
- Gigabit LAN x 1, HDMI x 1
- USB 2.0 x 4, USB 3.0 OTG x 1, COM x 2 (RS-232/422/485 x 2)
- Optional Wi-Fi, Bluetooth, and 3G or 4G LTE for Connectivity



Specifications

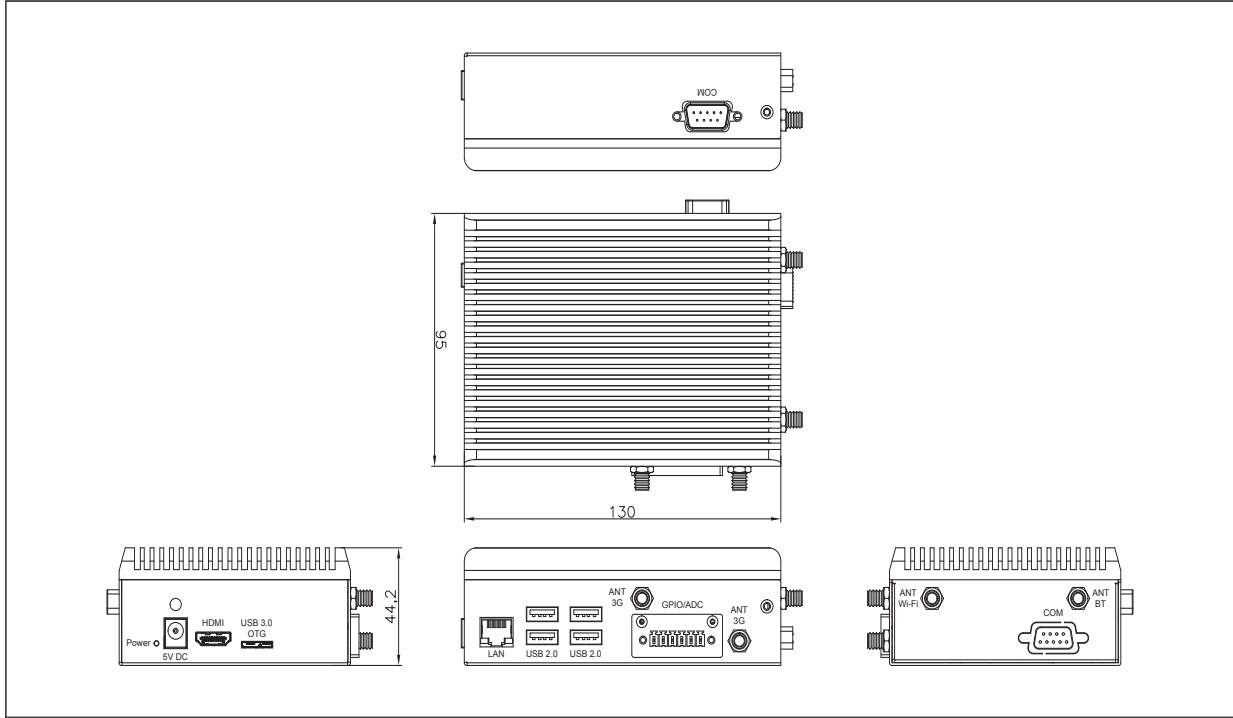
System	
CPU	Intel® Atom™ x5-z8350 SoC
Chipset	Intel® System on Chip
Memory	Onboard 2GB DDR3L-1600 memory
Storage	32GB eMMC on board
Display	HDMI
Ethernet	8111G x 1
USB	USB 2.0 x 4 USB 3.0 OTG x 1
COM	RS-232/422/485 x 2
Digital I/O	6-pin block connector x 1 (8-bit ADC x 1, GPIO x 3, GND x 2)
Expansion Slot	USB interface for WiFi Module x 1 (IEEE 802.11a/b/g/n/ac) USB interface for Bluetooth module x 1 (Bluetooth 4.0) Mini PCIe slot for 3G or 4G LTE module x 1 (USB interface) Micro SIM Socket x 1
Indicator	—
Wi-Fi	IEEE 802.11 a/b/g/n/ac (Optional)
Bluetooth	BT4.0 (Optional)
Lora	—
POE	—
OS Support	Microsoft Windows 10 IOT, Ubuntu 16.04, Android 6.0
I/O Placements	
Front I/O	DC connector x 1 Antenna hole x 1 HDMI Connector x 1 USB 3.0 OTG x 1 Power button x 1
Rear I/O	COM x 1 (RS-232/422/485 x 1) Antenna hole x 2
Right Side I/O	RJ45 Connector x 1 USB 2.0 Stack Connector x 2 Antenna hole x 2 6 pin block connector x 1 (8-bit ADC x 1, GPIO x 3, GND x 2)
Left Side I/O	COM x 1 (RS-232/422/485 x 1)
Power	
Power Requirement	5V DC in
Mechanical	
IP	—
Dimension	5.12" x 3.74" x 1.74" (130mm x 95mm x 44.2mm)
Mounting	VESA mount, DinRail (Optional)
Gross Weight	7.8lb (3.5kg)
Net Weight	5.6lb (2.5kg)
Environment	
Operating Temperature	32°F ~ 122°F (0°C ~ 50°C)
Storage Temperature	-4°F ~ 158°F (-20°C ~ 70°C)
Storage Humidity	0% ~ 90% relative humidity, non-condensing
Anti-Vibration	3 Grms /5 ~500Hz/Operation
Certification	CE, FCC Class A

AIOT-IGWS01

02

IoT Gateway/Node Systems

Dimension Unit: mm



Ordering Information

Part Number	CPU	RAM	Storage	LAN	USB	COM	Digital I/O	Display	WiFi/BT	LoRa	Mounting	PoE	Power	Operation Temp.
AIOT-IGWS01-A11-CA40232-A11	Intel® Atom™ x5-z8350 SoC	2GB	32GB	1	USB2.0 x 4 USB 3.0 OTG x 1	RS-232 x 2	6 pin block connector x 1 (8-bit ADC x 1, GPIO x 3, GND x 2)	HDMI x 1	—	—	—	—	5V DC In	32°F ~ 122°F 0°C ~ 50°C
AIOT-IGWS01-A11-CA41232-A11	Intel® Atom™ x5-z8350 SoC	2GB	32GB	1	USB2.0 x 4 USB 3.0 OTG x 1	RS-232 x 2	6 pin block connector x 1 (8-bit ADC x 1, GPIO x 3, GND x 2)	HDMI x 1	—	—	VESA Mount	—	5V DC In	32°F ~ 122°F 0°C ~ 50°C
AIOT-IGWS01-A13-CA40232-A11	Intel® Atom™ x5-z8350 SoC	2GB	32GB	1	USB2.0 x 4 USB 3.0 OTG x 1	RS-485 x 2	6 pin block connector x 1 (8-bit ADC x 1, GPIO x 3, GND x 2)	HDMI x 1	—	—	—	—	5V DC In	32°F ~ 122°F 0°C ~ 50°C
AIOT-IGWS01-A13-CA41232-A11	Intel® Atom™ x5-z8350 SoC	2GB	32GB	1	USB2.0 x 4 USB 3.0 OTG x 1	RS-485 x 2	6 pin block connector x 1 (8-bit ADC x 1, GPIO x 3, GND x 2)	HDMI x 1	—	—	VESA Mount	—	5V DC In	32°F ~ 122°F 0°C ~ 50°C
AIOT-IGWS01-A12-CA40232-A11	Intel® Atom™ x5-z8350 SoC	2GB	32GB	1	USB2.0 x 4 USB 3.0 OTG x 1	RS-422 x 2	6 pin block connector x 1 (8-bit ADC x 1, GPIO x 3, GND x 2)	HDMI x 1	—	—	—	—	5V DC In	32°F ~ 122°F 0°C ~ 50°C
AIOT-IGWS01-A12-CA41232-A11	Intel® Atom™ x5-z8350 SoC	2GB	32GB	1	USB2.0 x 4 USB 3.0 OTG x 1	RS-422 x 2	6 pin block connector x 1 (8-bit ADC x 1, GPIO x 3, GND x 2)	HDMI x 1	—	—	VESA Mount	—	5V DC In	32°F ~ 122°F 0°C ~ 50°C

Packing List

- AIOT-IGWS01

Optional Accessories

- **1255300203**
Power Adapter, AC/DC, 100-240VAC, 20W, 5V DC/4A
- **UP-BTKIT-A20-0001**
BT Kit with Bluetooth Module, A01
- **UP-WIFIMD-A20-5001**
WiFi Kit with 5M02 Module, A01
- **9741UC20G0**
3G Module Kit with UC20-G
- **9741EC25A0**
4G LTE Module kit with EC25-A for AT&T
- **9741EC25V0**
4G LTE Module Kit with EC25-V for Verizon
- **9741EC25E0**
4G LTE Module Kit with EC25-E for Europe & Asia

Assured Systems

Assured Systems is a leading technology company with over 1,500 regular clients in 80 countries, deploying over 85,000 systems to a diverse customer base in 12 years of business. We offer high-quality and innovative rugged computing, display, networking and data collection solutions to the embedded, industrial, and digital-out-of-home market sectors.

US

sales@assured-systems.com

Sales: +1 347 719 4508
Support: +1 347 719 4508

1309 Coffeen Ave
Ste 1200
Sheridan
WY 82801
USA

EMEA

sales@assured-systems.com

Sales: +44 (0)1785 879 050
Support: +44 (0)1785 879 050

Unit A5 Douglas Park
Stone Business Park
Stone
ST15 0YJ
United Kingdom

VAT Number: 120 9546 28
Business Registration Number: 07699660