

AMS-2111 Series

Industrial IEEE 802.11 b/g/n 2.4GHz
Wireless AP/Client/Bridge/Repeater



Features

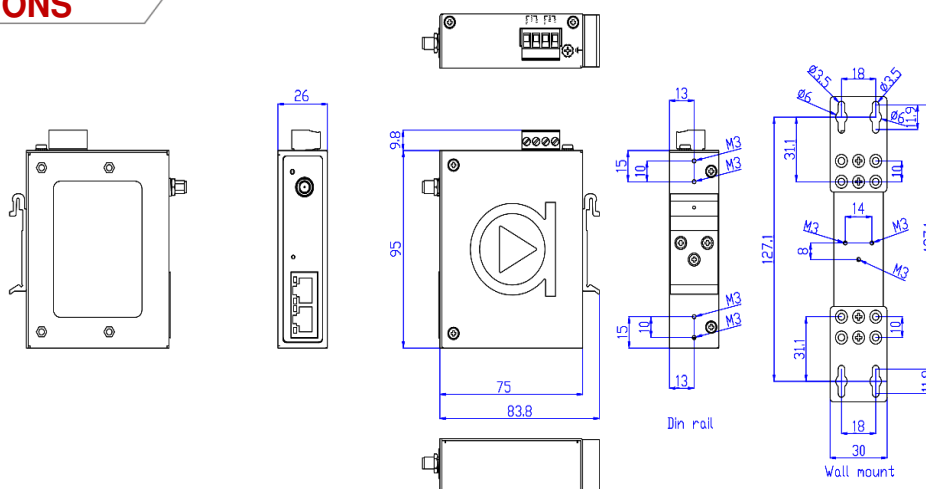
- ▶ WLAN Supports up to 150Mbps
- ▶ Industrial 1x1 SISO (Single Input Single Output)
- ▶ Supports IEEE 802.11 b/g/n
- ▶ Supports 2*10/100Base-TX WAN/LAN Port
- ▶ Qualcomm/Atheros AR9331 SoC
- ▶ Tx Power (EIRP) 21 dB for 2.4GHz
- ▶ WPA, WPA2, TKIP, AES
- ▶ Power Input: 9~48VDC in 4-Pin Terminal Block
- ▶ Reverse Polarity Protection
- ▶ IP30 Protection
- ▶ DIN-Rail or Wall Mountable
- ▶ Operating Temperature Range
 - STD: 0° to 60°C, EOT: -40° to 75°C
- ▶ 5-Year Warranty

INTRODUCTION

Antaira Technologies' **AMS-2111 Series** is designed for industrial and enterprise wireless access applications. Embedded with the Qualcomm/Atheros AR9331 chipset, it boasts network robustness, stability, and a wider network coverage with a very low voltage input. Based on IEEE 802.11 b/g/n, the access point supports high-speed data transmission of up to 150Mbps.

The **AMS-2111 Series** is capable of operating in different modes which makes it suitable for a wide variety of wireless applications, including long-distance deployments. The unit also allows the user to position the wireless antenna in a better signal-broadcasting location for improved wireless coverage and signal strength or simply in a more convenient location.

DIMENSIONS



SPECIFICATIONS

Technology		Power Requirement	
Standards	IEEE 802.11 b/g/n IEEE 802.3 10Base-T Ethernet IEEE 802.3u 100Base-TX Fast Ethernet	Input Voltage	9 to 48VDC redundant input
WLAN Operation Mode	AP/Client/Bridge/Repeater	Power Connection	4-pin terminal block
Protocol	IP, TCP, UDP, ARP, BOOTP, ICMP, HTTP, HTTPS, DNS Proxy, NTP, RADIUS, Dynamic DNS, SNMP	Reverse Polarity Protection	Present
WiFi Encryption	WPA, WPA2, TKIP, AES	Power Consumption	2 Watts
Interface		Environmental Limits	
Ethernet Port	2*10/100BaseT(X), auto negotiation speed, Full/Half Duplex Mode	Operating Temperature	STD: 0°C to 60°C (32 to 140°F) EOT: -40°C to 75°C (-40 to 167°F)
WLAN	Single Radio 2.4 GHz	Storage Temperature	-40°C to 90°C (-40 to 194°F)
Antenna	One External SMA Antenna: 3dBi for 2.4GHz (SISO)	Ambient Relative Humidity	10% to 90%, (non-condensing)
Frequency Range		Regulatory Approvals	
IEEE 802.11b/g/n (2.4GHz)	US/TW: 2.412G~2.462GHz EU/AU/NZ: 2.412G~2.472GHz	EMI	FCC Part 15 Subpart B CE EN 55032, EN301489-1/-17 FCC Part 15 subpart B CNS13438 AS/NZS CSIPR 32
Mechanical Characteristics		EMS	CE EN 55024 IEC61000-4-2 (ESD), IEC61000-4-3 (RS), IEC61000-4-4 (EFT), IEC61000-4-5 (Surge), IEC61000-4-6 (CS), IEC61000-4-8 (Magnetic Field) IEC61000-4-11
Housing	Metal, IP30 protection	RF	FCC Part 15 Subpart C/E CE-RED EN300328 EN301893 EN301489-1/-17 LP0002 AS/NZS 4268
Dimensions	26 x 95 x 75 mm (W x H x D)	RF Radiation Exposure	EN62311 FCC Part 2.1091
Weight	Unit: 0.60 lbs. Shipping: 1.0 lbs.	Safety	EN60950-1 CNS14336-1
Mounting	DIN-Rail Mounting, Wall Mounting	Green	RoHS Compliant
		Certifications	FCC, CE, NCC, RCM
		Warranty	5 Years

ORDERING INFO

AMS-2111	Industrial IEEE 802.11 b/g/n Single Radio Wireless Access Point/Client/Bridge/Repeater; STD: 0°C to 60°C
AMS-2111-T	Industrial IEEE 802.11 b/g/n Single Radio Wireless Access Point/Client/Bridge/Repeater; EOT: -40°C to 75°C
Optional Accessories	
HDR-60-24	60W Industrial DIN-Rail Power Supply, 24VDC
NDR-75-12	75W Industrial DIN-Rail Power Supply, 12VDC

Assured Systems

Assured Systems is a leading technology company with over 1,500 regular clients in 80 countries, deploying over 85,000 systems to a diverse customer base in 12 years of business. We offer high-quality and innovative rugged computing, display, networking and data collection solutions to the embedded, industrial, and digital-out-of-home market sectors.

US

sales@assured-systems.com

Sales: +1 347 719 4508
Support: +1 347 719 4508

1309 Coffeen Ave
Ste 1200
Sheridan
WY 82801
USA

EMEA

sales@assured-systems.com

Sales: +44 (0)1785 879 050
Support: +44 (0)1785 879 050

Unit A5 Douglas Park
Stone Business Park
Stone
ST15 0YJ
United Kingdom

VAT Number: 120 9546 28
Business Registration Number: 07699660