

# INJ-C200G-60-24-T-AIX

Industrial IEEE 802.3bt Gigabit Type 3 4PPoE Injector;  
EOT: -40°C ~ 75°C - This injector is designed for use with  
Axis Q6055-e MKii PTZ camera requiring High Power (up  
to 60 watts)



## Features

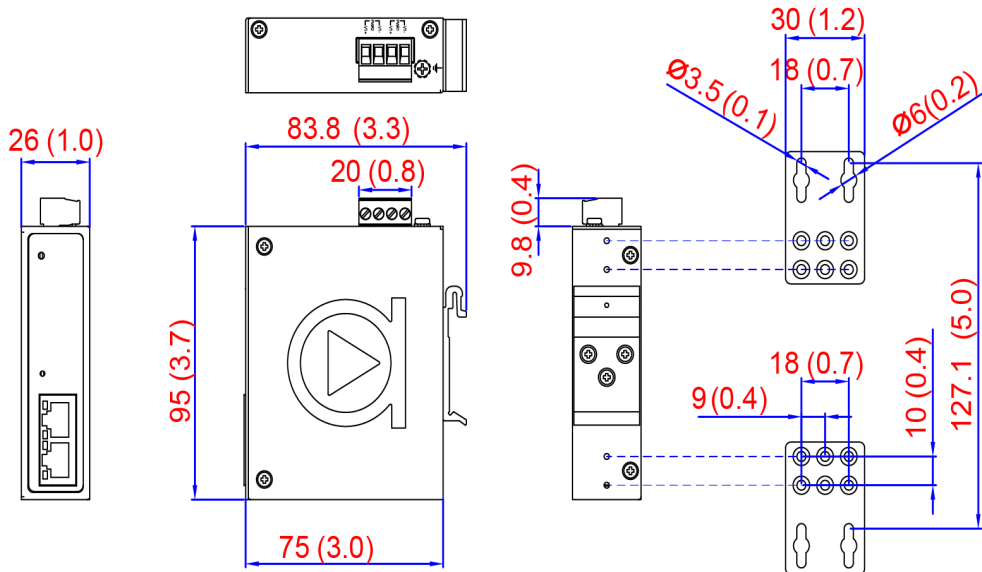
- ▶ Supports 10/100/1000Tx for PoE & Data Out
- ▶ Provide Data and Power over Ethernet to Power Device
- ▶ Provides up to 60 Watts on PoE Port
- ▶ Allows Power Input of 9~48VDC
- ▶ IP30 Protection
- ▶ Operating Temperature Range (– EOT): -40° to 75°C
- ▶ DIN-Rail or Wall Mountable
- ▶ 5-Year Warranty

## INTRODUCTION

Antaira Technologies' INJ-C200G-60-24-T-AIX is an industrial high-power Power over Ethernet (PoE) injector. By utilizing multiple pairs of pins on the RJ45 cable this industrial grade PoE injector is capable of providing up to 60 Watts of power to end devices.

The INJ-C200G-60-24-T-AIX is IP30 rated, DIN-rail mountable, and supports an extended temperature of -40°C to 75°C, making it ideal for outdoor or harsh industrial applications.

## DIMENSIONS



Unit: mm (inch)

Din-rail

Wall-mount

## SPECIFICATIONS

Technology		Power Requirement	
<b>Standards</b>	IEEE 802.3 10BaseT Ethernet IEEE 802.3u 100BaseTX Fast Ethernet IEEE 802.3ab 1000BaseT(X)	<b>Input Voltage</b>	9~48VDC, Power Inputs
Switch Properties		<b>Power Connection</b>	4-pin terminal block
<b>Transfer Rate</b>	14,880pps for Ethernet Port 148,800pps for Fast Ethernet Port 1,488,000pps for Gigabit Ethernet Port	<b>Reverse Polarity Protection</b>	Present
Interface		<b>Overload Current Protection</b>	Present
<b>Ethernet Port</b>	2*10/100/1000BaseT(X) (1*Data IN, 1*PoE OUT)	<b>Power Consumption</b>	5Watts for system
<b>PoE Port Pin Assignment</b>	V+ for pin 3, 4, 5, 6 V- for pin 1, 2, 7, 8	<b>PoE Power Output</b>	60W max. per PoE port
<b>LED Indicators</b>	Power and PoE	<b>Max. PoE Power Budget</b>	60Watts
Mechanical Characteristics		Environmental Limits	
<b>Housing</b>	Metal, IP30 protection	<b>Operating Temperature</b>	EOT: -40°C ~ 75°C
<b>Dimensions</b>	26 x 95 x 75 mm (W x H x D)	<b>Storage Temperature</b>	-40°C ~ 85°C
<b>Weight</b>	Unit: 0.60 lbs. Shipping: 1.0 lbs.	<b>Ambient Relative Humidity</b>	5% to 95%, (non-condensing)
<b>Mounting</b>	DIN-Rail Mounting, Wall Mounting	Regulatory Approvals	
		<b>EMI</b>	CE, FCC Class A EN61000-6-4, EN61000-6-2, EN61000-4-2 (ESD), EN61000-4-3 (RS), EN61000-4-4 (EFT), EN61000-4-5 (Surge), EN61000-4-6 (CS), EN61000-4-8 (Magnetic Field)
		<b>Free Fall</b>	IEC60068-2-32
		<b>Shock</b>	IEC60068-2-27
		<b>Vibration</b>	IEC60068-2-6
		<b>Green</b>	RoHS Compliant
		<b>Certifications</b>	FCC, CE
		<b>Warranty</b>	5 Years

## ORDERING INFO

<b>INJ-C200G-60-24-T-AIX</b>	Industrial IEEE 802.3bt Gigabit Type 3 4PPoE Injector; EOT: -40°C ~ 75°C - This injector is designed for use with Axis Q6055-e MKii PTZ camera requiring High Power (up to 60 watts)
------------------------------	--

## Assured Systems

Assured Systems is a leading technology company with over 1,500 regular clients in 80 countries, deploying over 85,000 systems to a diverse customer base in 12 years of business. We offer high-quality and innovative rugged computing, display, networking and data collection solutions to the embedded, industrial, and digital-out-of-home market sectors.

### US

[sales@assured-systems.com](mailto:sales@assured-systems.com)

Sales: +1 347 719 4508  
Support: +1 347 719 4508

1309 Coffeen Ave  
Ste 1200  
Sheridan  
WY 82801  
USA

### EMEA

[sales@assured-systems.com](mailto:sales@assured-systems.com)

Sales: +44 (0)1785 879 050  
Support: +44 (0)1785 879 050

Unit A5 Douglas Park  
Stone Business Park  
Stone  
ST15 0YJ  
United Kingdom

VAT Number: 120 9546 28  
Business Registration Number: 07699660