

# L-9017

*inLog*

Ethernet-Based 8-ch Isolated Analog Input Module



## Features

- ◆ Support protocol Modbus/ TCP, TCP/IP, UDP, ICMP, ARP
- ◆ Provide two digital outputs (open collector)
- ◆ Ethernet 10/100 Based-T communication
- ◆ Support isolated input channels
- ◆ Support  $\pm V$ ,  $\pm mV$ , mA analog input
- ◆ Fully photo-Isolation 3750Vrms
- ◆ Built-In TVS/ESD protection
- ◆ Wide supply voltage (10~30V)

## Specifications

### Interface:

Communication Protocol	10/100 Based-T Ethernet Modbus/TCP, TCP/IP, UDP, ICMP and ARP	Accuracy	$\pm 0.05\%$ or better $\pm 20\mu V/^\circ C$
LED Indication	LED for power and Ethernet link status	Span Drift	$^\circ C$
Isolation Voltage	3000VDC	CMRR	25 ppm/ $^\circ C$ 50/60 Hz: 92 dB
		Over Voltage Protection	$\pm 60V$
		Burn-Out	Wire burn-out auto detection

### Analog Input:

Effective Resolution	16-bit
Input channels	8 differential
Input Type	mV, V, mA
Input Range	$\pm 150mV$ , $\pm 500mV$ , $\pm 1V$ , $\pm 5V$ , $\pm 10V$ , 0-20mA, 4-20mA
Isolation Voltage	2500Vrms
Fault and Overvoltage Protection	Withstands overvoltage up to $\pm 35V$
Sampling Rate	10 samples/sec
Input Impedance	20M $\Omega$
Bandwidth	13.1Hz, 50Hz, 15.72Hz, 60Hz

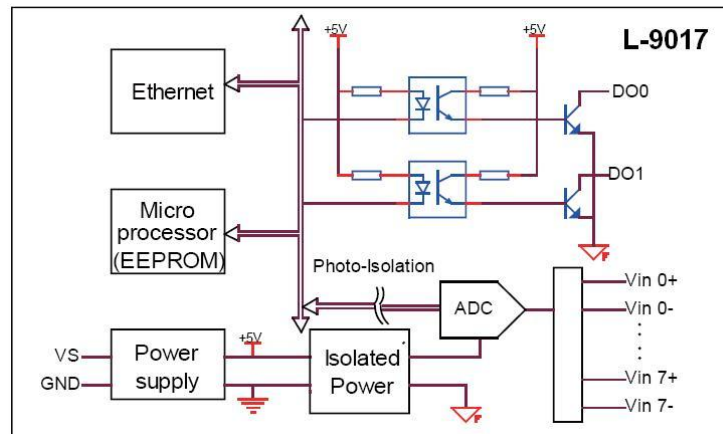
### Digital Output :

Channels	2
Sink Type	Open collector to 50V, 500mA (Maximum Load)
Power Dissipation	300mW max. for each module

### Power Requirement :

Consumption	2.2W
Power Input	10~30VDC (unregulated)
Humidity	5 ~ 95% RH, non-condensing

## Block Diagram





## Assured Systems

Assured Systems is a leading technology company with over 1,500 regular clients in 80 countries, deploying over 85,000 systems to a diverse customer base in 12 years of business. We offer high-quality and innovative rugged computing, display, networking and data collection solutions to the embedded, industrial, and digital-out-of-home market sectors.

### US

[sales@assured-systems.com](mailto:sales@assured-systems.com)

Sales: +1 347 719 4508  
Support: +1 347 719 4508

1309 Coffeen Ave  
Ste 1200  
Sheridan  
WY 82801  
USA

### EMEA

[sales@assured-systems.com](mailto:sales@assured-systems.com)

Sales: +44 (0)1785 879 050  
Support: +44 (0)1785 879 050

Unit A5 Douglas Park  
Stone Business Park  
Stone  
ST15 0YJ  
United Kingdom

VAT Number: 120 9546 28  
Business Registration Number: 07699660