

AVS-290

Desktop/Wallmount Intel® Xeon® E3-1200 Video Wall Controller, Supporting 8-output Video Wall

NEW



CE FCC



Features

- Validated by Matrox
- Supports Mura Card : 2 Mura MPX-4/4
- Maximum Video Input: 8 Analog/Digital
- Maximum Video Output: 8 Analog/Digital
- Processor : Intel Xeon E3-1200 series up to 4 cores/ 8 threads
- Memory: DDR3-1333MHz (ECC) U-DIMM up to 32GB
- Remote Management: IPMI, Advantech Remote Monitoring Utility

Specifications

Processor System	Chipset	Intel C206 Chipset
	CPU	Intel LGA1155 Xeon E3-1200 / Core i3-2120 / Pentium G850 Single processor
	L2 Cache	8MB/6MB/3MB
	Front Side Bus	-
	Memory	Dual Channel DDR3 ECC/Non-ECC 1066/1333 MHz up to 32GB
Graphics	Controller	Aspeed AST2300 (Needs being disabled when Mura MPX is installed)
	VRAM	64 MB
Expansion Slot	PCIe Gen.2 x16	2 (For Mura MPX installation. Auto switch to x8 link if slot 4 is occupied)
	PCIe Gen.2 x4	1
	PCIe Gen.2 x1	1
	PCI 32bit/33MHz	3
Drive Bay	Slime optical disk drive Bay	-
	5.25" Front-Accessible	1
	3.5" Hot-swappable	2 x SATA
	3.5" Internal	1 x SATA
Ethernet	Interface	Quad 10/100/1000 Mbps Gigabit Ethernet
	Controller	GbE LAN1: Intel 82579LM; GbE LAN2: Intel 82574L; GbE LAN3/4: Intel 82580DB
Front I/O Interface	USB	2 x USB2.0
	USB	4 x USB2.0
Rear I/O Interface	PS/2	2
	COM	1 (RS-232), COM1 don't support wake-on-modem)
	Display	1 x VGA
	Parallel	-
	RJ-45	4
Watchdog Timer	Output	Interrupt, system reset
	Interval	Programmable, 1 ~ 255 sec/min
Power Supply	Power Output Wattage	80+ Bronze 400W ATX PS/2 Single Power Supply
	Input Range	AC 100 ~ 240 V
Cooling	Chassis Fan	1 (12 cm/85 CFM) + 1 (6 cm/27.7CFM)
	Air Filter	Yes
Miscellaneous	LED Indicators	Power status, HDD activity, Temperature and FAN Status
	Remote Management	Advantech Remote Monitoring Utility
Environment	Temperature	Operating: 0 ~ 40° C (32 ~ 104° F) Non-Operating: -20 ~ 60° C (-4 ~ 140° F)
	Humidity	10 ~ 85% @ 40° C
	Vibration (5-500 Hz)	0.5Grms 2Grms
	Shock	10G (with 11 ms duration, half sine wave) 30G
Physical Characteristics	Dimension	200 x 320 x 480 mm (7.9" x 12.6" x 18.9")

AVS-290

Dimensions

Unit: mm [inch]

Installation

Unit: mm [inch]

Ordering Information

Advantech P/N	Description
AVS-290-00A1E	Desktop/Wall-mount Xeon E3-1200 Video Wall Controller supporting dual Mura MPX
1960047669N001	Cooler for Xeon E3-1200 series CPU with TDP Up To 95W

Note: Purchasing this CPU cooler is a must, other brand CPU cooler may result in compatibility issue.

Optional Accessories

Item	Advantech P/N
Filter cover	2130006149S000
HD Audio-Card (Occupying 1 expansion slot)	PCA-AUDIO-HDA1E

System Contents

Item	Advantech P/N	Quantity
AVS-290 Bare-Bone System	N/A	1
Driver CD	2066S78100	1

Note: CPU cooler needs to be purchased separately.

Validated OS

Advantech P/N	OS for Embedded System
968QS28F08	Windows Server® 2008 with Hyper-V™ Standard 64 Bit
968QSV2845	Windows Server® 2008 without Hyper-V™ Standard 64 Bit
968QW7PROE	Windows® 7 Professional 64 Bit

Compatible Processors

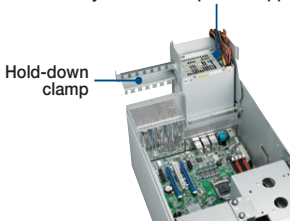
Advantech P/N	Description
96MPXE-3.1-6M11T	XEON 3.1G 6M 1155P 4CORE E3-1225(G)
96MPXE-3.4-8M11T	XEON 3.4G 8M 1155P 4CORE E3-1275(G)
96MPI3-3.3-3M11T	CORE 3.3G 3M 1155P 2CORE I3-2120(G)

Validated Matrox Mura Cards

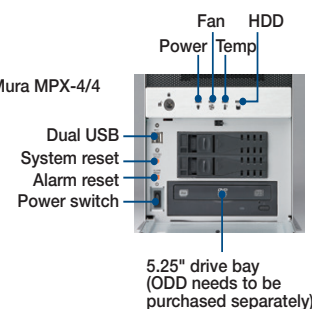
Advantech P/N	Model	Output	Input
96VG-2G-PE-MA	Mura MPX-4/0	4	0
96VG-2G-PE-MA1	Mura MPX-4/2	4	2
96VG-2G-PE-MA2	Mura MPX-4/4	4	4
96VG-1G-PE-MA	Mura MPX-SDI	2	2
96VG-128M-PE-MA	Mura MPX-V8	0	8
96VG-256M-PE-MA	Mura MPX-V16	0	16

Inside view

Easy-to-maintain power supply bracket



Rear view



Assured Systems

Assured Systems is a leading technology company with over 1,500 regular clients in 80 countries, deploying over 85,000 systems to a diverse customer base in 12 years of business. We offer high-quality and innovative rugged computing, display, networking and data collection solutions to the embedded, industrial, and digital-out-of-home market sectors.

US

sales@assured-systems.com

Sales: +1 347 719 4508
Support: +1 347 719 4508

1309 Coffeen Ave
Ste 1200
Sheridan
WY 82801
USA

EMEA

sales@assured-systems.com

Sales: +44 (0)1785 879 050
Support: +44 (0)1785 879 050

Unit A5 Douglas Park
Stone Business Park
Stone
ST15 0YJ
United Kingdom

VAT Number: 120 9546 28
Business Registration Number: 07699660