



Intel® Atom™ E3800 Series
Fanless Embedded Systems

EC700-BT



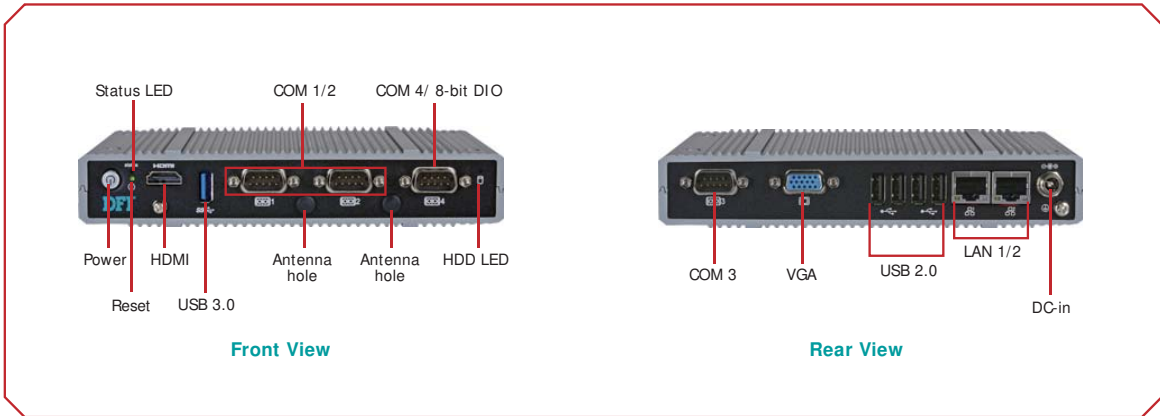
► Features

- 4GB/ 2GB DDR3L ECC onboard
- 1 mSATA, eMMC (optional)
- 1 2.5" SATA drive bay
- Supports Wi-Fi, 3G, and GPRS application
- Error Correcting Code (ECC) delivers a high level of data integrity, reliability, and system uptime

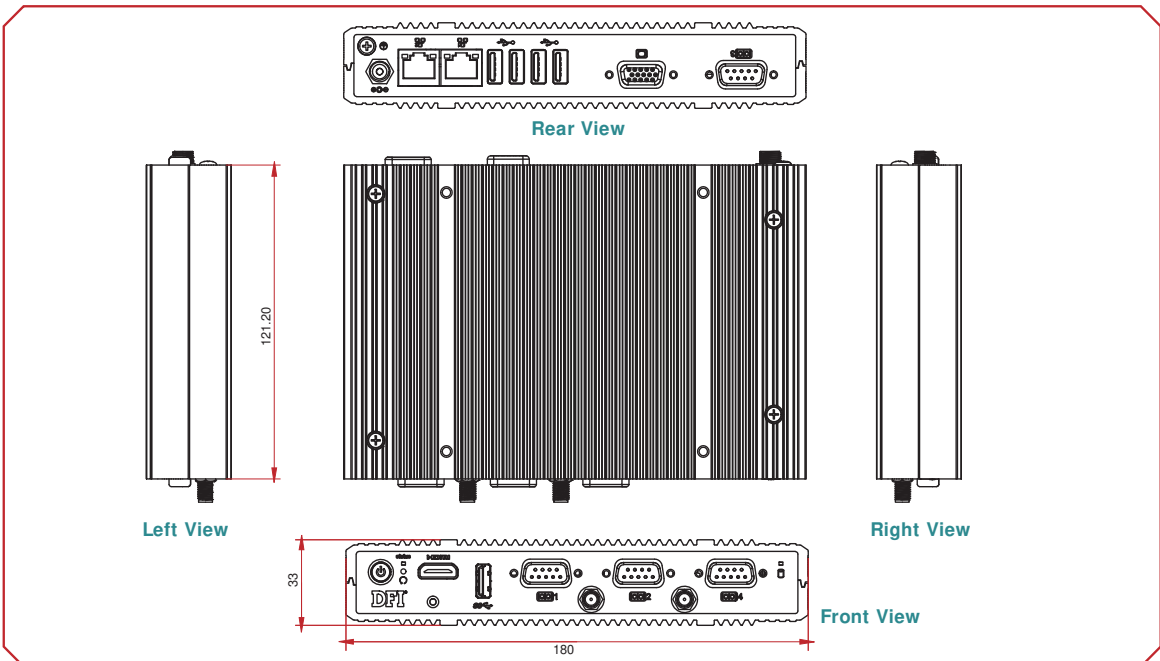


Light-weight, fanless system
Low-power, high-performance

► Panel



► Dimensions



Intel® Atom™ E3800 Series
Fanless Embedded Systems



EC700-BT

► Specifications

PROCESSOR SYSTEM

- Intel® Atom™ E3845, Quad Core, 2M Cache, 1.91GHz, 10W
- Intel® Atom™ E3825, Dual Core, 1M Cache, 1.33GHz, 6W
- BGA 1170 packaging technology
- 22nm process technology

MEMORY

- 4GB/2GB DDR3L ECC onboard
- Supports DDR3L 1333MHz (-E45)
Supports DDR3L 1066MHz (-E25)
- Supports dual channel memory interface (-E45)
Supports single channel memory interface (-E25)

GRAPHICS

- Intel® HD Graphics
- Display ports: 1 HDMI and 1 VGA (DVI-I optional)
- VGA and DVI-I: 24-bit, resolution up to 2560x1600 @ 60Hz
- HDMI: resolution up to 2560x1600 @ 24Hz

STORAGE

- 1 2.5" SATA drive bay
 - SATA 2.0 port with data transfer rate up to 3Gb/s
- 1 mSATA module via a Mini PCIe slot
- Supports 4GB, 8GB and 16GB eMMC onboard (option)

ETHERNET

- 2 Intel® I210 PCI Express Gigabit Ethernet controllers
- Integrated 10/100/1000 transceiver
- Fully compliant with IEEE 802.3, IEEE 802.3u, IEEE 802.3ab

COM

- 4 DB-9 ports
 - 3 DB-9 port supports RS232/422/485 COM port
 - 1 DB-9 port supports RS232/422/485 COM or 8-bit DIO

EXPANSION

- 3 Mini PCIe slots
 - 2 slots for communication
 - : One half size slot supports PCIe, USB, and LPC signals for Wi-Fi module or LPC module
 - : One full size slot supports PCIe, USB, and 3G signals for 3G or GPRS module
 - 1 full size slot for storage
 - : Supports mSATA module
- 1 SIM card socket
- 1 microSD socket (optional)

DIO

- 1 8-bit DIO via the DB-9 port

I/O PORTS

- Front Panel
 - 3 DB-9 serial ports
 - : supports RS232/422/485 (RS232 and/or power)
 - : One of the ports supports an optional 8-bit DIO
 - 1 USB 3.0 (Type A) port
 - 1 HDMI port
 - 2 Wi-Fi antenna holes
 - 1 status LED
 - 1 HDD LED
 - 1 reset button
 - 1 power button
- Rear Panel
 - 1 DB-9 serial port
 - : supports RS232/422/485 (RS232 and/or power)
 - 1 VGA port; or 1 DVI-I port (optional)
 - 4 USB 2.0 (Type A) ports
 - 2 RJ45 LAN ports
 - 1 9~36V DC-in jack

POWER

- Power input voltage: 9~36V DC-in jack

ENVIRONMENT

- Temperature
 - Operating: 0°C~60°C (SSD/mSATA/CFast)
 - Operating: 0°C~50°C (HDD)
 - Storage: -20°C~85°C
- Operating Vibration
 - MIL-STD-810F 514-5C-2 (SSD/mSATA)
 - MIL-STD-810F 514-5C-1 (HDD)
- Operating Shock
 - Half sine wave 15G, 11ms, 3 shock per axis (SSD/mSATA)
 - Half sine wave 3G, 11ms, 3 shock per axis (HDD)

CONSTRUCTION

- Aluminum + metal aluminum

MOUNTING

- Wall/VESA mount
 - Mounting brackets and screws (optional)

DI MENSIONS

- 180mm x 33mm x 121.2mm (W x H x D)

WEIGHT

- TBD

OS SUPPORT

- Windows 7 Ultimate x64 & SP1 (64-bit)
- Windows 8 Enterprise x86 (32-bit)
- Windows 8 Enterprise x64 (64-bit)
- Windows 8.1 Enterprise x86 (32-bit)
- Windows 8.1 Enterprise x64 (64-bit)

WATCHDOG TIMER

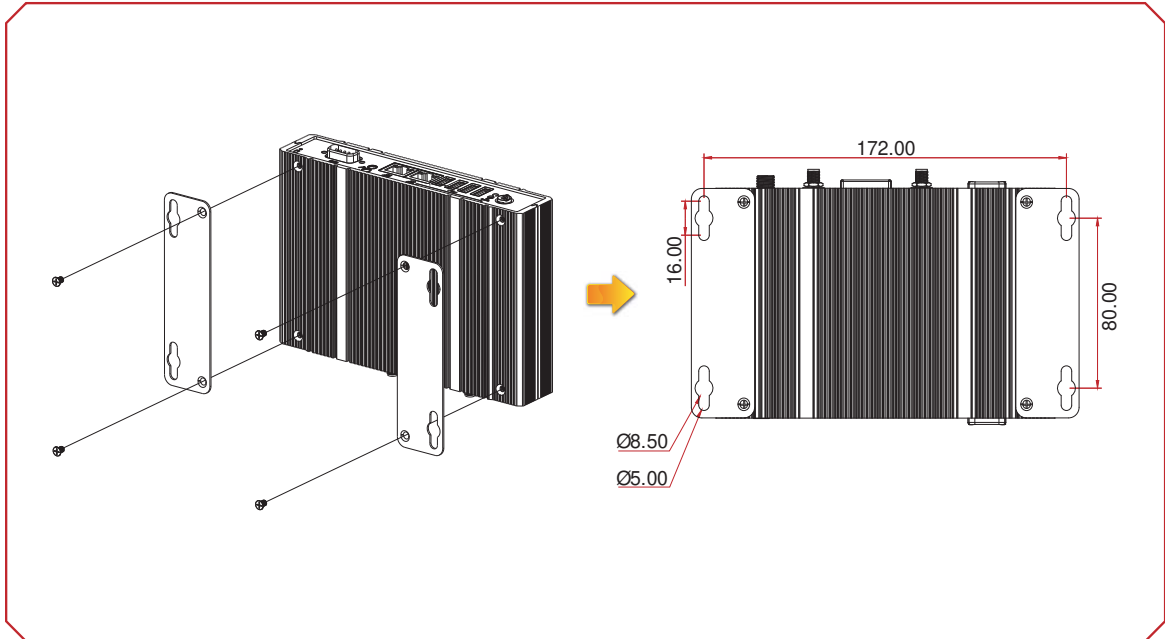
- Watchdog timeout programmable via software from 1 to 255 seconds



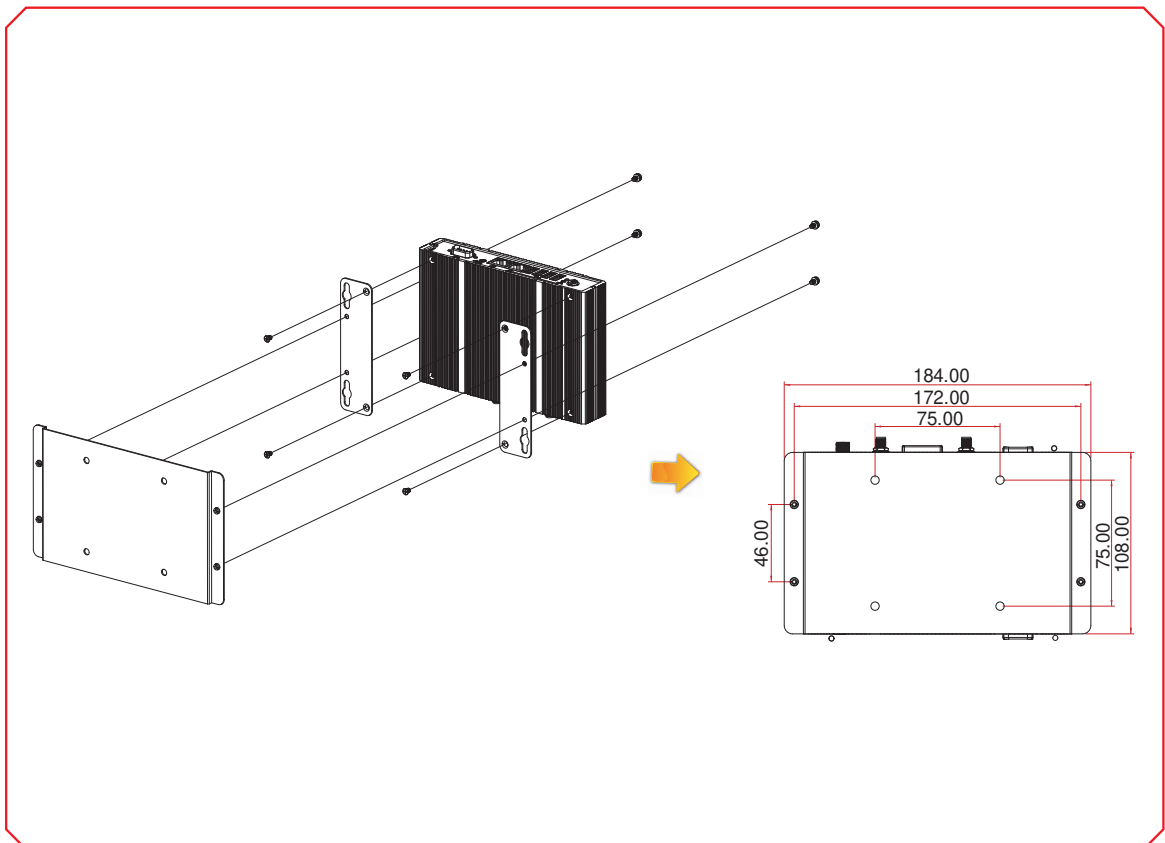
Intel® Atom™ E3800 Series
Fanless Embedded Systems

EC700-BT

► Wall Mounting



► VESA Mounting



Intel® Atom™ E3800 Series
Fanless Embedded Systems



EC700-BT

► Ordering Information

Model Name	Part Number	Description
EC700-BT4051-252		Fanless, Intel Atom E3825, 2 LAN, 1 HDMI, 1 VGA, 4 COM, 5 USB, 2GB DDR3L onboard, RoHS
EC700-BT4051-254		Fanless, Intel Atom E3825, 2 LAN, 1 HDMI, 1 VGA, 4 COM, 5 USB, 4GB DDR3L onboard, RoHS
EC700-BT4051-452	750-EC7000-900G	Fanless, Intel Atom E3845, 2 LAN, 1 HDMI, 1 VGA, 4 COM, 5 USB, 2GB DDR3L onboard, RoHS
EC700-BT4051-454	750-EC7000-700G	Fanless, Intel Atom E3845, 2 LAN, 1 HDMI, 1 VGA, 4 COM, 5 USB, 4GB DDR3L onboard, RoHS

► Optional Items

Optional Items	Part Number	Description
HDD	785-H25500G	2.5" SATA HDD, 500GB, RoHS
	785-H25320G	2.5" SATA HDD, 320GB, RoHS
	785-S25128G	2.5" SATA SSD, 128GB MLC, RoHS
	785-S25064G	2.5" SATA SSD, 64GB MLC, RoHS
	785-S25032G	2.5" SATA SSD, 32GB MLC, RoHS
mSATA	785-MS64GMF	mSATA Card, 64GB MLC, RoHS
	785-MS32GMF	mSATA Card, 32GB MLC, RoHS
	785-MS16GMF	mSATA Card, 16GB MLC, RoHS
	785-MS08GMF	mSATA Card, 8GB MLC, RoHS
	785-MS04GMF	mSATA Card, 4GB MLC, RoHS
Wi-Fi	761-110090-000G	Wi-Fi kit
Power Cord	785-PWRD	Power cord, Standards (USA/EUR/CH), 1.8m, RoHS
Power Adapter	671-106002-102G	60W, 12V/5A
	671-106005-000G	60W, 19V/3.5A
Wall Mount	761-EC7000-000G	EC700 Wall Mount Kit, RoHS
VESA Mount	761-EC7000-100G	EC700 VESA Mount Kit, RoHS

► Packing List

• 1 EC700-BT system unit
• 6 mounting screws for Mini PCIe module
• 1 Quick Installation Guide
• 1 CD disk includes:
- Drivers / Manual

Assured Systems

Assured Systems is a leading technology company with over 1,500 regular clients in 80 countries, deploying over 85,000 systems to a diverse customer base in 12 years of business. We offer high-quality and innovative rugged computing, display, networking and data collection solutions to the embedded, industrial, and digital-out-of-home market sectors.

US

sales@assured-systems.com

Sales: +1 347 719 4508
Support: +1 347 719 4508

1309 Coffeen Ave
Ste 1200
Sheridan
WY 82801
USA

EMEA

sales@assured-systems.com

Sales: +44 (0)1785 879 050
Support: +44 (0)1785 879 050

Unit A5 Douglas Park
Stone Business Park
Stone
ST15 0YJ
United Kingdom

VAT Number: 120 9546 28
Business Registration Number: 07699660