

SBOX-2622

Intel® Core™ i7-1185G7E Processor with 2x LAN / 2x HDMI / 1x DVI-D / 4x COM / DC 9~36V Fanless Box PC

Features

- 11th Gen Intel® Core™ Processor i7-1185G7E
- Triple Display Output (2 x HDMI / DVI-D)
- 2 x M.2 Slots for Wi-Fi / WWAN / GPS Expansion
- Wide Range Operating Temperature -30 ~ 60°C
- 4 x RS-232 / 422 / 485
- 4 x DI / 4 x DO (5V/100mA)
- 9 ~ 36VDC Power Input



Introduction

The SBOX-2622 is powered by 11th Gen Intel® Core™ i7-1185G7E with supporting triple display output (2 x HDMI / DVI-D); it delivers high-performance computing and real-time capabilities for critical Industrial IoT deployment. The SBOX-2622 is equipped with the newest Intel® Iris® Xe Graphics, making it a perfect solution for Factory Automation, Service Robots (AMR/AGV), Cellular V2X, Smart Retail, and any AIoT / Industry 4.0 applications. The key features can tackle all outdoor digital applications and extreme weather conditions. In addition, the ultra slim height (50 mm) makes it ideally suited for digital signage or kiosks where the space is limited.

Specifications

System	
CPU	Intel® Core™ i7-1185G7E up to 2.8 GHz*
	Intel® Core™ i5-1145G7E up to 2.6 GHz*
	Intel® Core™ i3-1115G4E up to 3.0 GHz*
	Intel® Celeron® 6305E
*CPU TDP is configured at 15W as default setting.	
Memory	1 x DDR4 SO-DIMM up to 32 GB
Graphics	Intel® Iris® Xe Graphics (for Core™ i7 / i5 SKU) Intel® UHD Graphics (for i3 / Celeron® 6305E SKU)
LAN	1 x Intel® 2.5GbE supports vPro for Core™ i7 / i5 SKU 1 x Intel® GbE
Watchdog	1 ~ 255 Level Reset
TPM	2.0
I/O	
Serial Port	4 x RS-232/422/485
USB Port	2 x USB 2.0 and 2 x USB 3.2 Gen 2
LAN	2 x RJ-45 Ethernet (1 x 2.5GbE, 1 x GbE)
Video Port	2 x HDMI 2.0b / 1 x DVI-D* <i>*Single-Link cable only</i>
GPIO Port	4 x DI / 4 x DO (5V/100mA)
Audio	1 x MIC-IN and 1 x Line-OUT
Expansion Bus	1 x M.2 3042/52 Key B Slot for WWAN Modem 2 x SIM Card Slots
	1 x M.2 2230 Key E for Wi-Fi w/ Bluetooth Module
	1 x mPCIe Slot (USB 2.0 Interface) w/ 1 x SIM Card Slot
Antenna	5 x Pre-cut holes for External SMA Antenna

Software

Operating System	Windows 10 IoT 2021 LTSC 64-bit, Windows 11 IoT 64-bit Ubuntu 20.04.6/22.04 LTS 64-bit
------------------	---

Environmental

Operating Temp.	-30 ~ 60°C, Ambient w/ 0.6m/s Airflow
Storage Temp.	-40 ~ 85 °C
Relative Humidity	10% RH – 90% RH (Non-condensing)
Power Input	DC 9~36V Input w/ Reverse Polarity OCP and OVP Protection

Storage

Type	1 x SATA Connector for 2.5" SATA HDD/SSD 1 x M.2 2280 Key M Slot (supports NVMe or SATA SSD)
------	---

Qualification

Certifications	CE, FCC Class A
----------------	-----------------

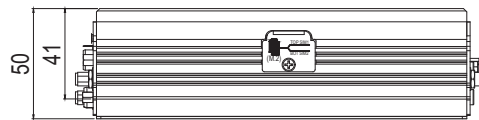
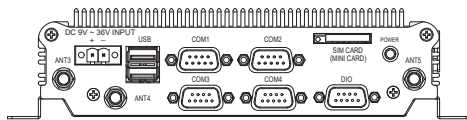
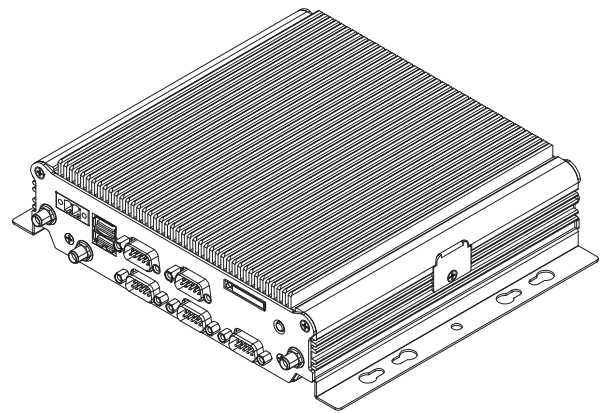
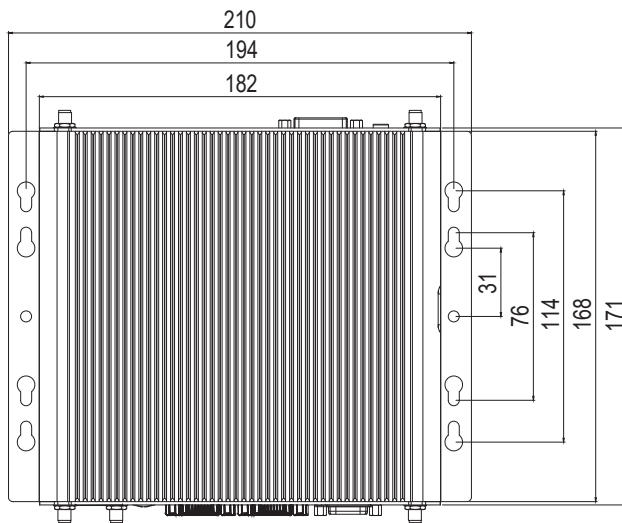
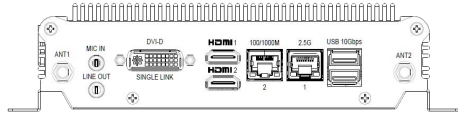
Mechanical

Construction	Aluminum Alloy
Mounting	Wall-mounting (optional VESA and DIN-rail mounting kit)
Weight	1750g
Dimensions	210 (L) x 171 (W) x 50 (H) mm (Wall mounting bracket included)

All specifications are subject to change without notice.

Dimensions

Unit : mm



Ordering Information

Part Number	SBOX-2622-i7, SBOX-2622-i5, SBOX-2622-i3, SBOX-2621-C1
Description	11th Gen Intel® Core™ Processors i7-1185G7E CPU w/ 2x LAN/ 2x HDMI 2.0b/ 1x DVI-D/ 4x COM/ DC 9-36V Input/ Fanless Box PC
State of Origin	Made in Taiwan

Optional Accessories

DRAM	DDR4 SO-DIMM 3200, 8GB-32GB (-40~85°C)
SATA SSD	M.2 2280 Key B+M SATA SSD TLC 64GB-1TB (-40~85°C)
NVMe SSD	M.2 2280 Key M NVMe TLC 256GB-1TB (-40~85°C)
Wi-Fi / Bluetooth	M.2 2230 Key A+E Module
5G / LTE	M.2 3042/3052 Key B Module
Mounting kit	DIN Rail / VESA Kit
CAN Bus	mPCIe CAN Bus Module

All specifications are subject to change without notice.

Assured Systems

Assured Systems is a leading technology company with over 1,500 regular clients in 80 countries, deploying over 85,000 systems to a diverse customer base in 12 years of business. We offer high-quality and innovative rugged computing, display, networking and data collection solutions to the embedded, industrial, and digital-out-of-home market sectors.

US

sales@assured-systems.com

Sales: +1 347 719 4508
Support: +1 347 719 4508

1309 Coffeen Ave
Ste 1200
Sheridan
WY 82801
USA

EMEA

sales@assured-systems.com

Sales: +44 (0)1785 879 050
Support: +44 (0)1785 879 050

Unit A5 Douglas Park
Stone Business Park
Stone
ST15 0YJ
United Kingdom

VAT Number: 120 9546 28
Business Registration Number: 07699660