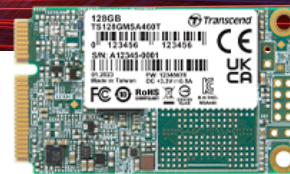




Embedded Solutions



mSATA SSDs

MSA460T & MSA460T-I

Featuring the Serial ATA III 6Gb/s interface and built around a powerful controller, Transcend's MSA460T non-DRAM mSATA SSD features the latest 112-layer 3D NAND technology for high storage efficiency. In addition, the 30µ" gold finger PCB, Corner Bond technology, and anti-sulfur resistors guarantee its reliability in harsh conditions. The MSA460T is also 100% chamber tested in-house for extended operating temperatures of -20°C~75°C. The compact mSATA form factor is just one-eighth the size of a standard 2.5" SSD, making it perfect for use in space-constricted portable devices such as Ultrabooks, tablet PCs, and slim servers.

Transcend also offers the MSA460T-I with wide temperature (-40°C ~ 85°C) capabilities to ensure sustained functionality, enhanced endurance and optimal reliability in mission-critical applications.

Hardware Features

- Compliant with JEDEC MO-300A
- Anti-sulfur technology implemented to prevent sulfurization in the environment
- 30µ" PCB gold finger
- Key components fortified by default with Corner Bond technology
- Endurance: 3K P/E cycles (Program/Erase cycles) guaranteed

Firmware Features

- Supports S.M.A.R.T. function to conduct health monitoring, analysis, and reporting for storage devices
- Advanced Global Wear-Leveling and Block management for reliability
- Built-in LDPC ECC (Error Correction Code) functionality
- Dynamic thermal throttling

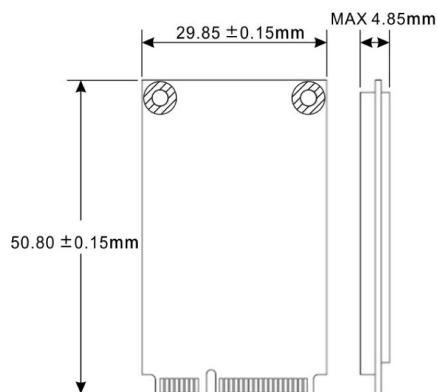
Ordering Information

64GB	TS64GMSA460T TS64GMSA460T-I
128GB	TS128GMSA460T TS128GMSA460T-I
256GB	TS256GMSA460T TS256GMSA460T-I
512GB	TS512GMSA460T TS512GMSA460T-I
1TB	TS1TMSA460T TS1TMSA460T-I

Specifications

Appearance	Dimensions	50.8 mm x 29.85 mm x 4.85 mm (2.0" x 1.18" x 0.19")
	Weight	8 g (0.28 oz)
	Form Factor	mSATA (MO-300A)
Interface	Bus Interface	SATA III 6Gb/s
Storage	Capacity	64 GB / 128 GB / 256 GB / 512 GB / 1 TB
	Flash Type	112-layer 3D NAND flash
Operating Environment	Operating Voltage	3.3V±5%
	Operating Temperature	Extended Temp. -20°C (-4°F) ~ 75°C (167°F)
		Wide Temp. -40°C (-40°F) ~ 85°C (185°F)
	Storage Temperature	-55°C (-67°F) ~ 85°C (185°F)
	Humidity	5% ~ 95%
	Shock	1500 G, 0.5 ms, 3 axis
	Vibration (Operating)	20 G (peak-to-peak), 7 Hz ~ 2000 Hz (frequency)
Power	Power Consumption (Operation)	1.0 watt(s)
	Power Consumption (Sleep)	0.2 watt(s)
Performance	Sequential Read/Write (CrystalDiskMark)	Read: up to 560 MB/s Write: up to 490 MB/s
	4K Random Read/Write (IOMeter)	Read: up to 30,000 IOPS Write: up to 80,000 IOPS
	Mean Time Between Failures (MTBF)	3,000,000 hour(s)
	Terabytes Written (TBW)	up to 245 TBW
	Drive Writes Per Day (DWPD)	1.75 (3 yrs)
Warranty	Certificate	CE / FCC / BSMI / NCC / UKCA
	Warranty	Three-year Limited Warranty

Mechanical Dimensions



Product specifications are subject to change without notice. Pictures shown may differ from actual products. Total accessible capacity varies depending on operating environment. Due to the complexity and variety of industrial applications, Transcend cannot guarantee 100% compatibility with all platforms and under all scenarios. For special applications and environments, it is strongly suggested that you contact Transcend beforehand for clarification.

Assured Systems

Assured Systems is a leading technology company with over 1,500 regular clients in 80 countries, deploying over 85,000 systems to a diverse customer base in 12 years of business. We offer high-quality and innovative rugged computing, display, networking and data collection solutions to the embedded, industrial, and digital-out-of-home market sectors.

US

sales@assured-systems.com

Sales: +1 347 719 4508
Support: +1 347 719 4508

1309 Coffeen Ave
Ste 1200
Sheridan
WY 82801
USA

EMEA

sales@assured-systems.com

Sales: +44 (0)1785 879 050
Support: +44 (0)1785 879 050

Unit A5 Douglas Park
Stone Business Park
Stone
ST15 0YJ
United Kingdom

VAT Number: 120 9546 28
Business Registration Number: 07699660