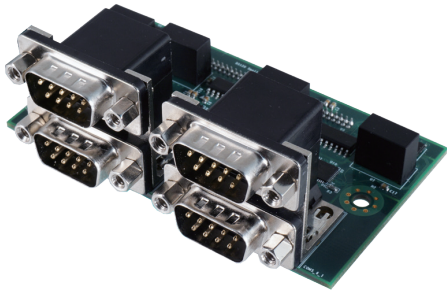


# CMI-ICOM01

CMI Module with 4x Electrical Isolated RS-232 Serial Ports



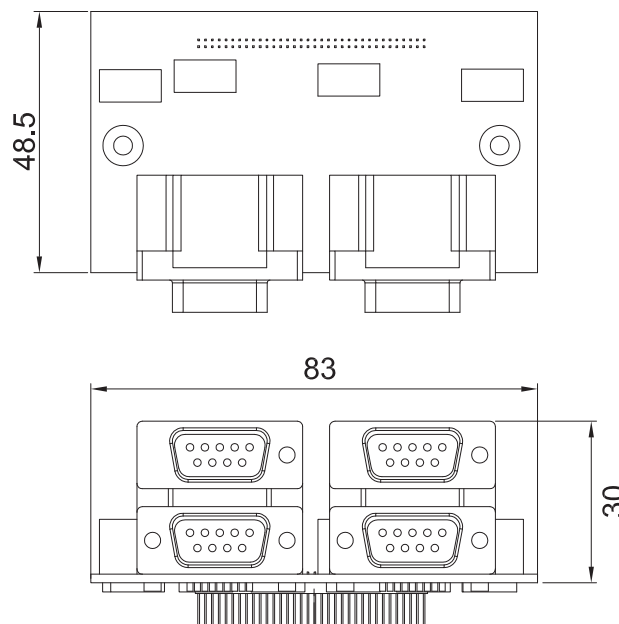
- CMI (Combined Multiple I/O) Technology
- Serial Standards : RS-232
- Electrical Isolated Serial Ports
- Supports up to 921.6 kbps



## Specifications

Interface	CMI (Combined Multiple I/O) Interface
Serial Port	4x RS-232
Connector Type	DB9
Electrical Isolation	2.75KV rms
Baud Rate	921.6 Kbps
Dimension ( W x D x H )	83.1 x 48.5 x 30 mm

## Dimensions



Unit: mm

## Ordering Information

### Available Models

<b>CMI-ICOM01</b>	CMI Module with 4x Electrical Isolated RS-232 Serial Ports
-------------------	--

### Package Check List

- CMI Module x1
- Screw Pack x1

## Compatible List

Model No.	CMI-ICOM01
DS-1200	V
DS-1201	V
DS-1202	V
DS-1300	V
DS-1301	V
DS-1302	V
DS-1400	V
DS-1401	V
DS-1402	V

## Assured Systems

Assured Systems is a leading technology company with over 1,500 regular clients in 80 countries, deploying over 85,000 systems to a diverse customer base in 12 years of business. We offer high-quality and innovative rugged computing, display, networking and data collection solutions to the embedded, industrial, and digital-out-of-home market sectors.

### US

[sales@assured-systems.com](mailto:sales@assured-systems.com)

Sales: +1 347 719 4508  
Support: +1 347 719 4508

1309 Coffeen Ave  
Ste 1200  
Sheridan  
WY 82801  
USA

### EMEA

[sales@assured-systems.com](mailto:sales@assured-systems.com)

Sales: +44 (0)1785 879 050  
Support: +44 (0)1785 879 050

Unit A5 Douglas Park  
Stone Business Park  
Stone  
ST15 0YJ  
United Kingdom

VAT Number: 120 9546 28  
Business Registration Number: 07699660