

FM12E-VML

12.1" Intel Atom® x6425E Vehicle Mounted Computer Defence Panel PC



KEY FEATURES

- Intel® Elkhart lake x6425E Processor
- 12.1" 1024 x 768 Panel with PCAP touch screen in vehicle computer
- IP65 waterproof and dustproof
- Wide power input 9-36V DC with ignition
- Wide range operating temperature
- Support VESA Mount
- IO ports with Defence grade 38999 connectors
- Compliant MIL-STD 810H/ MIL-STD 461F

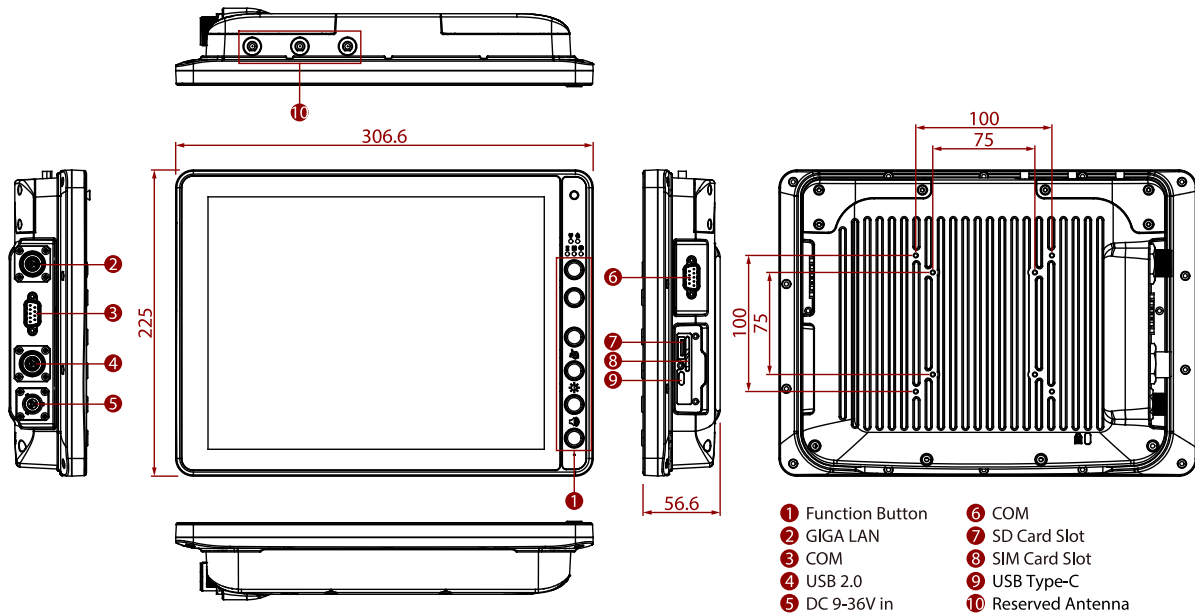


SPECIFICATIONS

Display			
Resolution	1024x768	Size	12.1 inches
Contrast Ratio	1000:1	Panel Brightness	400 nits 800 nits(Optional)
View Angles	89,89,89,89	Type	Projected Capacitive Multi Touch
System Specification			
Processor	Intel Elkhart Lake x6425E Processor , 2.0 GHz	Memory	4GB SODIMM DDR4-3200 8GB SODIMM DDR4-3200 (Optional)
Storage	128GB M.2 SSD 256GB M.2 SSD (Optional)	Security	TPM 2.0
Operating System	Windows 10 IoT Enterprise	WLAN	Support
BT	Support	WWAN	4G/LTE (Optional)
GNSS	GPS/GLONASS (Optional)	Sensors	G-Sensor, Light Sensor ,Temp Sensor
Camera			
Front Camera	2MP Camera		
Environment			
Operating Humidity	5% to 90% RH, Non-Condensing	Operating Temperature	-30°C to 50°C
Storage Temperature	-30°C to 60°C	Shock	MIL-STD-810H Method 516.8 Procedure I
Vibration	MIL-STD-810H Method 514.8 Procedure I	IP rating	IP65 Certified, Waterproof and Dustproof
Impact	Support EN62262 IK07 Rating	ESD	Compliant with EN 61000-4-2, enhanced ESD to ±12kV direct & ±15kV air
Certification			
Certification	CE, FCC, UL60950-1, EN60950-1, PTCRB, FCC (Electromagnetic Emissions), IC (ICES-003)		
Compliance			
MIL-STD 461E/F	RE101 / RE102 CE101 / CE102 with EMI Glass / Touch(Optional) RS101 / RS 103 CS101 / CS 106 / CS 109 / CS 114 / CS 115 / CS 116		

Control	
Button	1 x Power Button, 5 x Function Button (Programmable Function Key Configured by Winset)
IO Ports	
USB Port	1 x USB Type-C 1 x USB 2.0 Type-A (MIL-DTL-38999/3 connector)
SD Card Slot	1 x Micro SD Card Slot
LAN	1 x Gigabit LAN port (MIL-DTL-38999/1 connector)
Serial Port	2 x RS232/422/485 (Default RS232)
SIM Card Slot	1 x Dual-Nano SIM Card Slot
Indicator	4 x LED Indicator (WLAN, UPS battery, HDD, Heater)
Mechanical	
Dimension	306.6 x 225 x 56.6 mm
Mounting	RAM Mount/ VESA Mount
Weight	2.4kg
Cooling System	Fanless Design
Security Function	
SOTI MobiControl	SOTI MobiControl Compliance
Accessory	
Accessory	1 x Quick Start Guide 1 x Power Cable (MIL-DTL-38999/1) 1 x USB Cable (MIL-DTL-38999/3) 1 x LAN Cable (MIL-DTL-38999/1) 1 x 84W Power Adapter 1 x Power converter Cable
Optional Accessory	1.8M RS232 Cable GPS & LTE 2M Combo Antenna (VM240) GPS & LTE 5M Combo Antenna (VM9C) GPS & LTE Combo Antenna (VM10S) WWAN Antenna GPS Antenna
Power	
Battery	400mAh UPS Battery for 20 minutes backup (Optional)
Power Rating	9V~36V with ignition control (MIL-DTL-38999/1 connector)

DIMENSIONS UNIT:MM



NOTE

1. Total usable memory will be less dependent upon actual system configuration.
2. SOTI is available upon request.
3. Length measurements do not include protrusions. Weight varies with options.
4. Measured at dimming LCD brightness. Varies depending on the usage conditions, or when an external device is attached.
5. Accessories may vary depending on your configuration.
6. This is a simplified drawing and some components are not marked in detail.
7. The product shown in this datasheet is a standard model. For diagrams that contain customized or optional I/O, please contact the Winmate Sales Team for more information.

Assured Systems

Assured Systems is a leading technology company with over 1,500 regular clients in 80 countries, deploying over 85,000 systems to a diverse customer base in 12 years of business. We offer high-quality and innovative rugged computing, display, networking and data collection solutions to the embedded, industrial, and digital-out-of-home market sectors.

US

sales@assured-systems.com

Sales: +1 347 719 4508
Support: +1 347 719 4508

1309 Coffeen Ave
Ste 1200
Sheridan
WY 82801
USA

EMEA

sales@assured-systems.com

Sales: +44 (0)1785 879 050
Support: +44 (0)1785 879 050

Unit A5 Douglas Park
Stone Business Park
Stone
ST15 0YJ
United Kingdom

VAT Number: 120 9546 28
Business Registration Number: 07699660